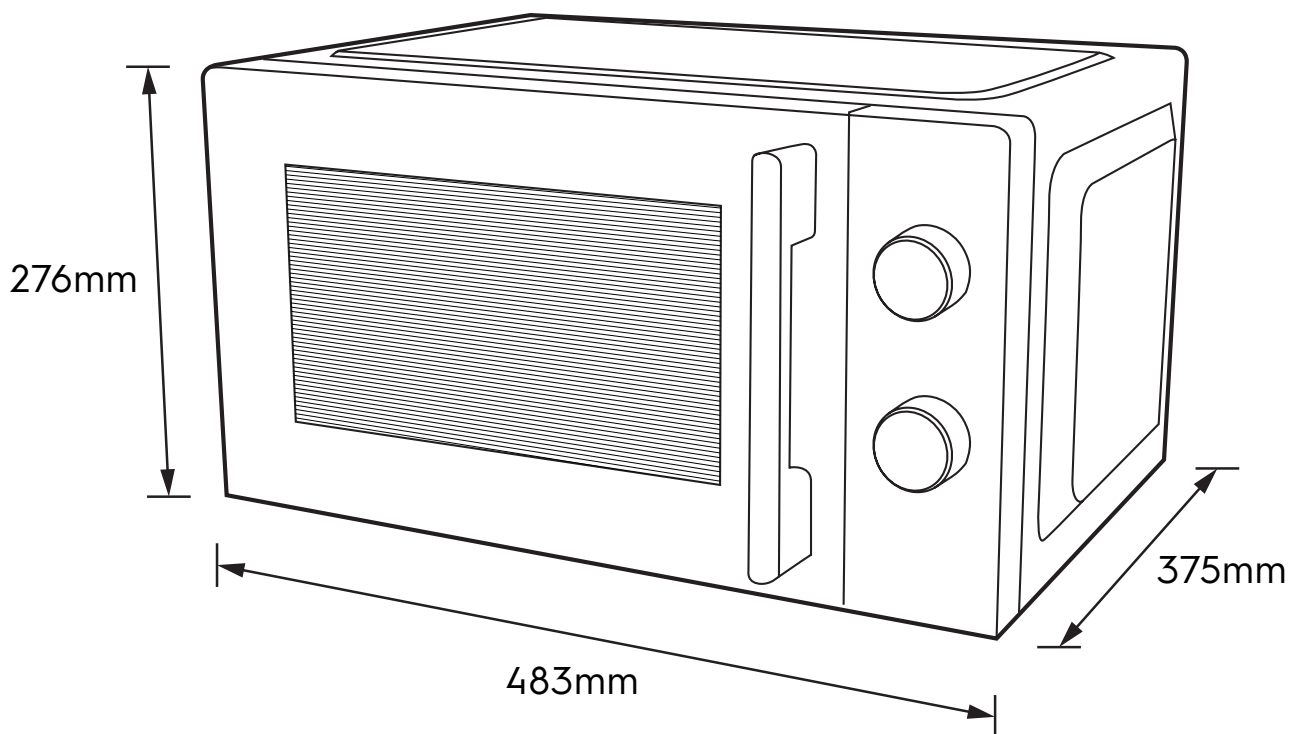


Dimension Guide

Freestanding Microwave

Model:
EMG23K22B_VN

| Dimensions | | | |
|--------------|-------|--------|-------|
| | width | height | depth |
| Product (mm) | 483 | 276 | 375 |



Please note! Dimensions to be used as a guide only. All customers MUST refer to the user manual supplied with the product for detailed installation instructions.

© 2021 Electrolux S.E.A PTE. LTD. E_DIM_EMG23K22B_VN_Oct21