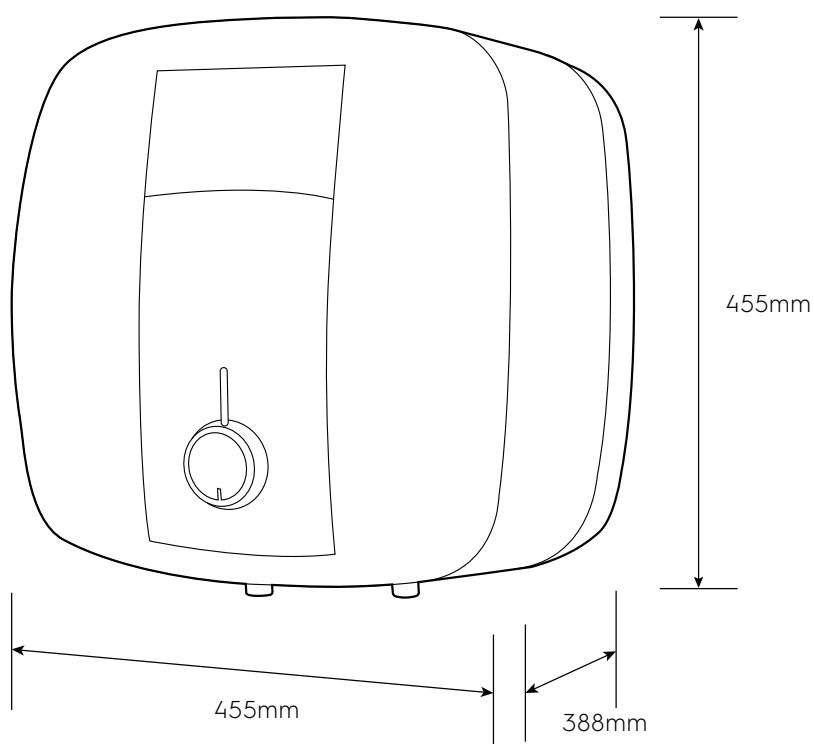


Dimension Guide

Electric Storage Water Heater

Model:
EWS302DX-DWM

Dimensions			
	width	height	depth
Product (mm)	455	455	388



Please note! Dimensions to be used as a guide only. All customers MUST refer to the user manual supplied with the product for detailed installation instructions.
© 2021 Electrolux S.E.A PTE. LTD. E_DIM_EWS302DX-DWM_Jan21