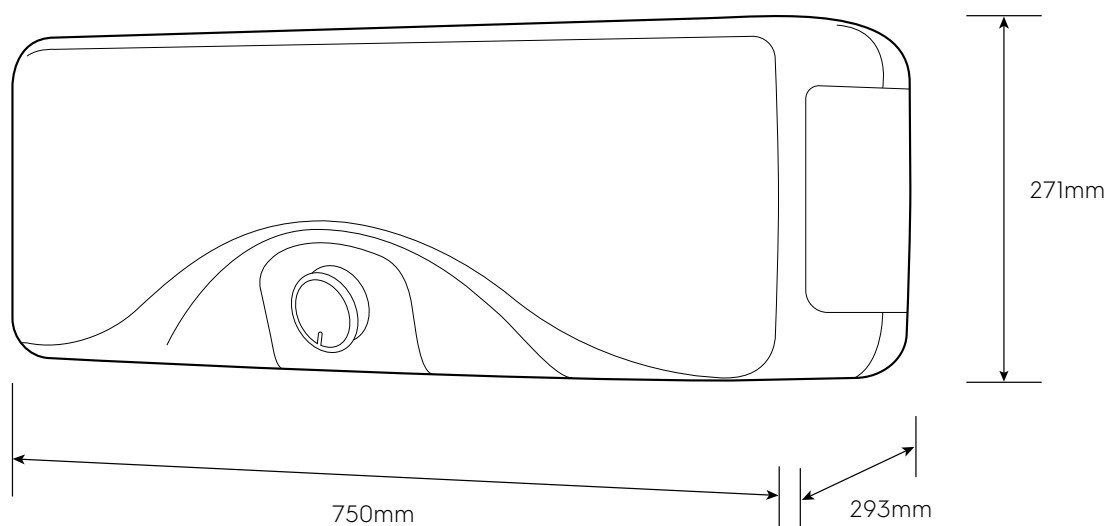


# Dimension Guide

## Electric Storage Water Heater

**Model:**  
EWS202DX-DWM

Dimensions			
	width	height	depth
Product (mm)	750	271	293



**Please note!** Dimensions to be used as a guide only. All customers MUST refer to the user manual supplied with the product for detailed installation instructions.  
© 2021 Electrolux S.E.A PTE. LTD. E\_DIM\_EWS202DX-DWM\_Feb21