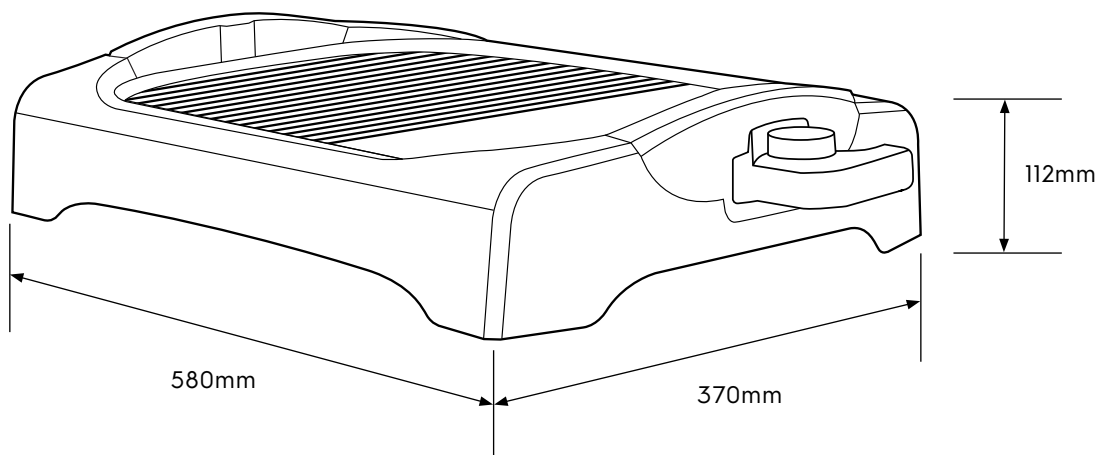


# Dimension Guide

## Freestanding Electric Grill

**Model:**  
ETTGI-40BK

Dimensions			
	width	height	depth
Product (mm)	580	112	370



**Please note!** Dimensions to be used as a guide only. All customers MUST refer to the user manual supplied with the product for detailed installation instructions.  
© 2022 Electrolux S.E.A PTE. LTD. E\_DIM\_ETTGI-40BK\_Aug22