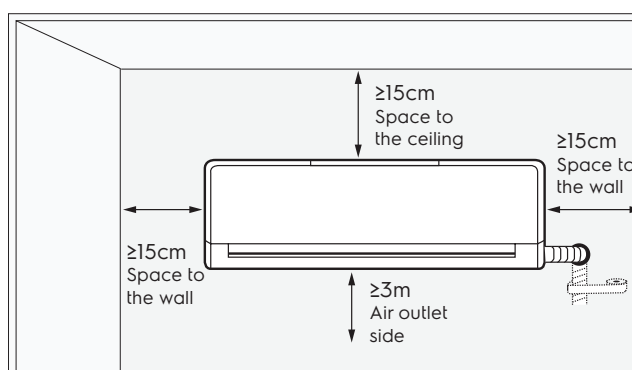
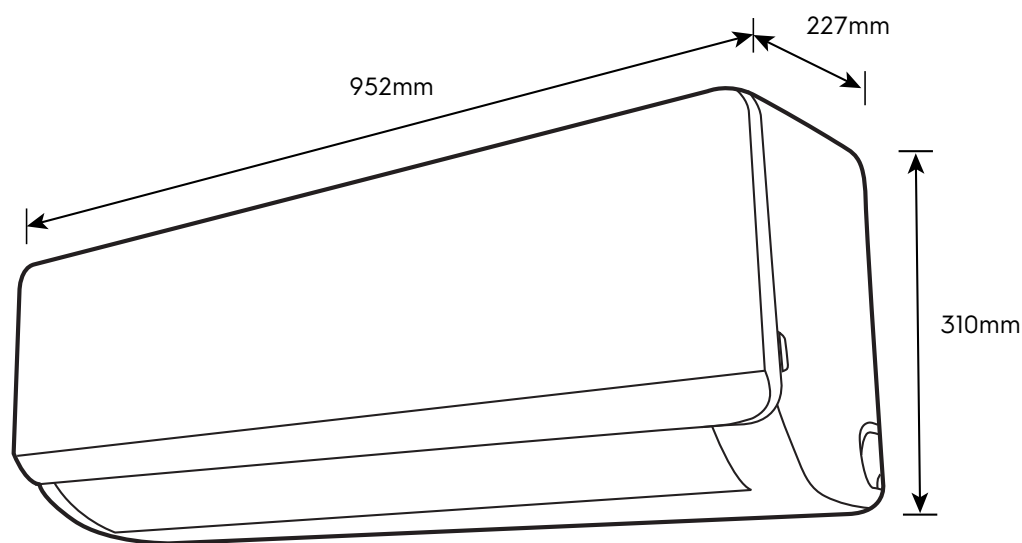


# Dimension Guide

## Inverter Air Conditioner

**Model:**  
ESV18CRR-C3

Dimensions			
	width	height	depth
Product (mm)	952	310	227



**Please note!** Dimensions to be used as a guide only. All customers MUST refer to the user manual supplied with the product for detailed installation instructions.  
© 2022 Electrolux S.E.A PTE. LTD. E\_DIM\_ESV18CRR-C3\_Feb22