

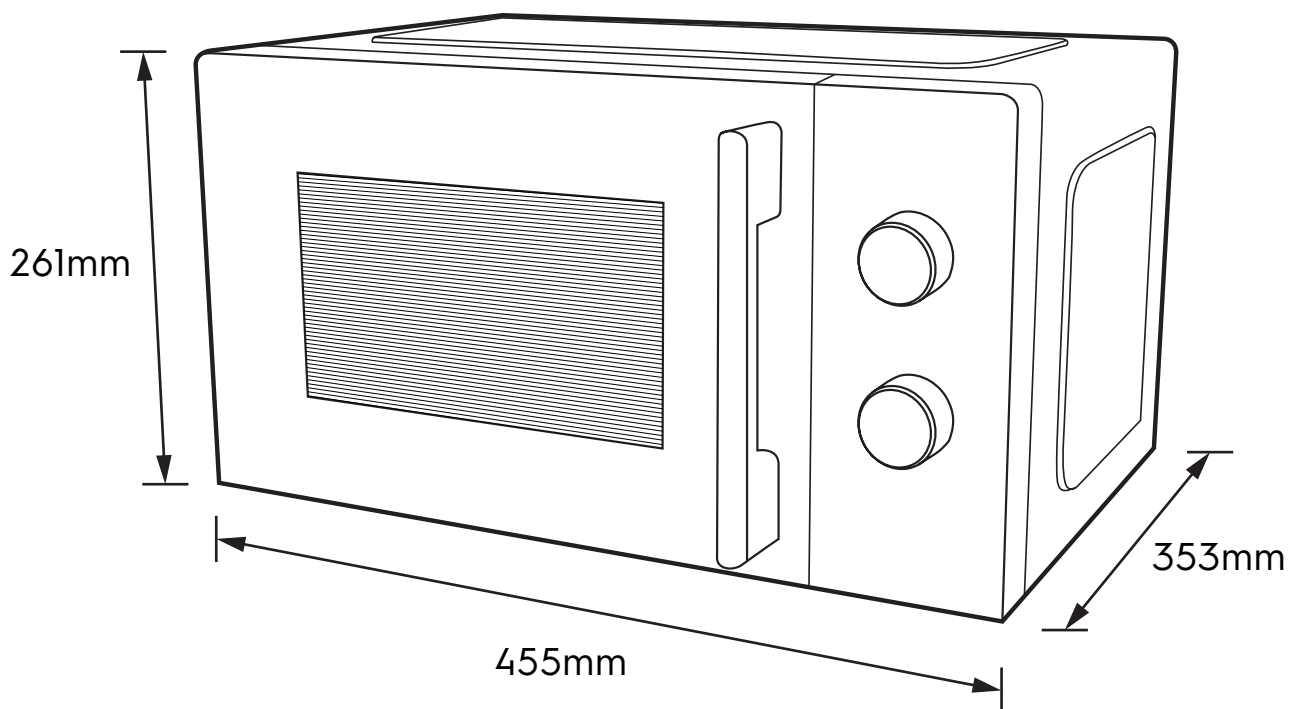
Dimension Guide

Freestanding Microwave

Model:
EMM20K22W_VN

Dimensions

	width	height	depth
Product (mm)	455	261	353



Please note! Dimensions to be used as a guide only. All customers MUST refer to the user manual supplied with the product for detailed installation instructions.

© 2021 Electrolux S.E.A PTE. LTD. E_DIM_EMM20K22W_VN_Oct21