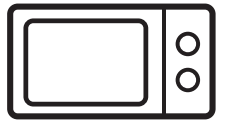


EMS3085X
EMS3087X



EN Free-standing Microwave Oven
TH เต้าไมโครเวฟ ชนิดตั้งโต๊ะ
VN Lò Vi Sóng
ID Free-standing Microwave Oven
中文 独立式微波炉

instruction manual
คู่มือการใช้งาน
sách hướng dẫn sử dụng
petunjuk penggunaan
使用说明书



Electrolux

CONTENT

Precautions to Avoid Possible Exposure to Excessive Microwave Energy	2
Important Safety Instructions	2
Installation Guide	4
Radio Interference	6
Before Calling For Service	7
Cooking Utensils Guide	8
EMS3085X	
Product Diagram	9
Control Panel	10
Operation Instructions	11
Auto menu	16
EMS3087X	
Product Diagram	17
Control Panel	18
Operation Instructions	19
Auto menu	25
Specifications	26
Cleaning and Care	27
Consumer care center	28

Precautions to Avoid Possible Exposure to Excessive Microwave Energy

1. Do not attempt to operate this oven with the door open since open-door operation can result in harmful exposure to microwave energy. It is important not to defeat or tamper with the safety interlocks.
2. Do not place any object between the oven front face and the door or allow soil or cleaner residue to accumulate on sealing surfaces.
3. Do not operate the oven if it is damaged. It is very important that the oven door close properly and that there is no damage to the
 - a) Door (including any dents),
 - b) Hinges and latches (broken or loosened),
 - c) Door seals and sealing surfaces.
4. The oven should not be adjusted or repaired by anyone except qualified service personnel.

Important Safety Instructions

When using electrical appliance basic safety precautions should be followed, including the following:

WARNING!--To reduce the risk of burns, electric shock, fire, injury to persons or exposure to excessive microwave energy:

1. Read all instructions before using the appliance.
2. Use this appliance only for its intended use as described in the manual. Do not use corrosive chemicals or vapors in this appliance. This type of oven is specifically designed to heat, cook or dry food. It is not designed for industrial or laboratory use.
3. Do not operate the oven when empty.
4. Do not operate this appliance if it has a damaged cord or plug, if it is not working properly, or if it has been damaged or dropped. If the supply cord is damaged, it must be replaced by the manufacturer or its service agent or a similarly qualified person in order to avoid a hazard.
5. **WARNING!**--When the appliance is operated in the combination mode, children should only use the oven under adult supervision due to the temperatures generated.
6. **WARNING!**--Only allow children to use the oven without supervision when adequate instructions have been given so that the child is able to use the oven in a safe way and understands the hazards of improper use.
7. To reduce the risk of fire in the oven cavity:

When heating food in plastic or paper container, check the oven frequently to the possibility of ignition.

 - Remove wire twist-ties from paper or plastic bags before placing bag in oven.
 - If smoke is observed, switch off or unplug the appliance and keep the door closed in order to stifle any flames.
 - Do not use the cavity for storage purposes. Do not leave paper products, cooking utensils, or food in the cavity when not in use.

8. **WARNING!**--Liquid or other food must not be heated in sealed containers since they are liable to explode.
9. Microwave heating of beverage can result in delayed eruptive boiling, therefore care has to be taken when handle the container.
10. Do not fry food in the oven. Hot oil can damage oven parts and utensils and even result in skin burns.
11. Eggs in their shell and whole hard-boiled eggs should not be heated in microwave ovens since they may explode even after microwave heating has ended.
12. Pierce foods with heavy skins such as potatoes, whole squashes, apples and chestnuts before cooking.
13. The contents of feeding bottles and baby jars should be stirred or shaken and the temperature should be checked before serving in order to avoid burns.
14. Cooking utensils may become hot because of heat transferred from the heated food. Potholders may be needed to handle the utensil.
15. Utensils should be checked to ensure that they are suitable for use in microwave oven.
16. **WARNING!**--It is hazardous for anyone other than a trained person to carry out any service or repair operation which involves the removal of any cover which gives protection against exposure to microwave energy.
17. This product is a Group 2 Class B ISM equipment. The definition of Group 2 which contains all ISM (Industrial, Scientific and Medical) equipment in which radio-frequency energy is intentionally generated and/or used in the form of electromagnetic radiation for the treatment of material, and spark erosion equipment. For Class B equipment is equipment suitable for use in domestic establishments and in establishments directly connected to a low voltage power supply network which supplies buildings used for domestic purpose.
18. This appliance is not intended for use by persons (including children) with reduced physical, sensory or mental capabilities, or lack of experience and knowledge, unless they have been given supervision or instruction concerning use of the appliance by a person responsible for their safety.
19. Children should be supervised to ensure that they do not play with the appliance.
20. The microwave oven is only used in freestanding.
21. **WARNING!**--Do not install oven over a range cooktop or other heat-producing appliance. if installed could be damaged and the warranty would be avoid .
22. The accessible surface may be hot during operation.
23. The microwave oven shall not be placed in a cabinet.
24. The door or the outer surface may get hot when the appliance is operating.
25. The temperature of accessible surfaces may be high when the appliance is operating.
26. The appliance shall be placed against a wall.

27. **WARNING!** If the door or door seals are damaged, the oven must not be operated until it has been repaired by a competent person.
28. The instructions shall state that appliances are not intended to be operated by means of an external timer or separate remote-control system.
29. The microwave oven is for household use only and not for commercial use.
30. Never remove the distance holder in the back or on the sides, as it ensures a minimum distance from the wall for air circulation.
31. Please secure the turn table before you move the appliance to avoid damages.
32. **CAUTION!** It is dangerous to repair or maintain the appliance by no other than a specialist because under these circumstances the cover has to be removed which assures protection against microwave radiation. This applies to changing the power cord or the lighting as well. Send the appliance in these cases to our service centre.
33. The microwave oven is intended for defrosting, cooking and steaming of food only.
34. Use gloves if you remove any heated food.
35. Caution! Steam will escape, when opening lids or wrapping foil.
36. This appliance can be used by children aged from 8 years and above and persons with reduced physical, sensory or mental capabilities or lack of experience and knowledge if they have been given supervision or instruction concerning use of the appliance in a safe way and understand the hazards involved. Children shall not play with the appliance. Cleaning and user maintenance shall not be made by children unless they are aged from 8 years and above and supervised.
37. If smoke is emitted, switch off or unplug the appliance and keep the door closed in order to stifle.
38. Prohibit to put the whole egg for cooking under any cooking mode.

Installation Guide

1. Make sure that all the packing materials are removed from the inside of the door.
2. **WARNING!** Check the oven for any damage, such as misaligned or bent door, damaged door seals and sealing surface, broken or loose door hinges and latches and dents inside the cavity or on the door. If there is any damage, do not operate the oven and contact qualified service personnel.
3. This microwave oven must be placed on a flat, stable surface to hold its weight and the heaviest food likely to be cooked in the oven.
4. Do not place the oven where heat, moisture, or high humidity are generated, or near combustible materials.
5. For correct operation, the oven must have sufficient airflow. Allow 20cm of space above the oven, 10cm at back and 5cm at both sides. Do not cover or block any openings on the appliance. Do not remove feet.
6. Do not operate the oven without glass tray, roller support, and shaft in their proper positions.
7. Make sure that the power supply cord is undamaged and does not run under the oven or over any hot or sharp surface.
8. The socket must be readily accessible so that it can be easily unplugged in an emergency.
9. Do not use the oven outdoors.

Grounding Instructions

This appliance must be grounded. This oven is equipped with a cord having a grounding wire with a grounding plug. It must be plugged into a wall receptacle that is properly installed and grounded. In the event of an electrical short circuit, grounding reduces risk of electric shock by providing an escape wire for the electric current. It is recommended that a separate circuit serving only the oven be provided. Using a high voltage is dangerous and may result in a fire or other accident causing oven damage.

WARNING! Improper use of the grounding plug can result in a risk of electric shock.

Note:

1. If you have any questions about the grounding or electrical instructions, consult a qualified electrician or service person.
2. Neither the manufacturer nor the dealer can accept any liability for damage to the oven or personal injury resulting from failure to observe the electrical connection procedures.

The wires in this cable main are colored in accordance with the following code:

Green and Yellow = EARTH

Blue = NEUTRAL

Brown = LIVE

Radio Interference

Operation of the microwave oven can cause interference to your radio, TV, or similar equipment. When there is interference, it may be reduced or eliminated by taking the following measures:

1. Clean door and sealing surface of the oven.
2. Reorient the receiving antenna of radio or television.
3. Relocate the microwave oven with respect to the receiver.
4. Move the microwave oven away from the receiver.
5. Plug the microwave oven into a different outlet so that microwave oven and receiver are on different branch circuits.

Before Calling For Service

Before asking for service, please check each item below:

- Check to ensure the oven is plugged in securely. If not, remove the plug from the outlet, wait 10 seconds, and plug it in again securely.
- Check for a blown circuit fuse or a tripped main circuit breaker. If these seem to be operating properly, test the outlet with another appliance.
- Check to ensure the control panel is programmed correctly and the timer is set.
- Check to ensure the door is securely closed, engaging the door lock system. If the door is not properly closed, the microwave energy will not flow inside.

IF NONE OF THE ABOVE RECTIFIES THE SITUATION, THEN CONTACT A QUALIFIED TECHNICIAN. DO NOT TRY TO ADJUST OR REPAIR THE OVEN YOURSELF.

Cooking Techniques

1. Arrange food carefully. Place thickest areas towards outside of dish.
2. Watch cooking time. Cook for the shortest amount of time indicated and add more as needed. Food severely overcooked can smoke or ignite.
3. Cover foods while cooking. Covers prevent spattering and help foods to cook evenly.
4. Turn foods over once during microwave cooking to speed cooking of such foods as chicken and hamburgers. Large items like roasts must be turned over at least once.
5. Rearrange foods such as meatballs halfway through cooking both from top to bottom and from the center of the dish to the outside.

Cooking Utensils Guide

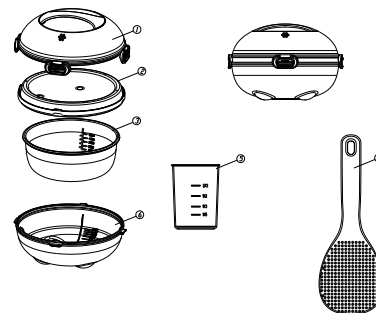
1. The ideal material for a microwave utensil is transparent to microwave, it allows energy to pass through the container and heat the food.
2. Microwave cannot penetrate metal, so metal utensils or dishes with metallic trim should not be used.
3. Do not use recycled paper products when microwave cooking, as they may contain small metal fragments which may cause sparks and/or fires.
4. Round /oval dishes rather than square/oblong ones are recommend, as food in corners tends to overcook.
5. Narrow strips of aluminum foil may be used to prevent overcooking of exposed areas. But be careful don't use too much and keep a distance of 1 inch (2.54cm) between foil and cavity.

The list below is a general guide to help you select the correct utensils.

Cookware	Microwave	Grill	Convection	Combination*
Heat-Resistant Glass	Yes	Yes	Yes	Yes
Non Heat-Resistant Glass	No	No	No	No
Heat-Resistant Ceramics	Yes	Yes	Yes	Yes
Microwave-Safe Plastic Dish	Yes	No	No	No
Kitchen Paper	Yes	No	No	No
Metal Tray (optional)	No	Yes	Yes	No
Metal Rack	No	Yes	Yes	No
Aluminum Foil & Foil Containers	No	Yes	Yes	No
Steam Pot (optional)	Yes	No	No	No

Combination: applicable for both "microwave + grill", and "microwave + convection" cooking.

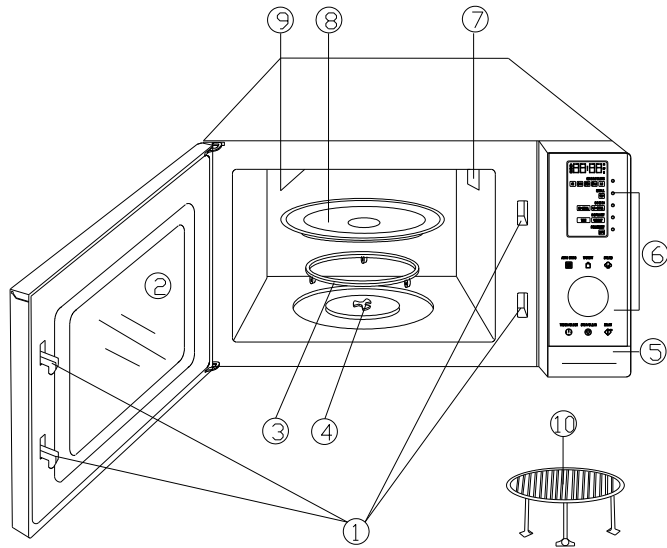
Accessory (Optional)



1. Cover
2. Plate
3. Inner pot
4. Rice spoon
5. Measuring Cup
6. Base pot

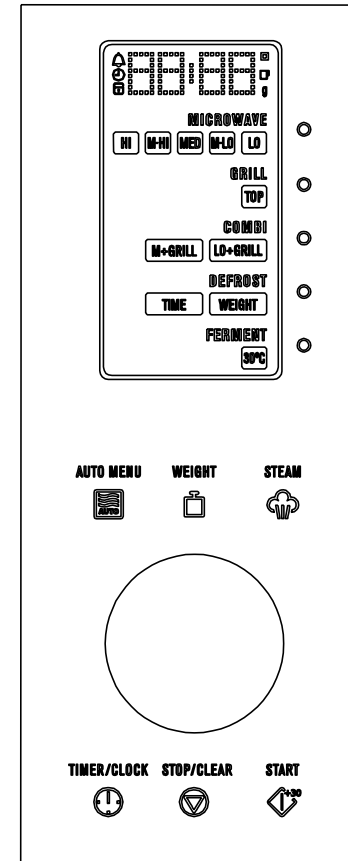
Product Diagram

EMS3085X



- ① Door Safety Lock System
- ② Oven Window
- ③ Roller Ring
- ④ Shaft
- ⑤ Door Release Button
- ⑥ Control Panel
- ⑦ Wave Guide (Please do not remove the mica plate covering the wave guide)
- ⑧ Glass Turntable
- ⑨ Grill Heater
- ⑩ Metal Rack

Control Panel



- **DISPLAY**
Cooking time, power, indicators and clock time are displayed.
- **MICROWAVE**
Use to select microwave power level.
- **COMBI**
Use to select microwave and grill combination cooking temperature.
- **GRILL**
Use to set grill cooking.
- **DEFROST**
Use to set time or weight defrost program.
- **FERMENT**
Use to set ferment program.
- **AUTO MENU**
Use to set auto menu cooking.
- **WEIGHT**
Use to set food weight
- **STEAM**
Use to set steam menu cooking.
- **STOP/CLEAR**
Use to pause a cooking, cancel all settings or set child lock.
- **TIMER/ CLOCK**
Use to set the oven clock and kitchen timer.
- **DIAL**
Use to set time or select food weight.
- **START**
Use to start the oven or set quick start program.

Operation Instructions

- During cooking, if press STOP/CLEAR button once or open the door, the program will be paused, then press START button to resume, but if press STOP/CLEAR button twice, the program will be canceled.
- After ending cooking, the system will sound beeps to remind user every two minutes until user press STOP/CLEAR button or open the door.

Setting Clock

This is a 24 hour clock. During cooking, the current time can be seen by touching TIMER/CLOCK pad twice.

1. Touch TIMER/CLOCK button twice.
2. Turn dial to set the hour digit.
3. Touch TIMER/CLOCK button to confirm.
4. Turn dial to set the minute digit.
5. Touch TIMER/CLOCK button again to confirm.

Setting Kitchen Timer

You could set the oven timer to remind you the cooking time. The longest time you can set is 95 minutes.

Suppose you want to set the kitchen timer for 30 minutes:

1. Press TIMER/CLOCK button once.
2. Rotate the digital dial to set 30:00.
3. Press START button to confirm.

Note: 1. If you omit step 2, the timer will count time from 0:00 to 95 : 00.
 2. When the timer is counting, you can press TIMER/CLOCK to see the timer.
 3. When setting timer in standby mode, the display shows timer, and you can set cooking program. If press STOP/CLEAR button once, the counting will be paused, then press START button to resume, but if press STOP/CLEAR button twice, the counting will be canceled. During cooking, the timer can be canceled.

Microwave Cooking

1. Touch MICROWAVE button repeatedly to select microwave power level.

Power Level	100%	80%	60%	40%	20%
Display	HI	M-HI	MED	M-LO	L0

2. Turn dial to enter cooking time. The longest time is 95 minutes.
3. Touch START button.

Note: The new power level will remain whenever you touch MICROWAVE until you reset it or cut the power.

Grill Cooking

Grill cooking is particularly useful for thin slices of meat, steaks, chops, kebabs, sausages and pieces of chicken. The longest cooking time is 95 minutes.

1. Touch GRILL button once.
2. Turn dial to enter cooking time.
3. Touch START button.

Grill +Microwave Cooking

The maximum cooking time here is 95 minutes.

Suppose you want to set combination cooking for 25 minutes.

1. Open the door and place the food into the oven, close it.
2. Press COMBI button once or twice.

Press COMBI pad	Combination	Cooking time	
		Microwave	Grill
once	M+GRILL	30%	70%
twice	L0+GRILL	55%	45%

3. Turn the dial to enter 25:00.
4. Touch START to start.

Note: The power level you set up here will remain until you reset it or cut the power.

Quick Start

In standby state, press START button repeatedly to enter cooking time, the longest time is 95 minutes, and the oven will start automatically at 100% high power level

Multistage Cooking

First stage	Defrost / Microwave cooking / Grill cooking / Steam menu/ Microwave+Grill cooking
Second stage	Microwave cooking / Grill cooking /Steam menu/ Microwave+Grill cooking

1. Set the first stage cooking program. DO NOT TOUCH START.
2. Set the second stage cooking program.
3. Touch START button.

Time Defrost

The longest defrosting time is 95 minutes.

1. Touch DEFROST button repeatedly to select time defrost.
2. Enter desired defrosting time by turning dial.
3. Touch START

Note:After two-thirds of the defrosting time the system will pause and sound beeps to remind user to turn food over, then close the door and press START to resume.

Weight Defrost

The defrosting time and power level are adjusted automatically once the weight is programmed. The range weight of frozen food varies between 100g and 1000g.

1. Touch DEFROST button repeatedly to select weight defrost.
2. Turn the dial to enter food weight.
3. Touch START button to start.

Note:During defrosting program, the system will pause and sound beeps to remind user to turn food over, and then press START button to resume.

Note:The defrosting way you set up here will remain until you reset it or cut the power.

Ferment

It helps you to ferment food easily. The default setting is working at 30°C temperature.

1. Place a larger and covered container with food into the oven.
2. Touch FERMENT button once.
3. Turn the dial to enter desired time. (recommended from 60 minutes to 95 minutes)
4. Press START button.

Steam Menu (can only be used with steam pot accessory)

1. Touch STEAM button once.
2. Turn the dial to select steam menu code.
3. Touch WEIGHT button.
4. Turn the dial to select the weight or amount of food.
5. Press START button.

Steam menu:

Code	Menu	Code	Menu
S-1	Steam Fish (g)	S-4	Steam Dim Sum-Reheat (g)
S-2	Steam Vegetable (g)	S-5	Steam Rice-Reheat(g)
S-3	Steam Egg (Portion)		

S-1 Steam Fish (g)

Ingredient: fish 200g-400g

Steps:

1. Base pot: add 200ml of water into the base plate
2. Inner pot: marinate the fish and put it into the pot
3. Put the inner pot into the base pot and lock up the cover.
4. Select weight as below then time and power will follow default setting automatically as below:

Weight (g)	time	power
200	6:00	M-HI
300	8:00	
400	10:00	

S-2 Steam Vegetable (g)

Ingredient: vegetables 200g-400g

Steps:

1. Base pot: add 200ml of water into the base plate
2. Inner pot: get them washed and put into the pot
3. Put the inner pot into the base pot and lock up the cover.
4. Select weight as below then time and power will follow default setting automatically as below:

Weight (g)	time	power
200	6:00	HI
300	7:00	
400	8:00	

S-3 Steam Egg (portion)

Ingredient: 2 eggs

Steps:

1. Base pot: add 200ml of water into the base plate
2. Inner pot: crack eggs and put in a pot, add 200ml water with a bit salt, beat the egg mixture together
3. Put the inner pot into the base pot and lock up the cover.
4. Select weight as below then time and power will follow default setting automatically as below:

Weight (portion)	time	power
1	7:00	MED

S-4 Steam Dim Sum (g) --reheat

Ingredient: dim sum

Steps:

1. Base pot: add 200ml of water into the base plate
2. Inner pot: put the dim sum into the pot
3. Put the inner pot into the base pot and lock up the cover.
4. Select weight as below then time and power will follow default setting automatically as below:

Weight (g)	time	power
100	2 : 00	MED
200	3 : 30	
300	5 : 00	

S-5 Steam Rice (g) --reheat

Ingredient: rice 200-400g

Steps:

1. Base pot: add 200ml of water into the base plate
2. Inner pot: cooked rice which need to reheat
3. Put the inner pot into the base pot and lock up the cover.
4. Select weight as below then time and power will follow default setting automatically as below:

Weight (g)	time	power
200	3:00	HI
300	4:00	
400	5:00	

- Note: 1.Steam cooking can only be used together with steam pot.
2.The menu you set up here will remain until you reset it or cut the power.

Setting Child Lock

The lock prevents unsupervised operation by children.

- To set the child lock: In standby mode, press STOP/ CLEAR button for 3 seconds, then a beep will sound. In the lock state, the oven can't be operated.
- To cancel the child lock: Press STOP/ CLEAR button for 3 seconds, then a beep will sound, and the oven can be operated.

Auto Menu

It is not necessary to program the cooking time and power level.

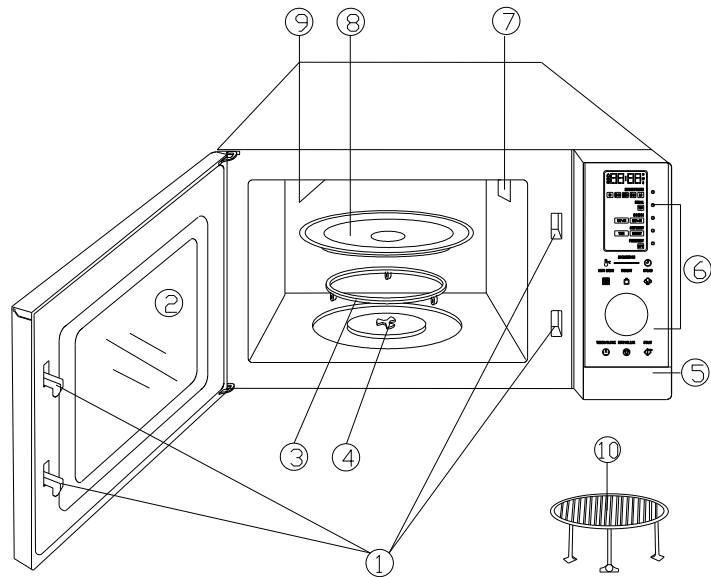
1. Touch AUTO MENU button once.
2. Turn the dial to select menu code.
3. Touch WEIGHT button.
4. Turn the dial to select the weight or amount of food.
5. Touch START button.

Auto cook menus:

Code	Menu	Note:
A-1	Grill Chicken (g)	<ul style="list-style-type: none"> • For menus A-1 to A-4 and A-9, during cooking, the system will pause and sound beeps to remind user to turn food over for uniform cooking, then close the door and press START button to resume. • The result of auto cooking depends on factors such as fluctuation of voltage, the shape and size of food, your personal preference as to the doneness of certain foods and even how well you happen to place food in the oven. If you find the result at any rate not quite satisfactory, please adjust the cooking time a little bit accordingly. • The menu you set up here will remain until you reset it or cut the power. • For cooking rice process of A-7, please refer to steam pot manual.
A-2	Roast beef/lamb (g)	
A-3	Roast pork (g)	
A-4	Baked Fish (g)	
A-5	Baked Potato (230g/each)	
A-6	Pasta (g)	
A-7	Rice (g)	
A-8	Congee/Porridge (g)	
A-9	Toast (piece)	
A-10	Popcorn (100g)	
A-11	Dim Sum (reheat) (g)	
A-12	Beverages(200ml/each)	

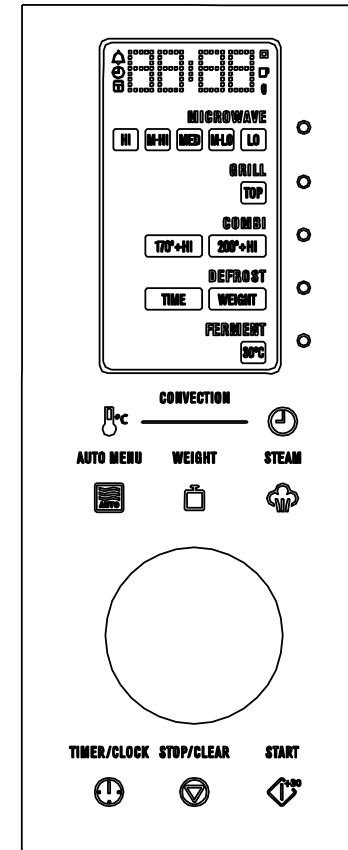
Product Diagram



EMS3087X



- ① Door Safety Lock System
- ② Oven Window
- ③ Roller Ring
- ④ Shaft
- ⑤ Door Release Button
- ⑥ Control Panel
- ⑦ Wave Guide (Please do not remove the mica plate covering the wave guide)
- ⑧ Glass Turntable
- ⑨ Grill Heater
- ⑩ Metal Rack

Control Panel



- **DISPLAY**
Cooking time, power, indicators and clock time are displayed.
- **MICROWAVE**
Use to select microwave power level.
- **COMBI**
Use to select microwave and convection combination cooking temperature.
- **GRILL**
Use to set grill cooking.
- **DEFROST**
Use to set time or weight defrost program.
- **FERMENT**
Use to set ferment program.
- **AUTO MENU**
Use to set auto menu cooking.
- **CONVECTION**  
Use to select convection cooking temperature and cooking time.
- **WEIGHT**
Use to set food weight
- **STEAM**
Use to set steam menu cooking.
- **STOP/CLEAR**
Use to pause a cooking, cancel all settings or set child lock.
- **TIMER/ CLOCK**
Use to set the oven clock and kitchen timer.
- **DIAL**
Use to set time or select food weight.
- **START**
Use to start the oven or set quick start program.

Operation Instructions

- During cooking, if press STOP/CLEAR button once or open the door, the program will be paused, then press START button to resume, but if press STOP/CLEAR button twice, the program will be canceled.
- After ending cooking, the system will sound beeps to remind user every two minutes until user press STOP/CLEAR button or open the door.

Setting Clock

This is a 24 hour clock. During cooking, the current time can be seen by touching TIMER/CLOCK button twice.

1. Touch TIMER/CLOCK button twice.
2. Turn dial to set the hour digit.
3. Touch TIMER/CLOCK button to confirm.
4. Turn dial to set the minute digit.
5. Touch TIMER/CLOCK button again to confirm.

Setting Kitchen Timer

You could set the oven timer to remind you the cooking time. The longest time you can set is 95 minutes.

Suppose you want to set the kitchen timer for 30 minutes:

1. Press TIMER/CLOCK button once.
2. Rotate the digital dial to set 30 :00.
3. Press START button to confirm.

Note : 1. If you omit step 2, the timer will count time from 0:00, up to 95 : 00.
2. When the timer is counting, you can press TIMER/CLOCK to see the timer.
3. When setting timer in standby mode, the displayer shows timer, and you can set cooking program. If press STOP/CLEAR button once, the counting will be paused, then press START button to resume, but if press STOP/CLEAR pad twice, the counting will be canceled. During cooking, the timer can be canceled.

Microwave Cooking

1. Touch MICROWAVE button repeatedly to select microwave power level.

Power Level	100%	80%	60%	40%	20%
Display	HI	M-HI	MED	M-LO	L0

2. Turn dial to enter cooking time. The longest time is 95 minutes.
3. Touch START button.

Note: The power level you set up here will remain until you reset it or cut the power.

Grill Cooking


Grill cooking is particularly useful for thin slices of meat, steaks, chops, kebabs, sausages and pieces of chicken. The longest cooking time is 95 minutes.

1. Touch GRILL button once.
2. Turn dial to enter cooking time.
3. Touch START button.



Quick Start

In standby state, press START button repeatedly to enter cooking time, the longest time is 95 minutes, and the oven will start automatically at 100% high power level.

Convection Cooking


During convection cooking, hot air is circulated throughout the oven cavity to make crisp foods quickly and evenly. This oven has ten different cooking temperatures from 110°C to 200°C. The longest cooking time is 95 minutes. During cooking, the set temperature can be seen by touching  button.

To Cook with Convection:

1. Touch  button once and turn the dial to select desired temperature.
2. Touch the  button once.
3. Turn the dial to enter cooking time.
4. Touch START button.

To Preheat and Cook with Convection:

Your oven can be programmed to combine preheating and convection cooking operations.

1. Touch  button once.
2. Turn the dial to select desired temperature.
3. Touch START button. When the oven reaches the programmed temperature, beeps will sound.
4. Open the door and place container of food at the center of the turntable.
5. Turn the dial to enter cooking time.
6. Touch START button.

Note: The maximum auto reheat time is 30 minutes, and the preheat time cannot be set.

When the temperature reaches the preheat temperature, it will keep for 30 minutes. If you don't open the oven door within the 30 minutes, the system will stop automatically.

Microwave + Convection Cooking

This oven has two different combination cooking temperatures 170°C + HI and 200°C + HI.

1. Touch COMBI button repeatedly to select desired combination temperature.
2. Turn the dial to enter cooking time. The longest cooking time is 95 minutes.
3. Touch START button.

Note:The power level you set up here will remain until you reset it or cut the power.

Multistage Cooking

First stage	Defrost / Microwave cooking / Grill cooking / Steam menu / Convection cooking (without preheating) / Microwave+Convection cooking
Second stage	Microwave cooking / Grill cooking / Steam menu / Convection cooking (without preheating) / Microwave+Convection cooking

1. Set the first stage cooking program. NOT TOUCH START.
2. Set the second stage cooking program.
3. Touch START button.

Time Defrost

The longest defrosting time is 95 minutes.

1. Touch DEFROST button repeatedly to select time defrost.
2. Enter desired defrosting time by turning dial.
3. Touch START.

Note:After two-thirds of the defrosting time the system will pause and sound beeps to remind user to turn food over, then close the door and press START to resume.

Weight Defrost

The defrosting time and power level are adjusted automatically once the weight is programmed. The range weight of frozen food varies between 100g and 1000g.

1. Touch DEFROST button repeatedly to select weight defrost.
2. Turn the dial to enter food weight.
3. Touch START button to start.

Note:During defrosting program, the system will pause and sound beeps to remind user to turn food over, and then press START button to resume.

Note:The defrosting way you set up here will remain until you reset it or cut the power.

Ferment

It helps you to ferment food easily. The default setting is working at 30°C temperature.

1. Place a larger and covered container with food into the oven.
2. Touch FERMENT button once.
3. Turn the dial to enter desire time. (recommended from 60 minutes to 95 minutes)
4. Press START button.

Steam Menu (can only be used with steam pot accessory)

1. Touch STEAM button once.
2. Turn the dial to select steam menu code.
3. Touch WEIGHT button.
4. Turn the dial to select the weight or amount of food.
5. Press START button.

Steam menu:

Code	Menu	Code	Menu
S-1	Steam Fish (g)	S-4	Steam Dim Sum-Reheat (g)
S-2	Steam Vegetable (g)	S-5	Steam Rice-Reheat(g)
S-3	Steam Egg (Portion)		

S-1 Steam Fish (g)

Ingredient: fish 200g-400g

Steps:

1. Base pot: add 200ml of water into the base plate
2. Inner pot: marinate the fish and put it into the pot
3. Put the inner pot into the base pot and lock up the cover.
4. Select weight as below then time and power will follow default setting automatically as below:

Weight (g)	time	power
200	6:00	M-HI
300	8:00	
400	10:00	

S-2 Steam Vegetable (g)

Ingredient: vegetables 200g-400g

Steps:

1. Base pot: add 200ml of water into the base plate
2. Inner pot: get them washed and put into the pot
3. Put the inner pot into the base pot and lock up the cover.
4. Select weight as below then time and power will follow default setting automatically as below:

Weight (g)	time	power
200	6:00	HI
300	7:00	
400	8:00	

S-3 Steam Egg (portion)

Ingredient: 2 eggs

Steps:

1. Base pot: add 200ml of water into the base plate
2. Inner pot: crack eggs and put in a pot, add 200ml water with a bit salt, beat the egg mixture together
3. Put the inner pot into the base pot and lock up the cover.
4. Select weight as below then time and power will follow default setting automatically as below:

Weight (portion)	time	power
1	7:00	MED

S-4 Steam Dim Sum (g) --reheat

Ingredient: dim sum

Steps:

1. Base pot: add 200ml of water into the base plate
2. Inner pot: put the dim sum into the pot
3. Put the inner pot into the base pot and lock up the cover.
4. Select weight as below then time and power will follow default setting automatically as below:

Weight (g)	time	power
100	2 : 00	MED
200	3 : 30	
300	5 : 00	

S-5 Steam Rice (g) --reheat

Ingredient: rice 200-400g

Steps:

1. Base pot: add 200ml of water into the base plate
2. Inner pot: cooked rice which need to reheat
3. Put the inner pot into the base pot and lock up the cover.
4. Select weight as below then time and power will follow default setting automatically as below:

Weight (g)	time	power
200	3:00	HI
300	4:00	
400	5:00	

- Note: 1.Steam cooking can only be used together with steam pot.
 2.The menu you set up here will remain until you reset it or cut the power.

Setting Child Lock

The lock prevents unsupervised operation by children.

To set the child lock: In standby mode, press STOP/ CLEAR button for 3 seconds, then a beep will sound. In the lock state, the oven can't be operated.

To cancel the child lock: Press STOP/ CLEAR button for 3 seconds, then a beep will sound, and the oven can be operated.

Automatic Protection Mechanism

High Temperature Protection: while entering into super high temperature protection status, the system sounds beeps and the display shows "E01" until user press STOP/CLEAR button to return normal condition. Please open the door to cool the oven cavity or call for consumer service to check.

Low Temperature Protection: while entering into super low temperature protection status, the system sounds beeps and the display shows "E02" until user press STOP/CLEAR button to return normal condition. Please call for consumer service to check.

Sensor Malfunction Protection: when the sensor is short circuited, the system enters into protection mode and sound beeps, the display shows "E03" until user press STOP/CLEAR pad to return normal condition. Please call for consumer service to check and replace the faulty sensor.

Auto Menu

It is not necessary to program the cooking time and power level.

1. Touch AUTO MENU button once.
2. Turn the dial to select menu code.
3. Touch WEIGHT button.
4. Turn the dial to select the weight or amount of food.
5. Touch START button.

Auto cook menus:

Code	Menu	
A-1	Grill Chicken (g)	<p>Note:</p> <ul style="list-style-type: none">• For menus A-1 to A-4 and A-11 during cooking, the system will pause and sound beeps to remind user to turn food over for uniform cooking, then close the door and press START button to resume.• The result of auto cooking depends on factors such as fluctuation of voltage, the shape and size of food, your personal preference as to the doneness of certain foods and even how well you happen to place food in the oven. If you find the result at any rate not quite satisfactory, please adjust the cooking time a little bit accordingly.• The menu you set up here will remain until you reset it or cut the power.• For cooking rice process of A-8, please refer to steam pot manual.
A-2	Roast beef/lamb (g)	
A-3	Roast pork (g)	
A-4	Baked Fish (g)	
A-5	Baked Potato (230g/each)	
A-6	Frozen Pizza (g)	
A-7	Pasta (g)	
A-8	Rice (g)	
A-9	Congee/Porridge (g)	
A-10	Cake (475g)	
A-11	Toast (piece)	
A-12	Popcorn (100g)	
A-13	Dim Sum (reheat) (g)	
A-14	Beverages (200ml/each)	

Specifications

Model	EMS3085X	EMS3087X
Power Consumption	Please refer to rating label	Please refer to rating label
Output	900W	900W
Operation Frequency	2450MHz	2450MHz
Outside Dimensions	538mm(W)x436mm(D)x294mm(H)	538mm(W)x436mm(D)x294mm(H)
Oven Cavity Dimensions	354mm(W)X358mm(D)X240mm(H)	354mm(W)X358mm(D)X240mm(H)
Oven Capacity	30Litres	30Litres
Cooking Uniformity	Turntable System	Turntable System
Net Weight	Approx.17.0kg	Approx.18.3kg

Packing List

1. Microwave Oven*1
2. User Manual*1
3. Metal Rack*1
4. Glass Turntable*1
5. Roller Ring*1
6. Steam pot set*1 (optional)

RoHS Compliant.

Environmental Information

If at any time in future you need to dispose of this product please do NOT dispose of this product with household waste. Please send this product to collecting points where available.

This product is RoHS compliant.

Cleaning and Care

1. Turn off the oven and unplug the power cord from the wall when cleaning.
2. Keep the inside of the oven clean. When food splatters or spilled liquids adhere to oven walls, wipe with a damp cloth. Mild detergents may be used if the oven gets very dirty. Avoid using spray or other harsh cleaners. They may stain, streak or dull the door surface.
3. The outside of the oven should be cleaned with a damp cloth. To prevent damage to the operating parts inside the oven, water should not be allowed to seep into the ventilation openings.
4. Wipe the door and window on both sides, the door seals and adjacent parts frequently with a damp cloth to remove any spills or splatters. Do not use abrasive cleaner.
5. Do not allow the control panel to become wet. Clean with a soft, damp cloth. When cleaning the control panel, leave oven door open to prevent oven from accidentally turning on.
6. If steam accumulates inside or around the outside of the oven door, wipe with a soft cloth. This may occur when the microwave oven is operated under high humidity condition. And it is normal.
7. It is occasionally necessary to remove the glass tray for cleaning. Wash the tray in warm sudsy water or in a dishwasher.
8. The roller ring and oven floor should be cleaned regularly to avoid excessive noise. Simply wipe the bottom surface of the oven with mild detergent. The roller ring may be washed in mild, soapy water or in a dishwasher. When removing the roller ring, be sure to replace it in the proper position.
9. Remove odors from your oven by combining a cup of water with the juice and skin of one lemon in a microwaveable bowl. Microwave for 5 minutes. Wipe thoroughly and dry with a soft cloth.
10. If the light bulb burns out, please contact customer service to have it replaced.
11. The oven should be cleaned regularly and any food deposits should be removed. Failure to maintain the oven in a clean condition could lead to deterioration of surface that could adversely affect the life of the unit and could possibly result in a hazardous situation.
12. Please do not dispose of this appliance into the domestic rubbish bin; it should be disposed to the particular disposal center provided by the municipalities.
13. When the microwave ovens have grill function is first used, it may produce slight smoke and smell. This is a normal phenomenon, because the oven is made of a steel plate coated with lubricating oil, and the new oven will produce fumes and odor generated by burning the lubricating oil. This phenomenon will disappear after a period of using.

Consumer care center

<p>Thailand Call Center Tel : (+66 2) 725 9000 Electrolux Thailand Co.,Ltd. Electrolux Building 14th Floor 1910 New Petchburi Road, Bangkok, Huay Kwang, Bangkok 10310 Office Tel : (+66 2) 2591100 Office Fax : (+66 2) 259299 Email : customercarethai@electrolux.com</p>	<p>Singapore CONSUMER CARE HOTLINE : (+65) 6727 3699 Electrolux S.E.A. Pte Ltd. 1 Fusionopolis Place, #07-10 Galaxis, West Lobby Singapore 138522. Office Fax : (+65) 67273611 Email : customer-care.sin@electrolux.com</p>
<p>Indonesia Tel : (+62 21) 522 7180 PT. Electrolux Indonesia Gedung Plaza Kuningan Menara Utara 2nd Floor, Suite 201, Jl. HR Rasuna Said kav C 11-14, Karet Setiabudi Jakarta Selatan 12940 Office Tel: (+62 21) 522 7099 Office Fax: (+62 21) 522 7097 Email : customercare@electrolux.co.id</p>	<p>Philippines Domestic Toll Free : 1-800-10-845-care 2273 Customer Care Hotline : (+63 2) 845 care 2273 Electrolux Philippines, Inc. 10th Floor. W5th Avenue Building 5th Avenue Corner 32nd Street Bonifacio Global City, Taguig Philippines 1634 Trunkline: +63 2 737- 4756 Website : www.electrolux.com.ph Email : wecare@electrolux.com</p>
<p>Vietnam Domestic Toll Free : 1800-58-88-99 Tel : (+84 8) 3910 5465 Electrolux Vietnam Ltd. Floor 9th, A&B Tower 76 Le Lai street - Ben Thanh Ward - District 1 Ho Chi Minh City , Vietnam Office Tel : (+84 8) 3910 5465 Office Fax : (+84 8) 3910 5470 Email : vncare@electrolux.com</p>	<p>Malaysia Domestic Toll Free: 1300-88-11-22 Electrolux Home Appliances Sdn. Bhd. Corporate Office Address: 7th Floor, Tower 2, Jaya 33, No. 3 Jalan Semangat, Seksyen 13, 46100 Petaling Jaya, Selangor. Corporate Office Tel: (+60 3) 7843 5999 Corporate Office Fax: (+60 3) 7955 5511</p>
<p>Hongkong Tel: (+852) 8203 0298 Dah Chong Hong, Ltd. - Service Centre 8/F., Yee Lim Godown Block C 2-28 Kwai Lok Street, Kwai Chung, N.T. Hong Kong</p>	<p>Consumer Care Center Address: Lot C6, No. 28, Jalan 15/22, Taman Perindustrian Tiong Nam, 40200 Shah Alam, Selangor Consumer Care Center Tel: (+60 3) 5525 0800 Consumer Care Center Fax: (+60 3) 5524 2521 Email: malaysia.customercare@electrolux.com</p>

www.electrolux.com

The Thoughtful Design Innovator.

Do you remember the last time you opened a gift that made you say, "Oh! How did you know? That's exactly what I wanted!" That's the kind of feeling that we at Electrolux seek to evoke in everyone who chooses or uses one of our products. We devote time, knowledge, and a great deal of thought to anticipating and creating the kind of appliances that our customers really need and want.

This kind of thoughtful care means innovating with insight. Not design for design's sake, but design for the user's sake. For us, thoughtful design means making appliances easier to use and tasks more enjoyable to perform, freeing our customers to experience the ultimate 21st century luxury: ease of mind. Our aim is to make this ease of mind more available to more people in more parts of their everyday lives, all over the world.

The "Thinking of you" promise from Electrolux goes beyond meeting the needs of today's consumers. It also means we're committed to making appliances safe for the environment—now and for future generations.

Electrolux. Thinking of you.

Share more of our thinking at
www.electrolux.com

สารบัญ

ข้อควรระวังเพื่อป้องกันไม่ได้รับพลังงานไมโครเวฟมากเกินไป	2
ข้อแนะนำเพื่อความปลอดภัย	2
ข้อแนะนำการติดตั้ง	4
คลื่นรบกวน	6
ก่อนติดต่อศูนย์บริการ	7
การเลือกใช้ภาชนะ	8
EMS3085X	
รายละเอียดของเครื่อง	9
แผนผังควบคุมการทำงาน	10
ข้อแนะนำการใช้งาน	11
เมนูทำอาหารอัตโนมัติ	16
EMS3087X	
รายละเอียดของเครื่อง	17
แผนผังควบคุมการทำงาน	18
ข้อแนะนำการใช้งาน	19
เมนูทำอาหารอัตโนมัติ	25
ข้อกำหนดทางเทคนิค	26
การทำความสะอาดและการดูแลรักษาเครื่อง	27
ศูนย์บริการลูกค้า	28

ข้อควรระวังเพื่อป้องกันไม่ให้เกิดรับพลังงาน ไมโครเวฟมากเกินไป

1. ห้ามใช้เตาในขณะประตูเครื่องเปิดอยู่ เพราะทำให้ได้รับพลังงานไมโครเวฟมากเกินไป และห้ามตัดแปลงแก้ไขอุปกรณ์เพื่อความปลอดภัยของเตาไมโครเวฟโดยเด็ดขาด
2. ห้ามมีวัสดุติดอยู่ระหว่างผิวหน้าของซีลขอบประตูและประตู ห้ามมีเศษอาหารหรือน้ำยาทำความสะอาดติดค้างอยู่ที่ผิวหน้าของซีลขอบประตู
3. ห้ามใช้เตาไมโครเวฟที่เสียหาย สิ่งสำคัญที่ต้องคำนึงคือประตูเตาไมโครเวฟต้องปิดได้อย่างถูกต้องและไม่เกิดความเสียหายต่อ
 - a. ประตู (รวมถึงส่วนเว้าต่างๆ),
 - b. บานพับและสลักของประตู (หักหรือหลวม),
 - c. ซีลขอบประตูและผิวหน้าของซีล
4. การปรับแต่งหรือซ่อมแซมส่วนใดส่วนหนึ่งของเครื่องต้องทำโดยช่างผู้ชำนาญงานเท่านั้น

ข้อแนะนำเพื่อความปลอดภัย

โปรดปฏิบัติตามข้อแนะนำเพื่อความปลอดภัยขั้นพื้นฐาน ในขณะที่ใช้งานเครื่องใช้ไฟฟ้า ดังนี้:

คำเตือน! เพื่อป้องกันความเสี่ยงต่อการเผาไหม้ ไฟฟ้าช็อต ไฟไหม้ การบาดเจ็บต่อตัวบุคคล หรือได้รับพลังงานไมโครเวฟมากเกินไป:

1. โปรดอ่านข้อแนะนำอย่างละเอียดก่อนใช้งานเครื่อง
2. ใช้เครื่องนี้ตามวัตถุประสงค์ที่ระบุไว้ในคู่มือเท่านั้น และห้ามใช้สารเคมีที่มีฤทธิ์ในการกัดกร่อนหรือไอน้ำภายในเครื่อง เตาอบชนิดนี้ได้รับการออกแบบมาสำหรับทำความร้อน ทำอาหาร หรืออบแห้งอาหาร ไม่ได้ ออกแบบมาสำหรับการใช้งานอุตสาหกรรมหรือในห้องทดลอง
3. ห้ามใช้งานเตาไมโครเวฟเมื่อไม่มีอาหารอยู่ในเครื่อง
4. ห้ามใช้งานเครื่องหากสายไฟหรือปลั๊กชำรุด เครื่องที่ทำงานไม่ปกติ ชำรุด หรือร่วงหล่น ถ้าสายไฟเกิดความเสียหาย โปรดให้ผู้ผลิตหรือตัวแทนฝ่ายบริการหรือบุคคลที่มีความชำนาญเป็นผู้เปลี่ยนสายไฟ เพื่อหลีกเลี่ยงอันตรายจากไฟฟ้า
5. **คำเตือน!** เมื่อใช้ฟังก์ชันผสม เด็กควรใช้เครื่องโดยมีผู้ใหญ่ดูแล เพราะจะเกิดความร้อนสูง
6. **คำเตือน!** อนุญาตให้เด็กใช้งานเตาไมโครเวฟโดยไม่มี การควบคุมดูแลได้ หากเด็กได้รับคำแนะนำเพียงพอที่จะใช้เตาไมโครเวฟอย่างปลอดภัย และเข้าใจถึงอันตรายจากการใช้ผิดวิธี
7. เพื่อป้องกันความเสี่ยงต่อการเกิดไฟไหม้ในช่องใส่อาหาร:
 - ขณะทำอาหารที่บรรจุในภาชนะพลาสติกหรือกระดาษ ต้องเช็ดการทำงานเป็นระยะๆ เพราะอาจเกิดการจุดติดไฟได้
 - ถอดลวด หรือที่มัดปากถุงออกจากถุงกระดาษหรือพลาสติก ก่อนนำเข้าเครื่อง
 - หากสังเกตเห็นควันไฟเกิดขึ้น ให้ปิดสวิทช์หรือถอดปลั๊กออก แต่ยังคงปิดประตูไว้ เพื่อปิดกั้นเปลวไฟ
 - ห้ามใช้เตาไมโครเวฟด้านในสำหรับเก็บของ และห้ามเก็บกระดาษ ภาชนะสำหรับทำอาหาร หรืออาหารไว้ในเครื่องขณะที่ไม่ได้ใช้งาน

8. **คำเตือน!** ห้ามอุ่นของเหลวหรืออาหารในภาชนะที่ปิดสนิทเพราะจะทำให้ระเบิดแตกออกได้
9. การอุ่นเครื่องดื่มในเตาจะมีการเดือดและกระเด็นเกิดขึ้นภายหลัง ควรใช้ความระมัดระวังเมื่อหยิบจับภาชนะออกจากเตา
10. ห้ามทอดอาหารในเตาไมโครเวฟ น้ำมันที่ร้อนอาจทำให้ชิ้นส่วนของเตาและภาชนะเสียหาย และอาจทำให้เกิดการลวกพองได้
11. ห้ามใส่สิ่งทั้งเปลือกหรือไข่ต้มที่มีเปลือกในเตาไมโครเวฟ เพราะอาจเกิดการระเบิดได้ แม้ว่าจะไม่ได้ใช้เครื่องทำอาหารแล้ว
12. ควรใช้ล้อนเจาะเปลือกหรือมีดอาหารที่หนา เช่น มันฝรั่ง สควอชทั้งลูก แอปเปิ้ล และเกาลัด ก่อนนำเข้าเตาอบ
13. คนหรือเขย่าอาหารเด็กที่บรรจุในขวดและภาชนะให้ทั่ว และต้องตรวจสอบอุณหภูมิอาหารดังกล่าวก่อนบริโภคเพื่อหลีกเลี่ยงการถูกลวก
14. ภาชนะในเตาจะร้อนเพราะความร้อนจะถ่ายเทจากอาหารไปยังภาชนะ จึงควรใช้ถุงมือกันความร้อนขณะนำอาหารออกจากเตา
15. ใช้ภาชนะที่เหมาะสมสำหรับใช้ในเตาไมโครเวฟเท่านั้น และต้องตรวจเช็คก่อนใช้งาน
16. **คำเตือน!** การดำเนินการบำรุงรักษาใดๆ หรือการซ่อมที่ต้องมีการถอดฝาครอบสำหรับป้องกันการรั่วไหลของพลังงานไมโครเวฟเป็นเรื่องอันตรายต่อทุกคน ต้องทำโดยบุคลากรผู้ชำนาญงาน
17. เตาไมโครเวฟจัดอยู่ในอุปกรณ์ Group 2 Class B ISM ซึ่ง Group 2 ประกอบด้วยอุปกรณ์ที่เกี่ยวข้อง อุตสาหกรรม (I), วิทยาศาสตร์ (S) และการแพทย์ (M) ซึ่งอุปกรณ์นี้ก่อให้เกิดพลังงานคลื่นวิทยุและ/หรือใช้ในรูปแบบของคลื่นแม่เหล็กไฟฟ้าสำหรับทำความร้อนแก่อาหาร และอยู่ในประเภท Class B Equipment ซึ่งเหมาะสำหรับใช้ในบ้านเรือน และสถานที่ที่ใช้ระบบแรงดันไฟฟ้าต่ำ ซึ่งใช้ตามอาคารและบ้านเรือน
18. เครื่องนี้ไม่ได้รับการออกแบบมาสำหรับการใช้งานของเด็ก และผู้ใหญ่ที่มีความบกพร่องทางร่างกาย ทางประสาทรับรู้ หรือทางจิตใจ รวมถึงผู้ที่ขาดประสบการณ์และความรู้ ควรหลีกเลี่ยงการใช้เครื่องโดยไม่มีผู้ควบคุมดูแลหรือให้คำแนะนำอย่างใกล้ชิด เพื่อความปลอดภัยในการใช้งาน
19. ควรดูแลเด็กอย่างใกล้ชิด เพื่อไม่ให้เกิดอันตรายในการใช้เครื่อง
20. เตาไมโครเวฟรุ่นนี้ ใช้สำหรับติดตั้งบนพื้นเรียบเท่านั้น
21. **คำเตือน!** ห้ามติดตั้งเครื่องบนเตาประกอบอาหาร หรือบนเครื่องใช้ไฟฟ้าที่ทำให้เกิดความร้อน เพราะจะทำให้เครื่องเสียหายได้ และไม่อยู่ในเงื่อนไขการรับประกัน
22. พื้นผิวที่สามารถเอื้อมจับได้จะร้อนมากขณะใช้งาน
23. ห้ามวางเครื่องไว้ในตู้ที่มีประตูปิดขณะใช้งาน
24. ประตูหรือพื้นผิวด้านนอกเครื่องจะร้อนมากขณะใช้งาน
25. อาจมีอุณหภูมิสูงบริเวณพื้นผิวที่สามารถเอื้อมจับได้ ขณะใช้งาน
26. ให้อากาศด้านหลังเครื่องไว้ฝั่งผนัง

27. **คำเตือน!** ห้ามใช้เตาไมโครเวฟหากประตูหรือซีลขอบประตูเสียหาย จนกว่าจะได้รับการซ่อมแซมจากผู้ชำนาญงาน
28. อุปกรณ์นี้ไม่สามารถใช้งานกับนาฬิกาจับเวลาหรือรีโมทที่ไม่ได้อยู่ที่ตัวเครื่อง
29. เตามิโครเวฟนี้ออกแบบมาเพื่อใช้ภายในบ้านเท่านั้น ห้ามใช้งานในเชิงพาณิชย์
30. ห้ามถอดตัววัดระยะออกจากด้านหลังและด้านข้างของตัวเครื่อง เพื่อเว้นระยะห่างขั้นต่ำจากผนังให้สามารถหมุนเวียนอากาศได้เพียงพอ
31. ใส่ถุงหวนให้แน่นก่อนเคลื่อนย้ายเครื่อง เพื่อป้องกันความเสียหาย
32. **ข้อควรระวัง!** การดำเนินการบำรุงรักษาใดๆ หรือการซ่อมแซมเครื่องเป็นเรื่องอันตรายต่อทุกคน และต้องทำโดยบุคลากรผู้ชำนาญงาน เพราะต้องมีการถอดฝาครอบสำหรับป้องกันการรั่วไหลของพลังงานไมโครเวฟออก รวมถึงการเปลี่ยนสายไฟและหลอดไฟด้วย โปรดส่งเครื่องให้ศูนย์บริการอิเล็กทรอนิกส์
33. เตานี้ได้รับการออกแบบมาสำหรับการละลายอาหารแช่แข็ง ทำอาหาร และนึ่งอาหารเท่านั้น
34. ใช้ถุงมือกันความร้อนขณะนำอาหารออกจากเตา
35. **ข้อควรระวัง!** ไอหรือน้ำอาจไหลออกมาในขณะที่เปิดฝาครอบภาชนะ หรือพอยล์ห่ออาหาร
36. เครื่องรุ่นนี้สามารถให้เด็กอายุตั้งแต่ 8 ปีขึ้นไป ผู้ใหญ่ที่มีความบกพร่องทางร่างกาย ทางประสาทรับรู้ หรือทางจิตใจ รวมถึงผู้ที่ขาดประสบการณ์และความรู้ ใช้งานได้ หากมีผู้ดูแลหรือมีผู้ให้คำแนะนำในการใช้เครื่องอย่างปลอดภัยและใกล้ชิด ทั้งนี้ ไม่ควรให้เด็กเล่นเครื่อง และไม่ควรถูกเด็กอายุต่ำกว่า 8 ปี ทำความสะอาดและบำรุงรักษาเครื่องโดยไม่มีผู้ดูแล
37. หากสังเกตเห็นควันไฟเกิดขึ้น ให้ปิดสวิตช์หรือถอดปลั๊กออก และยังคงปิดประตูไว้ เพื่อปิดกั้นเปลวไฟ
38. ห้ามนำไซ้ทั้งฟองมาทำอาหารในเตาอบไมโครเวฟ

ข้อแนะนำการติดตั้ง

1. แกะป้ายต่างๆ ออกจากประตูเครื่องก่อนการติดตั้ง
2. **คำเตือน!** ตรวจสอบว่าเตามิโครเวฟชำรุดเสียหาย เช่น ประตูไม่เอียงหรือโค้งงอผิดปกติ ซีลขอบประตูและผิวหน้าของซีลไม่มีส่วนใดชำรุดเสียหาย บานพับและสลักของประตูไม่หักหรือหลวม รวมถึงส่วนเว้าต่างๆ ในช่องใส่อาหารหรือบนประตู ห้ามใช้งานเครื่องที่ชำรุดเสียหาย และติดต่อศูนย์บริการอิเล็กทรอนิกส์
3. ติดตั้งเตามิโครเวฟไว้บนพื้นผิวที่เรียบและต้องแข็งแรงเพียงพอที่จะรับน้ำหนักของเครื่องและน้ำหนักของอาหารที่หนักที่สุดได้
4. ห้ามติดตั้งเครื่องใกล้ความร้อน ความชื้น และบริเวณที่มีความชื้นสัมพัทธ์สูง หรือใกล้วัสดุที่ติดไฟได้
5. ต้องมีการหมุนเวียนอากาศที่เพียงพอเพื่อให้เครื่องทำงานได้เป็นปกติ ให้เว้นช่องว่างเหนือเครื่อง 20 ซม. ด้านหลังเครื่อง 10 ซม. และด้านข้างทั้ง 2 ด้าน 5 ซม. ห้ามปิดทับช่องระบายอากาศที่ด้านบน และห้ามถอดขาตั้งออกจากใต้เครื่อง
6. ห้ามใช้งานเครื่องโดยไม่ได้ใส่จานหมุนแก้ว วงหวน และแกนหมุน
7. ตรวจสอบว่าสายไฟไม่ชำรุดเสียหาย อย่าให้สายไฟอยู่ใต้เครื่อง ไม่พาดผ่านพื้นผิวส่วนที่ร้อนหรือมีคม
8. เต้าจ่ายไฟควรอยู่ในตำแหน่งที่เอื้อมถึงได้ง่าย เพื่อให้สามารถถอดปลั๊กออกได้ง่ายในกรณีฉุกเฉิน
9. ห้ามใช้งานเครื่องนอกอาคาร

ข้อแนะนำการต่อสายดิน

อุปกรณ์นี้ต้องต่อสายดินเสมอ สายไฟของเครื่องนี้มีสายดิน และมาพร้อมปลั๊กที่ติดตั้งสายดิน เสียบปลั๊กเข้ากับเต้าจ่ายไฟที่ติดตั้งอย่างถูกต้องและต่อสายดินเรียบร้อยแล้ว ในกรณีที่เกิดไฟฟ้าลัดวงจร สายดินจะช่วยลดความเสี่ยงจากไฟฟ้าช็อต เพราะจะนำกระแสไฟฟ้าลงสู่ดิน ไม่ควรเสียบปลั๊กเตามิโครเวฟร่วมกับเครื่องใช้ไฟฟ้าอื่น หากใช้แรงดันไฟฟ้าสูงกว่าที่ระบุไว้ที่ตัวเครื่อง จะทำให้เกิดไฟไหม้ หรือทำให้เครื่องเสียหายได้

คำเตือน! การใช้ปลั๊กที่ต่อสายดินไม่ถูกวิธีทำให้เกิดไฟฟ้าช็อตได้

หมายเหตุ:

1. โปรดติดต่อช่างไฟหรือศูนย์บริการอิเล็กทรอนิกส์ หากมีข้อสงสัยเกี่ยวกับสายดิน หรือข้อแนะนำการต่อสายไฟ
2. ทางผู้ผลิตและผู้จำหน่ายจะไม่รับผิดชอบความเสียหายกับตัวเครื่อง และการบาดเจ็บต่อตัวบุคคล ที่เกิดขึ้นจากการไม่ปฏิบัติตามข้อแนะนำการต่อสายไฟ

สีของสายไฟแต่ละเส้นมีความหมายดังต่อไปนี้:

สีเขียวและสีเหลือง = สายดิน

สีฟ้า = สายนิวทรัล

สีน้ำตาล = สายไฟ

คลื่นรบกวน

การใช้งานเตาไมโครเวฟอาจทำให้เกิดคลื่นรบกวนสัญญาณวิทยุ โทรทัศน์ หรืออุปกรณ์ไฟฟ้าอื่นๆ เมื่อเกิดการรบกวน ให้ลดหรือกำจัดการรบกวนได้โดยปฏิบัติตามนี้:

1. ทำความสะอาดประตูและผิวหน้าของซิด
2. เปลี่ยนตำแหน่งเสาอากาศของวิทยุหรือโทรทัศน์
3. ย้ายตำแหน่งเตาไมโครเวฟให้อยู่ในตำแหน่งที่ไม่รบกวนเสาอากาศ
4. วางเตาไมโครเวฟให้ห่างจากเสาอากาศ
5. เสียบปลั๊กเตาไมโครเวฟเข้ากับเต้าจ่ายไฟอื่น เพื่อให้เตาไมโครเวฟและเสาอากาศอยู่ในวงจรกระแสไฟฟ้าย่อยที่แตกต่างกัน

ก่อนติดต่อศูนย์บริการ

ก่อนติดต่อศูนย์บริการ โปรดทำการตรวจเช็ค ดังนี้:

1. ตรวจสอบว่าเสียบปลั๊กแน่นดีแล้วหรือไม่ หากเสียบปลั๊กไม่แน่น ให้ถอดปลั๊กออกจากเต้าจ่ายไฟ รอประมาณ 10 วินาที แล้วเสียบปลั๊กอีกครั้งให้แน่น
2. ตรวจสอบว่าฟิวส์ขาดหรือเซอร์กิตเบรกเกอร์หลักตัดหรือไม่ ถ้าเกิดขึ้นบ่อยครั้ง ให้ลองเสียบปลั๊กเครื่องใช้ไฟฟ้าอื่นเข้ากับเต้าจ่ายไฟนี้
3. ตรวจสอบว่าตั้งโปรแกรมที่แผงควบคุมการทำงานถูกต้องหรือไม่ และตั้งระยะเวลาการทำอาหารเรียบร้อยแล้ว
4. ปิดประตูเข้ากับสวิตช์ล็อคเพื่อความปลอดภัยที่ประตูแน่นหรือไม่ ไม่เช่นนั้น พลังงานไมโครเวฟจะไม่เริ่มทำงาน

ถ้าท่านไม่สามารถแก้ไขปัญหาได้ด้วยตนเอง โปรดติดต่อศูนย์บริการอิเล็กทรอนิกส์ ห้ามปรับแต่งหรือซ่อมแซมส่วนใดส่วนหนึ่งของเครื่องด้วยตัวเอง

เคล็ดลับในการใช้เตาไมโครเวฟ

1. เรียงอาหารให้เหมาะสม วางอาหารชิ้นใหญ่และหนาใกล้ๆ ขอบจาน
2. เลือกระยะเวลาทำอาหารที่เหมาะสม ตั้งเวลาให้สั้นกว่าเวลาที่ระบุไว้ในตำราทำอาหาร และเพิ่มเวลาเมื่อจำเป็น อาหารที่สุกมากเกินไปจะทำให้เกิดควันหรือติดไฟได้
3. ห่ออาหาร การห่ออาหารช่วยลดการกระเด็น และทำให้อาหารสุกทั่วถึง
4. กลับอาหาร 1 ครั้ง เพื่อให้อาหารสุกเร็วยิ่งขึ้น เช่น ไก่และแฮมเบอร์เกอร์ อาหารย่างต้องกลับอาหารชิ้นใหญ่อย่างน้อย 1 ครั้ง
5. จัดเรียงอาหารใหม่เมื่อทำอาหารได้ครึ่งทางของระยะเวลาทั้งหมด เช่น ลูกชิ้น ให้จัดเรียงใหม่จากด้านบนมาเป็นด้านล่าง จากตรงกลางมาที่รอบนอกของจาน

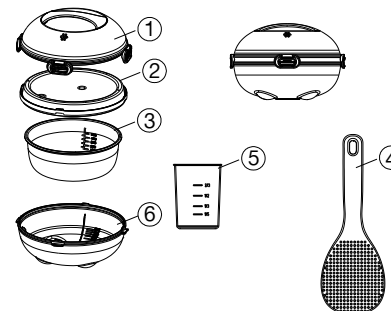
การเลือกใช้ภาชนะ

1. วัสดุของภาชนะที่เหมาะสมสำหรับใช้ในเตาไมโครเวฟคือวัสดุโปร่งใส เพราะพลังงานไมโครเวฟสามารถทะลุผ่านภาชนะ และทำความร้อนให้กับอาหารได้
2. พลังงานไมโครเวฟไม่สามารถทะลุผ่านโลหะได้ ห้ามใช้ภาชนะโลหะหรือจานที่มีขอบโลหะ
3. ห้ามใช้กระดาษรีไซเคิล เพราะอาจมีส่วนผสมของโลหะเจือปน ซึ่งเป็นสาเหตุให้เกิดประกายไฟและ/หรือไฟไหม้ได้
4. แนะนำให้ใช้ภาชนะทรงกลมหรือรูปไข่ เพราะช่วยให้อาหารสุกได้ทั่วถึงมากที่สุด ภาชนะสี่เหลี่ยมอาจทำให้อาหารที่อยู่มุมจานสุกเกินไป
5. สามารถใช้อลูมิเนียมฟอยล์ชิ้นเล็กห่ออาหารส่วนที่สุกได้ง่าย เพื่อป้องกันไม่ให้อาหารสุกเกินไป หากใช้ในปริมาณมากเกินไปอาจเกิดประกายไฟ และควรวางให้ห่างจากผิวด้านข้างของเตาอย่างน้อย 1 นิ้ว (2.54 ซม.) ภาชนะที่ปลอดภัยสำหรับใช้ในเตาไมโครเวฟ

ภาชนะ	ฟังก์ชันไมโครเวฟ	ฟังก์ชันย่าง	ฟังก์ชันทำอาหารด้วยพัดลมกระจายความร้อน	ฟังก์ชันผสม*
แก้วทนความร้อน	ใช้ได้	ใช้ได้	ใช้ได้	ใช้ได้
แก้วทั่วไป	ใช้ไม่ได้	ใช้ไม่ได้	ใช้ไม่ได้	ใช้ไม่ได้
เซรามิกทนความร้อน	ใช้ได้	ใช้ได้	ใช้ได้	ใช้ได้
จานพลาสติกสำหรับใช้กับเตาไมโครเวฟ	ใช้ได้	ใช้ไม่ได้	ใช้ไม่ได้	ใช้ไม่ได้
กระดาษสำหรับใช้งานในครัว	ใช้ได้	ใช้ไม่ได้	ใช้ไม่ได้	ใช้ไม่ได้
ถาดโลหะ (อุปกรณ์เสริม)	ใช้ไม่ได้	ใช้ได้	ใช้ได้	ใช้ไม่ได้
ตะแกรงโลหะ	ใช้ไม่ได้	ใช้ได้	ใช้ได้	ใช้ไม่ได้
อลูมิเนียมฟอยล์/ภาชนะอลูมิเนียมฟอยล์	ใช้ไม่ได้	ใช้ได้	ใช้ได้	ใช้ไม่ได้
หม้อไอน้ำ (อุปกรณ์เสริม)	ใช้ได้	ใช้ไม่ได้	ใช้ไม่ได้	ใช้ไม่ได้

ฟังก์ชันผสม: คือการทำอาหารด้วย “ฟังก์ชันไมโครเวฟผสมฟังก์ชันย่าง” และ “ฟังก์ชันไมโครเวฟผสมฟังก์ชันทำอาหารด้วยพัดลมกระจายความร้อน”

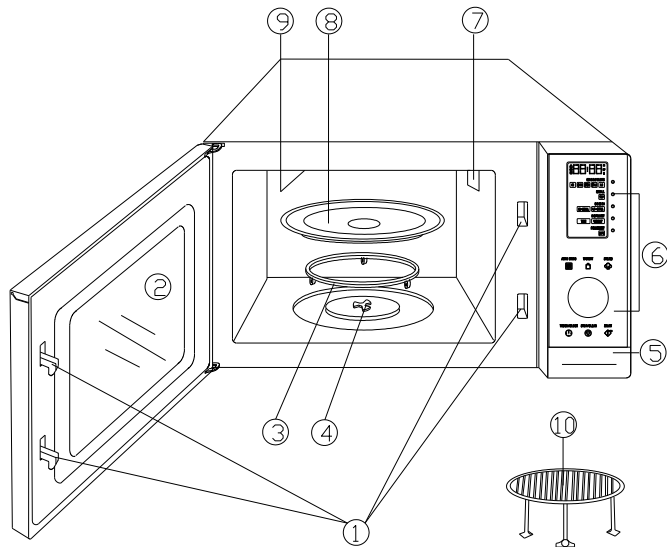
อุปกรณ์เสริม (ตัวเลือก)



1. ฝาปิด
2. จาน
3. หม้อชั้นใน
4. ทัพพีตักข้าว
5. ถ้วยตวง
6. ฐานหม้อ

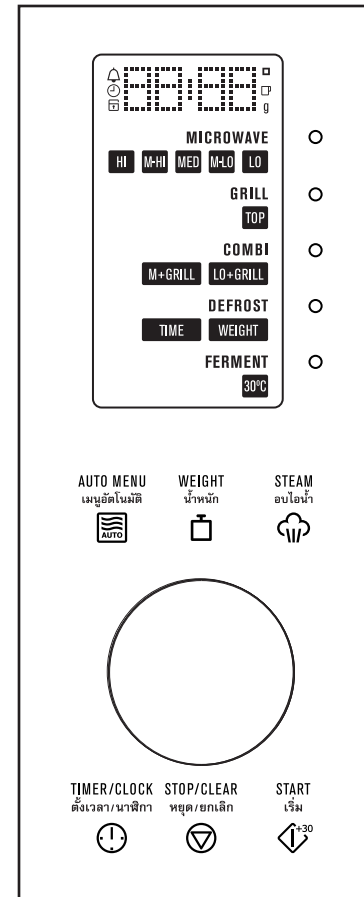
รายละเอียดของเครื่อง

รุ่น EMS3085X



- ① สวิตช์ล็อกเพื่อความปลอดภัย
- ② ช่องกะจก
- ③ วงแหวน
- ④ แกนหมุน
- ⑤ ปุ่มกดเปิดประตู
- ⑥ แผงควบคุมการทำงาน
- ⑦ ฝาปิดช่องส่งคลื่น (ห้ามถอดฝาครอบ Mica ซึ่งใช้สำหรับปิดฝาปิดช่องส่งคลื่น)
- ⑧ จานหมุนแก้ว
- ⑨ แผงทำความร้อนสำหรับย่าง
- ⑩ ตะแกรงโลหะ

แผงควบคุมการทำงาน



- **หน้าจอ**
แสดงระยะเวลาการทำอาหาร ระดับความร้อน ไฟสัญญาณต่างๆ และนาฬิกา
- **ปุ่มฟังก์ชันไมโครเวฟ**
สำหรับเลือกระดับความร้อนฟังก์ชันไมโครเวฟ
- **ปุ่มฟังก์ชันผสม**
สำหรับเลือกอุณหภูมิของฟังก์ชันไมโครเวฟพร้อมฟังก์ชันย่าง
- **ปุ่มฟังก์ชันย่าง**
สำหรับตั้งฟังก์ชันย่าง
- **ปุ่มฟังก์ชันละลายอาหารแช่แข็ง**
สำหรับตั้งเวลาหรือน้ำหนักของโปรแกรมละลายอาหารแช่แข็ง
- **ปุ่มฟังก์ชันหมักอาหาร**
สำหรับตั้งโปรแกรมหมักอาหาร
- **ปุ่มเมนูอัตโนมัติ**
สำหรับตั้งโปรแกรมเมนูทำอาหารอัตโนมัติ
- **ปุ่มน้ำหนัก**
สำหรับตั้งน้ำหนักอาหาร
- **ปุ่มอบไอน้ำ**
สำหรับตั้งเมนูทำอาหารด้วยระบบไอน้ำ
- **ปุ่มหยุด/ยกเลิก**
ใช้สำหรับหยุดเครื่องชั่วคราว ยกเลิกการตั้งค่า หรือตั้งระบบล็อกป้องกันเด็ก
- **ปุ่มตั้งเวลา/นาฬิกา**
ใช้สำหรับตั้งนาฬิกาและตั้งนาฬิกาจับเวลา
- **ลูกบิด**
ใช้สำหรับตั้งเวลาหรือเลือกน้ำหนักอาหาร
- **ปุ่มเริ่มทำงาน**
ใช้สำหรับเริ่มการทำงาน หรือเริ่มการทำงานแบบเร่งด่วน (Quick Start)

ข้อแนะนำการใช้งาน

- เมื่อกดปุ่มหยุด/ยกเลิก 1 ครั้ง หรือเปิดประตูในขณะที่เครื่องกำลังทำงาน โปรแกรมจะหยุดทำงานชั่วคราว กดปุ่มเริ่มทำงานเพื่อทำอาหารต่อ หรือกดปุ่มหยุด/ยกเลิก 2 ครั้งเพื่อยกเลิกโปรแกรม
- เมื่อสิ้นสุดเวลาทำอาหาร จะมีเสียงสัญญาณเตือนทุกๆ 2 นาที จนกว่าจะกดปุ่มหยุด/ยกเลิก หรือเปิดประตู

การตั้งนาฬิกา

เครื่องรุ่นนี้สามารถตั้งนาฬิกาได้แบบ 24 ชั่วโมง ในขณะที่เครื่องกำลังทำงาน สามารถดูเวลาปัจจุบันได้โดยกดปุ่มตั้งเวลา/นาฬิกา 2 ครั้ง

- กดปุ่มตั้งเวลา/นาฬิกา 2 ครั้ง
- หมุนลูกบิดเพื่อตั้งชั่วโมง
- กดปุ่มตั้งเวลา/นาฬิกาเพื่อยืนยัน
- หมุนลูกบิดเพื่อตั้งนาที
- กดปุ่มตั้งเวลา/นาฬิกาอีกครั้งเพื่อยืนยัน

การตั้งนาฬิกาจับเวลา

สามารถตั้งนาฬิกาจับเวลาเพื่อเตือนเมื่อสิ้นสุดเวลาทำอาหาร สามารถตั้งได้สูงสุด 95 นาที

ตัวอย่าง หากต้องการตั้งนาฬิกาจับเวลา 30 นาที:

- กดปุ่มตั้งเวลา/นาฬิกา 1 ครั้ง
- หมุนลูกบิดเพื่อเลือก 30:00
- กดปุ่มเริ่มทำงานเพื่อยืนยัน

หมายเหตุ:

- หากข้ามขั้นตอนที่ 2 เวลาจะเริ่มนับตั้งแต่ 0:00 ไปจนถึง 95:00
- ในขณะที่เครื่องกำลังนับเวลา สามารถดูระยะเวลาการทำอาหารได้โดยกดปุ่มตั้งเวลา/นาฬิกา
- หากตั้งนาฬิกาจับเวลาในโหมดสแตนด์บาย หน้าจอจะแสดงเวลา และสามารถตั้งโปรแกรมทำอาหารได้ เมื่อกดปุ่มหยุด/ยกเลิก 1 ครั้ง เวลาจะหยุดนับชั่วคราว หลังจากนั้นกดปุ่มเริ่มทำงานเพื่อนับเวลาต่อ หรือกดปุ่มหยุด/ยกเลิก 2 ครั้งเพื่อยกเลิกนับเวลา สามารถยกเลิกการจับเวลาในขณะที่เครื่องกำลังทำงานได้

การทำอาหารด้วยฟังก์ชันไมโครเวฟ

- กดปุ่มฟังก์ชันไมโครเวฟหลายๆ ครั้งเพื่อเลือกระดับความร้อน

ระดับความร้อน	100%	80%	60%	40%	20%
หน้าจอ	HI สูง	M-HI ปานกลาง-สูง	MED ปานกลาง	M-LO ปานกลาง-ต่ำ	LO ต่ำ

- หมุนลูกบิดเพื่อตั้งเวลาทำอาหาร สามารถตั้งเวลาได้สูงสุด 95 นาที
- กดปุ่มเริ่มทำงาน

หมายเหตุ: เครื่องจะใช้ระดับความร้อนที่ตั้งเอาไว้ล่าสุด จนกว่าจะรีเซ็ตเครื่อง หรือเมื่อตัดกระแสไฟฟ้าจากเครื่อง

การทำอาหารด้วยฟังก์ชันย่าง

การทำอาหารเหมาะสำหรับเนื้อหนังบางๆ สเต็ก เนื้อติดกระดูก เนื้อสะเต๊ะ ไส้กรอก และชิ้นเนื้อไก่ สามารถตั้งเวลาได้สูงสุด 95 นาที

- กดปุ่มฟังก์ชันย่าง 1 ครั้ง
- หมุนลูกบิดเพื่อตั้งระยะเวลา
- กดปุ่มเริ่มทำงาน

การทำอาหารด้วยฟังก์ชันย่างพร้อมฟังก์ชันไมโครเวฟ

สามารถตั้งเวลาได้สูงสุด 95 นาที

ตัวอย่าง หากต้องการตั้งเวลา 25 นาที:

- เปิดประตู ใส่อาหารในเครื่อง แล้วปิดประตู
- กดปุ่มฟังก์ชันผสม 1 หรือ 2 ครั้ง

กดปุ่มฟังก์ชันผสม	ฟังก์ชันผสม	ระยะเวลาทำอาหาร	
		ไมโครเวฟ	ย่าง
1 ครั้ง	M+GRILL	30%	70%
2 ครั้ง	LO+GRILL	55%	45%

- หมุนลูกบิดเพื่อเลือก 25:00
- กดปุ่มเริ่มทำงาน

หมายเหตุ: เครื่องจะใช้ระดับความร้อนที่ตั้งเอาไว้ล่าสุด จนกว่าจะรีเซ็ตเครื่อง หรือเมื่อตัดกระแสไฟฟ้าจากเครื่อง

เริ่มการทำงานแบบเร่งด่วน (Quick Start)

ในโหมดสแตนด์บาย กดปุ่มเริ่มทำงานหลายๆ ครั้งเพื่อตั้งเวลา สามารถตั้งได้สูงสุด 95 นาที และเครื่องจะเริ่มทำงานโดยอัตโนมัติที่ระดับความร้อน 100%

การทำอาหารตามลำดับหลายขั้นตอน

ขั้นตอนที่ 1	ละลายอาหารแช่แข็ง / ไมโครเวฟ / ย่าง / ระบบไอน้ำ / ไมโครเวฟพร้อมย่าง
ขั้นตอนที่ 2	ไมโครเวฟ / ย่าง / ระบบไอน้ำ / ไมโครเวฟพร้อมย่าง

- ตั้งโปรแกรมสำหรับขั้นตอนที่ 1 โดยไม่ต้องกดปุ่มเริ่มทำงาน
- ตั้งโปรแกรมสำหรับขั้นตอนที่ 2
- กดปุ่มเริ่มทำงาน

การละลายอาหารแช่แข็งตามเวลา

สามารถตั้งเวลาได้สูงสุด 95 นาที

1. กดปุ่มฟังก์ชันละลายอาหารแช่แข็งหลายๆ ครั้งเพื่อเลือกเวลาการละลายอาหารแช่แข็ง
2. หมุนลูกบิดเพื่อตั้งระยะเวลาที่ต้องการ
3. กดปุ่มเริ่มทำงาน

หมายเหตุ: เมื่อละลายอาหารได้ 2 ใน 3 ของระยะเวลาที่ตั้งเอาไว้ เครื่องจะหยุดชั่วคราว และมีเสียงสัญญาณเตือนเพื่อให้อาหารกลับร้อน หลังจากนั้นให้ปิดประตู แล้วกดปุ่มเริ่มทำงานเพื่อละลายอาหารต่อ

การละลายอาหารแช่แข็งตามน้ำหนัก

เครื่องจะตั้งระยะเวลาและระดับความร้อนโดยอัตโนมัติหลังจากตั้งน้ำหนักแล้ว สามารถตั้งน้ำหนักอาหารแช่แข็งได้ตั้งแต่ 100 กรัมไปจนถึง 1,000 กรัม

1. กดปุ่มฟังก์ชันละลายอาหารหลายๆ ครั้ง เพื่อเลือกน้ำหนักอาหารที่ต้องการ
2. หมุนลูกบิดเพื่อตั้งน้ำหนัก
3. กดปุ่มเริ่มทำงาน

หมายเหตุ: ในระหว่างละลายอาหาร เครื่องจะหยุดชั่วคราว และมีเสียงสัญญาณเตือนเพื่อให้อาหารกลับร้อน หลังจากนั้นให้ปิดประตู แล้วกดปุ่มเริ่มทำงานเพื่อละลายอาหารต่อ

หมายเหตุ: เครื่องจะละลายอาหารตามวิธีที่ตั้งเอาไว้ล่าสุด จนกว่าจะรีเซ็ตเครื่อง หรือเมื่อตัดกระแสไฟฟ้าจากเครื่อง

การหมักอาหาร

ฟังก์ชันนี้ช่วยให้หมักอาหารได้ง่ายยิ่งขึ้น ค่ามาตรฐานที่ตั้งเอาไว้คือ 30 องศาเซลเซียส

1. วางอาหารลงในภาชนะที่มีขนาดใหญ่ ปิดฝาภาชนะ แล้วนำเข้าเครื่อง
2. กดปุ่มฟังก์ชันหมักอาหาร 1 ครั้ง
3. หมุนลูกบิดเพื่อตั้งระยะเวลาที่ต้องการ (แนะนำให้ตั้งเวลาระหว่าง 60 นาทีถึง 95 นาที)
4. กดปุ่มเริ่มทำงาน

เมนูทำอาหารด้วยระบบไอน้ำ (ใช้คู่กับหม้อไอน้ำเท่านั้น)

1. กดปุ่มฟังก์ชันไอน้ำ 1 ครั้ง
2. หมุนลูกบิดเพื่อเลือกรหัสของเมนูที่ต้องการ
3. กดปุ่มน้ำหนัก
4. หมุนลูกบิดเพื่อเลือกน้ำหนักหรือปริมาณอาหาร
5. กดปุ่มเริ่มทำงาน

เมนูทำอาหารด้วยระบบไอน้ำ:

รหัส	เมนู	รหัส	เมนู
S-1	นึ่งปลา (กรัม)	S-4	นึ่งต้มยำ – ยูนให้ร้อน (กรัม)
S-2	นึ่งผัก (กรัม)	S-5	ข้าวสวย – ยูนให้ร้อน (กรัม)
S-3	ไต้ตุ๋น (ตามสัดส่วน)		

S-1 นึ่งปลา (กรัม)

ส่วนผสม: ปลา 200-400 กรัม

ขั้นตอน:

1. ฐานหม้อ: เติมน้ำ 200 มิลลิลิตร
2. หม้อชั้นใน: ปรงรสปลา แล้วใส่ลงในหม้อ
3. วางหม้อชั้นในลงไปบนฐานหม้อ ใส่ฝาปิด แล้วล็อกให้แน่น
4. เลือกน้ำหนักตามตารางข้างล่าง เครื่องจะตั้งระยะเวลาและระดับความร้อนโดยอัตโนมัติ:

น้ำหนัก(กรัม)	ระยะเวลา	ระดับความร้อน
200	6:00	M-HI ปานกลาง-สูง
300	8:00	
400	10:00	

S-2 นึ่งผัก (กรัม)

ส่วนผสม: ผัก 200-400 กรัม

ขั้นตอน:

1. ฐานหม้อ: เติมน้ำ 200 มิลลิลิตร
2. หม้อชั้นใน: ล้างผักให้สะอาด แล้วใส่ลงในหม้อ
3. วางหม้อชั้นในลงไปบนฐานหม้อ ใส่ฝาปิด แล้วล็อกให้แน่น
4. เลือกน้ำหนักตามตารางข้างล่าง เครื่องจะตั้งระยะเวลาและระดับความร้อนโดยอัตโนมัติ:

น้ำหนัก(กรัม)	ระยะเวลา	ระดับความร้อน
200	6:00	HI สูง
300	7:00	
400	8:00	

S-3 ไต้ตุ๋น (ตามสัดส่วน)

ส่วนผสม: ไต้ 2 ฟอง

ขั้นตอน:

1. ฐานหม้อ: เติมน้ำ 200 มิลลิลิตร
2. หม้อชั้นใน: ตอกไข่ลงในหม้อ เติมน้ำ 200 มิลลิลิตร ใส่เกลือเล็กน้อย แล้วตีไข่ให้เข้ากัน
3. วางหม้อชั้นในลงไปบนฐานหม้อ ใส่ฝาปิด แล้วล็อกให้แน่น
4. เลือกน้ำหนักตามตารางข้างล่าง เครื่องจะตั้งระยะเวลาและระดับความร้อนโดยอัตโนมัติ:

น้ำหนัก (สัดส่วน)	ระยะเวลา	ระดับความร้อน
1	7:00	MED ปานกลาง

S-4 นึ่งติ่มซำ (กรัม) – อุณหภูมิร้อน

ส่วนผสม: ติ่มซำ

ขั้นตอน:

1. ฐานหม้อ: เติมน้ำ 200 มิลลิลิตร
2. หม้อชั้นใน: ใส่ติ่มซำลงในหม้อ
3. วางหม้อชั้นในลงไปในฐานหม้อ ใส่ฝาปิด แล้วล็อกให้แน่น
4. เลือกน้ำหนักตามตารางข้างล่าง เครื่องจะตั้งระยะเวลาและระดับความร้อนโดยอัตโนมัติ:

น้ำหนัก(กรัม)	ระยะเวลา	ระดับความร้อน
100	2:00	MED ปานกลาง
200	3:30	
300	5:00	

S-5 ข้าวสวย (กรัม) – อุณหภูมิร้อน

ส่วนผสม: ข้าวสวย 200-400 กรัม

ขั้นตอน:

1. ฐานหม้อ: เติมน้ำ 200 มิลลิลิตร
2. หม้อชั้นใน: ใส่ข้าวสวยที่ต้องการอุณหภูมิร้อน
3. วางหม้อชั้นในลงไปในฐานหม้อ ใส่ฝาปิด แล้วล็อกให้แน่น
4. เลือกน้ำหนักตามตารางข้างล่าง เครื่องจะตั้งระยะเวลาและระดับความร้อนโดยอัตโนมัติ:

น้ำหนัก(กรัม)	ระยะเวลา	ระดับความร้อน
200	3:00	HI สูง
300	4:00	
400	5:00	

- หมายเหตุ:**
1. เมนูทำอาหารด้วยระบบไอน้ำจำเป็นต้องใช้คู่มือไอน้ำเท่านั้น
 2. เครื่องจะจดจำและใช้เมนูทำอาหารที่ตั้งไว้ล่าสุด จนกว่าเครื่องจะถูกรีเซ็ต หรือเมื่อตัดกระแสไฟฟ้าจากเครื่อง

การตั้งค่าระบบล็อคป้องกันเด็ก

เพื่อป้องกันไม่让孩子เปิดใช้งานเครื่อง โดยไม่มีผู้ให้คำแนะนำ

- การเปิดล็อค: ในโหมดสแตนด์บาย ให้กดปุ่มหยุด/ยกเลิก ค้างไว้ประมาณ 3 วินาที จนมีเสียงสัญญาณดังขึ้น ในโหมดล็อค จะไม่สามารถใช้งานเครื่องได้
- การยกเลิกล็อค: กดปุ่มหยุด/ยกเลิก ค้างไว้ประมาณ 3 วินาที จนมีเสียงสัญญาณดังขึ้น สามารถใช้งานเครื่องได้ตามปกติ

เมนูทำอาหารอัตโนมัติ

ไม่ต้องตั้งระยะเวลาทำอาหารและระดับความร้อน

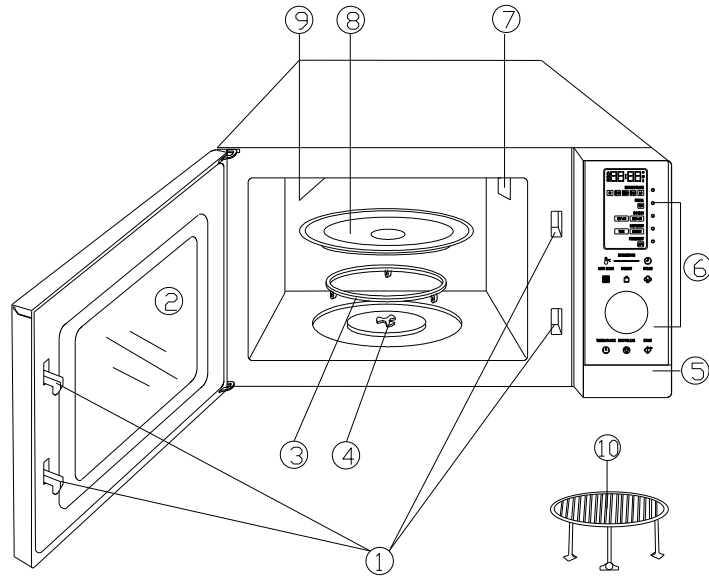
1. กดปุ่มเมนูอัตโนมัติ 1 ครั้ง
2. หมุนลูกบิดเพื่อเลือกรหัสของเมนูที่ต้องการ
3. กดปุ่มน้ำหนัก
4. หมุนลูกบิดเพื่อเลือกน้ำหนักหรือปริมาณอาหาร
5. กดปุ่มเริ่มทำงาน

เมนูทำอาหารอัตโนมัติ:

รหัส	เมนู	หมายเหตุ:
A-1	ไก่ย่าง (กรัม)	<p>หมายเหตุ:</p> <ul style="list-style-type: none"> • สำหรับเมนู A-1 ถึง A-4 และ A-9 • ในระหว่างทำอาหาร เครื่องจะหยุดชั่วคราว และมีเสียงสัญญาณเตือนให้กลับอาหารเพื่อให้อาหารสุกทั่วถึง หลังจากนั้นปิดประตู แล้วกดปุ่มเริ่มทำงานเพื่อทำอาหารต่อ • ผลการทำอาหารด้วยเมนูอัตโนมัติขึ้นอยู่กับหลายปัจจัย เช่น ความผันผวนของกระแสไฟฟ้า รูปทรงและขนาดของอาหารความพึงพอใจส่วนบุคคลเกี่ยวกับระดับความสุกของอาหารบางประเภท และยังรวมไปถึงลักษณะการวางอาหารในเครื่อง หากผลการทำอาหารไม่เป็นที่น่าพอใจ ให้ปรับระยะเวลาทำอาหารตามต้องการได้เล็กน้อย • เครื่องจะใช้เมนูทำอาหารที่ตั้งเอาไว้ล่าสุด จนกว่าจะรีเซ็ตเครื่อง หรือเมื่อตัดกระแสไฟฟ้าจากเครื่อง • สำหรับเมนู A-7 ดูเพิ่มเติมจาก “เมนูทำอาหารด้วยระบบไอน้ำ”
A-2	เนื้อวัว/เนื้อแกะอบ(กรัม)	
A-3	หมูอบ (กรัม)	
A-4	ปลาย่าง (กรัม)	
A-5	มันฝรั่งอบ (230 กรัม/ครั้ง)	
A-6	พาสต้า (กรัม)	
A-7	ข้าว (กรัม)	
A-8	โจ๊ก/ข้าวต้ม (กรัม)	
A-9	ขนมปังปิ้ง (ชิ้น)	
A-10	ป๊อปคอร์น (100 กรัม)	
A-11	ติ่มซำ (อุณหภูมิร้อน) (กรัม)	
A-12	เครื่องต้ม (200 มล./ครั้ง)	

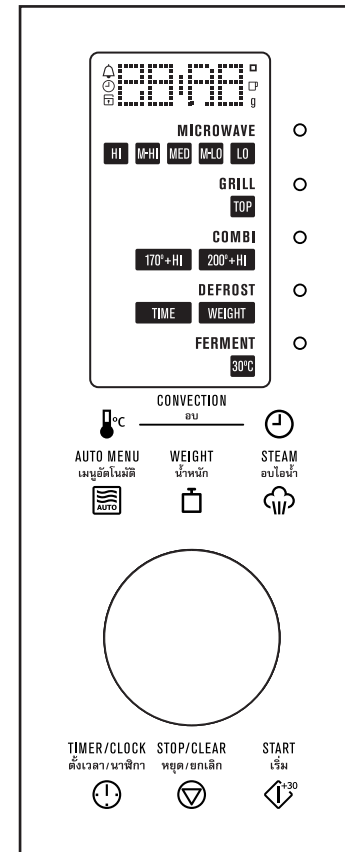
รายละเอียดของเครื่อง



รุ่น EMS3087X



- ① สวิตช์ล็อกเพื่อความปลอดภัย
- ② ช่องกะจก
- ③ วงแหวน
- ④ แกนหมุน
- ⑤ ปุ่มกดเปิดประตู
- ⑥ แผงควบคุมการทำงาน
- ⑦ ฝาปิดช่องส่งคลื่น (ห้ามถอดฝาครอบ Mica ซึ่งใช้สำหรับปิดฝาปิดช่องส่งคลื่น)
- ⑧ จานหมุนแก้ว
- ⑨ แผงทำความร้อนสำหรับย่าง
- ⑩ ตะแกรงโลหะ

แผงควบคุมการทำงาน



- **หน้าจอ**
แสดงระยะเวลาการทำอาหาร ระดับความร้อน ไฟสัญญาณต่างๆ และนาฬิกา
- **ปุ่มฟังก์ชันไมโครเวฟ**
สำหรับเลือกระดับความร้อนฟังก์ชันไมโครเวฟ
- **ปุ่มฟังก์ชันผสม**
สำหรับเลือกอุณหภูมิของฟังก์ชันไมโครเวฟพร้อมฟังก์ชันทำอาหารด้วยพัดลมกระจายความร้อน
- **ปุ่มฟังก์ชันย่าง**
สำหรับตั้งฟังก์ชันย่าง
- **ปุ่มฟังก์ชันละลายอาหาร**
สำหรับตั้งเวลาหรือน้ำหนักของโปรแกรมละลายอาหารแช่แข็ง
- **ปุ่มฟังก์ชันหมักอาหาร**
สำหรับตั้งโปรแกรมหมักอาหาร
- **ปุ่มเมนูอัตโนมัติ**
สำหรับตั้งโปรแกรมเมนูทำอาหารอัตโนมัติ
- **ปุ่มฟังก์ชันทำอาหารด้วยพัดลมกระจายความร้อน**  
สำหรับเลือกอุณหภูมิของฟังก์ชันทำอาหารด้วยพัดลมกระจายความร้อน และตั้งเวลา
- **ปุ่มน้ำหนัก**
สำหรับตั้งน้ำหนักอาหาร
- **ปุ่มอบไอน้ำ**
สำหรับตั้งเมนูทำอาหารด้วยระบบไอน้ำ
- **ปุ่มหยุด/ยกเลิก**
ใช้สำหรับหยุดเครื่องชั่วคราว ยกเลิกการตั้งค่า หรือตั้งระบบล็อคป้องกันเด็ก
- **ปุ่มตั้งเวลา/นาฬิกา**
ใช้สำหรับตั้งนาฬิกาและตั้งนาฬิกาจับเวลา
- **ลูกบิด**
ใช้สำหรับตั้งเวลาหรือเลือกน้ำหนักอาหาร
- **ปุ่มเริ่มทำงาน**
ใช้สำหรับเริ่มการทำงาน หรือเริ่มการทำงานแบบเร่งด่วน (Quick Start)

ข้อเสนอแนะการใช้งาน

- เมื่อกดปุ่มหยุด/ยกเลิก 1 ครั้ง หรือเปิดประตูในขณะที่เครื่องกำลังทำงาน โปรแกรมจะหยุดทำงานชั่วคราว กดปุ่มเริ่มทำงานเพื่อทำอาหารต่อ หรือกดปุ่มหยุด/ยกเลิก 2 ครั้งเพื่อยกเลิกโปรแกรม
- เมื่อสิ้นสุดเวลาทำอาหาร จะมีเสียงสัญญาณเตือนทุกๆ 2 นาที จนกว่าจะกดปุ่มหยุด/ยกเลิก หรือเปิดประตู

การตั้งนาฬิกา

เครื่องรุ่นนี้สามารถตั้งนาฬิกาได้แบบ 24 ชั่วโมง ในขณะที่เครื่องกำลังทำงาน สามารถดูเวลาปัจจุบันได้โดยกดปุ่มตั้งเวลา/นาฬิกา 2 ครั้ง

- กดปุ่มตั้งเวลา/นาฬิกา 2 ครั้ง
- หมุนลูกบิดเพื่อตั้งชั่วโมง
- กดปุ่มตั้งเวลา/นาฬิกาเพื่อยืนยัน
- หมุนลูกบิดเพื่อตั้งนาที
- กดปุ่มตั้งเวลา/นาฬิกาอีกครั้งเพื่อยืนยัน

การตั้งนาฬิกาจับเวลา

สามารถตั้งนาฬิกาจับเวลาเพื่อเตือนเมื่อสิ้นสุดเวลาทำอาหาร สามารถตั้งได้สูงสุด 95 นาที

ตัวอย่าง หากต้องการตั้งนาฬิกาจับเวลา 30 นาที:

- กดปุ่มตั้งเวลา/นาฬิกา 1 ครั้ง
- หมุนลูกบิดเพื่อเลือก 30:00
- กดปุ่มเริ่มทำงานเพื่อยืนยัน

หมายเหตุ:

- หากข้ามขั้นตอนที่ 2 เวลาจะเริ่มนับตั้งแต่ 0:00 ไปจนถึง 95:00
- ในขณะที่เครื่องกำลังนับเวลา สามารถดูระยะเวลาการทำอาหารได้โดยกดปุ่มตั้งเวลา/นาฬิกา
- หากตั้งนาฬิกาจับเวลาในโหมดสแตนด์บาย หน้าจอจะแสดงเวลา และสามารถตั้งโปรแกรมทำอาหารได้ เมื่อกดปุ่มหยุด/ยกเลิก 1 ครั้ง เวลาจะหยุดนับชั่วคราว หลังจากนั้นกดปุ่มเริ่มทำงานเพื่อบันทึกเวลาต่อ หรือกดปุ่มหยุด/ยกเลิก 2 ครั้งเพื่อยกเลิกนับเวลา สามารถยกเลิกการจับเวลาในขณะที่เครื่องกำลังทำงานได้

การทำอาหารด้วยฟังก์ชันไมโครเวฟ

- กดปุ่มฟังก์ชันไมโครเวฟหลายๆ ครั้งเพื่อเลือกระดับความร้อน

ระดับความร้อน	100%	80%	60%	40%	20%
หน้าจอ	HI สูง	M-HI ปานกลาง-สูง	MED ปานกลาง	M-LO ปานกลาง-ต่ำ	LO ต่ำ

- หมุนลูกบิดเพื่อตั้งระยะเวลา สามารถตั้งเวลาได้สูงสุด 95 นาที
- กดปุ่มเริ่มทำงาน

หมายเหตุ: เครื่องจะใช้ระดับความร้อนที่ตั้งเอาไว้ล่าสุด จนกว่าจะรีเซ็ตเครื่อง หรือเมื่อตัดกระแสไฟฟ้ายกจากเครื่อง

การทำอาหารด้วยฟังก์ชันย่าง


การทำอาหารเหมาะสำหรับเนื้อหนังบางๆ สเต็ก เนื้อติดกระดูก เนื้อสะเต๊ะ ไส้กรอก และชิ้นเนื้อไก่ สามารถตั้งเวลาได้สูงสุด 95 นาที

- กดปุ่มฟังก์ชันย่าง 1 ครั้ง
- หมุนลูกบิดเพื่อตั้งระยะเวลา
- กดปุ่มเริ่มทำงาน



เริ่มการทำงานแบบเร่งด่วน (Quick Start)

ในโหมดสแตนด์บาย กดปุ่มเริ่มทำงานหลายๆ ครั้งเพื่อตั้งเวลา สามารถตั้งได้สูงสุด 95 นาที และเครื่องจะเริ่มทำงานโดยอัตโนมัติที่ระดับความร้อน 100%

ฟังก์ชันทำอาหารด้วยพัดลมกระจายความร้อน


ในระหว่างการใช้ฟังก์ชันนี้ ลมร้อนจะหมุนเวียนทั่วช่องใส่อาหาร เพื่อให้อาหารกรอบอย่างรวดเร็วและทั่วถึง สามารถเลือกอุณหภูมิได้ 10 ระดับ ตั้งแต่ 110 องศาเซลเซียส ไปจนถึง 200 องศาเซลเซียส และสามารถตั้งเวลาได้สูงสุด 95 นาที ในขณะที่เครื่องกำลังทำงาน สามารถดูอุณหภูมิที่ตั้งไว้ได้โดยกดปุ่ม 

การทำอาหารด้วยฟังก์ชันพัดลมกระจายความร้อน:

- กดปุ่ม  1 ครั้ง แล้วหมุนลูกบิดเพื่อเลือกอุณหภูมิที่ต้องการ
- กดปุ่ม  1 ครั้ง
- หมุนลูกบิดเพื่อตั้งระยะเวลา
- กดปุ่มเริ่มทำงาน

การอุ่นเตาและทำอาหารด้วยฟังก์ชันพัดลมกระจายความร้อน:

เตารุ่นนี้สามารถตั้งโปรแกรมเพื่อรวมการอุ่นเตา และการทำอาหารด้วยฟังก์ชันพัดลมกระจายความร้อนได้

- กดปุ่ม  1 ครั้ง
- หมุนลูกบิดเพื่อเลือกอุณหภูมิที่ต้องการ
- กดปุ่มเริ่มทำงาน เมื่อเตาทำความร้อนได้ตามอุณหภูมิที่ตั้งโปรแกรมเอาไว้ จะมีเสียงสัญญาณเตือน
- เปิดประตู แล้ววางภาชนะที่ใส่อาหารไว้ตรงกลางจานหมุน
- หมุนลูกบิดเพื่อตั้งระยะเวลา
- กดปุ่มเริ่มทำงาน

หมายเหตุ: การทำให้เครื่องร้อนโดยอัตโนมัติอีกครั้งสูงสุด 30 นาที และไม่สามารถตั้งระยะเวลาการอุ่นเตาได้ เมื่อเตาทำความร้อนได้ตามอุณหภูมิสำหรับอุ่นเตาแล้ว เครื่องจะคงอุณหภูมินี้ไว้ 30 นาที หากไม่เปิดประตูเครื่องภายใน 30 นาที เครื่องจะหยุดทำงานโดยอัตโนมัติ

การทำอาหารด้วยฟังก์ชันไมโครเวฟพร้อมฟังก์ชันพัลสกระจายความร้อน สามารถเลือกอุณหภูมิได้ 2 ระดับ คือ 170°C + HI และ 200°C + HI

1. กดปุ่มฟังก์ชันผสม COMBI หลายๆ ครั้งเพื่อเลือกอุณหภูมิที่ต้องการ
2. หมุนลูกบิดเพื่อตั้งระยะเวลา สามารถตั้ง ได้สูงสุด 95 นาที
3. กดปุ่มเริ่มทำงาน

หมายเหตุ: เครื่องจะใช้ระดับความร้อนที่ตั้งเอาไว้ล่าสุด จนกว่าจะรีเซ็ตเครื่อง หรือเมื่อตัดกระแสไฟฟ้าจากเครื่อง

การทำอาหารตามลำดับหลายขั้นตอน

ขั้นตอนที่ 1	ละลายอาหารแช่แข็ง / ไมโครเวฟ / ย่าง / ระบบไอน้ำ / พัลสกระจายความร้อน (ไมอุ่นเตา) /ไมโครเวฟพร้อมพัลสกระจายความร้อน
ขั้นตอนที่ 2	ไมโครเวฟ / ย่าง / ระบบไอน้ำ / พัลสกระจายความร้อน (ไมอุ่นเตา) /ไมโครเวฟพร้อมพัลสกระจายความร้อน

1. ตั้งโปรแกรมสำหรับขั้นตอนที่ 1 โดยไม่ต้องกดปุ่มเริ่มทำงาน
2. ตั้งโปรแกรมสำหรับขั้นตอนที่ 2
3. กดปุ่มเริ่มทำงาน

การละลายอาหารแช่แข็งตามเวลา

สามารถตั้งเวลาได้สูงสุด 95 นาที

1. กดปุ่มฟังก์ชันละลายอาหารแช่แข็งหลายๆ ครั้งเพื่อเลือกเวลาการละลายอาหารแช่แข็ง
2. หมุนลูกบิดเพื่อตั้งระยะเวลาที่ต้องการ
3. กดปุ่มเริ่มทำงาน

หมายเหตุ: เมื่อละลายอาหารได้ 2 ใน 3 ของระยะเวลาที่ตั้งเอาไว้ เครื่องจะหยุดชั่วคราว และมีเสียงสัญญาณเตือนเพื่อให้อุ่นอาหาร หลังจากนั้นให้ปิดประตู แล้วกดปุ่มเริ่มทำงานเพื่อละลายอาหารต่อ

การละลายอาหารแช่แข็งตามน้ำหนัก

เครื่องจะตั้งระยะเวลาและระดับความร้อนโดยอัตโนมัติหลังจากตั้งน้ำหนักแล้ว สามารถตั้งน้ำหนักอาหารแช่แข็งได้ตั้งแต่ 100 กรัมไปจนถึง 1.000 กรัม

1. กดปุ่มฟังก์ชันละลายอาหารแช่แข็งหลายๆ ครั้ง เพื่อเลือกน้ำหนักอาหารที่ต้องการ
2. หมุนลูกบิดเพื่อตั้งน้ำหนัก
3. กดปุ่มเริ่มทำงาน

หมายเหตุ: ในระหว่างละลายอาหาร เครื่องจะหยุดชั่วคราว และมีเสียงสัญญาณเตือนเพื่อให้อุ่นอาหาร หลังจากนั้นให้ปิดประตู แล้วกดปุ่มเริ่มทำงานเพื่อละลายอาหารต่อ

หมายเหตุ: เครื่องจะละลายอาหารตามวิธีที่ตั้งเอาไว้ล่าสุด จนกว่าจะรีเซ็ตเครื่อง หรือเมื่อตัดกระแสไฟฟ้าจากเครื่อง

การหมักอาหาร

ฟังก์ชันนี้ช่วยให้หมักอาหารได้ง่ายยิ่งขึ้น ค่ามาตรฐานที่ตั้งเอาไว้คือ 30 องศาเซลเซียส

1. วางอาหารลงในภาชนะที่มีขนาดใหญ่ ปิดฝาภาชนะ แล้วนำเข้าเครื่อง
2. กดปุ่มฟังก์ชันหมักอาหาร 1 ครั้ง
3. หมุนลูกบิดเพื่อตั้งระยะเวลาที่ต้องการ (แนะนำให้ตั้งเวลาระหว่าง 60 นาทีถึง 95 นาที)
4. กดปุ่มเริ่มทำงาน

เมนูทำอาหารด้วยระบบไอน้ำ (ใช้ร่วมกับหม้อไอน้ำในชุดอุปกรณ์เท่านั้น)

1. กดปุ่มฟังก์ชันไอน้ำ 1 ครั้ง
2. หมุนลูกบิดเพื่อเลือกรหัสของเมนูที่ต้องการ
3. กดปุ่มน้ำหนัก
4. หมุนลูกบิดเพื่อเลือกน้ำหนักหรือปริมาณอาหาร
5. กดปุ่มเริ่มทำงาน

เมนูทำอาหารด้วยระบบไอน้ำ:

รหัส	เมนู	รหัส	เมนู
S-1	นึ่งปลา (กรัม)	S-4	นึ่งต้มยำ – อุ่นให้ร้อน (กรัม)
S-2	นึ่งผัก (กรัม)	S-5	ข้าวสวย – อุ่นให้ร้อน (กรัม)
S-3	ไข่ตุ๋น (ตามสัดส่วน)		

S-1 นึ่งปลา (กรัม)

ส่วนผสม: ปลา 200-400 กรัม

ขั้นตอน:

1. ฐานหม้อ: เติมน้ำ 200 มิลลิลิตร
2. หม้อชั้นใน: ปรุงรสปลา แล้วใส่ลงในหม้อ
3. วางหม้อชั้นในลงในฐานหม้อ ใส่ฝาปิด แล้วล็อกให้แน่น
4. เลือกน้ำหนักตามตารางข้างล่าง เครื่องจะตั้งระยะเวลาและระดับความร้อนโดยอัตโนมัติ:

น้ำหนัก(กรัม)	ระยะเวลา	ระดับความร้อน
200	6:00	M-HI ปานกลาง-สูง
300	8:00	
400	10:00	

S-2 นึ่งผัก (กรัม)

ส่วนผสม: ผัก 200-400 กรัม

ขั้นตอน:

1. ฐานหม้อ: เติมน้ำ 200 มิลลิลิตร
2. หม้อชั้นใน: ล้างผักให้สะอาด แล้วใส่ลงในหม้อ
3. วางหม้อชั้นในลงในฐานหม้อ ใส่ฝาปิด แล้วล็อกให้แน่น
4. เลือกน้ำหนักตามตารางข้างล่าง เครื่องจะตั้งระยะเวลาและระดับความร้อนโดยอัตโนมัติ:

น้ำหนัก(กรัม)	ระยะเวลา	ระดับความร้อน
200	6:00	HI สูง
300	7:00	
400	8:00	

S-3 ไซค์น (ตามสัดส่วน)

ส่วนผสม: ไซค์ 2 ฟอง

ขั้นตอน:

1. ฐานหม้อ: เติมน้ำ 200 มิลลิลิตร
2. หม้อชั้นใน: ตอกไข่ลงในหม้อ เติมน้ำ 200 มิลลิลิตร ใส่เกลือเล็กน้อย แล้วตีไข่ให้เข้ากัน
3. วางหม้อชั้นในลงในฐานหม้อ ใส่ฝาปิด แล้วล็อกให้แน่น
4. เลือกน้ำหนักตามตารางข้างล่าง เครื่องจะตั้งระยะเวลาและระดับความร้อนโดยอัตโนมัติ:

น้ำหนัก(สัดส่วน)	ระยะเวลา	ระดับความร้อน
1	7:00	MED ปานกลาง

S-4 นึ่งต้มข้าว (กรัม) – อุณหภูมิร้อน

ส่วนผสม: ต้มข้าว

ขั้นตอน:

1. ฐานหม้อ: เติมน้ำ 200 มิลลิลิตร
2. หม้อชั้นใน: ใส่ต้มข้าว ลงในหม้อ
3. วางหม้อชั้นในลงในฐานหม้อ ใส่ฝาปิด แล้วล็อกให้แน่น
4. เลือกน้ำหนักตามตารางข้างล่าง เครื่องจะตั้งระยะเวลาและระดับความร้อนโดยอัตโนมัติ:

น้ำหนัก(กรัม)	ระยะเวลา	ระดับความร้อน
100	2:00	MED ปานกลาง
200	3:30	
300	5:00	

S-5 ข้าวสวย (กรัม) – อุณหภูมิร้อน

ส่วนผสม: ข้าวสวย 200-400 กรัม

ขั้นตอน:

5. ฐานหม้อ: เติมน้ำ 200 มิลลิลิตร
6. หม้อชั้นใน: ใส่ข้าวสวยที่ต้องการอุ่นให้ร้อน
7. วางหม้อชั้นในลงในฐานหม้อ ใส่ฝาปิด แล้วล็อกให้แน่น
8. เลือกน้ำหนักตามตารางข้างล่าง เครื่องจะตั้งระยะเวลาและระดับความร้อนโดยอัตโนมัติ:

น้ำหนัก(กรัม)	ระยะเวลา	ระดับความร้อน
200	3:00	HI สูง
300	4:00	
400	5:00	

- หมายเหตุ:**
1. เมนูทำอาหารด้วยระบบไอน้ำจำเป็นต้องใช้คู่กับหม้อไอน้ำในชุดอุปกรณ์เท่านั้น
 2. เครื่องจะจดจำและใช้เมนูทำอาหารที่ตั้งไว้ล่าสุด จนกว่าเครื่องจะถูกรีเซ็ต หรือเมื่อตัดกระแสไฟฟ้าจากเครื่อง

การตั้งค่าระบบล็อกป้องกันเด็ก

เพื่อป้องกันไม่让孩子เปิดใช้งานเครื่อง โดยไม่มีผู้ให้คำแนะนำ

- การเปิดล็อก: ในโหมดสแตนด์บาย ให้กดปุ่มหยุด/ยกเลิก ค้างไว้ประมาณ 3 วินาที จนมีเสียงสัญญาณดังขึ้น ในโหมดล็อก จะไม่สามารถใช้งานเครื่องได้
- การยกเลิกล็อก: กดปุ่มหยุด/ยกเลิก ค้างไว้ประมาณ 3 วินาที จนมีเสียงสัญญาณดังขึ้น สามารถใช้งานเครื่องได้ตามปกติ

ระบบป้องกันอัตโนมัติ

ระบบป้องกันเมื่อเกิดอุณหภูมิสูง: เมื่ออุณหภูมิสูงมากเกินไป เสียงสัญญาณเตือนจะดังขึ้นและ “E01” แสดงที่หน้าจอจนกว่าจะกดปุ่มยกเลิกเพื่อกลับเข้าสู่สภาวะปกติ ให้เปิดประตูเครื่องเพื่อให้ช่องใส่อาหารเย็นลง หรือติดต่อศูนย์บริการอิเล็กทรอนิกส์เพื่อทำการตรวจเช็ค

ระบบป้องกันเมื่อเกิดอุณหภูมิต่ำ: เมื่ออุณหภูมิต่ำมากเกินไป เสียงสัญญาณเตือนจะดังขึ้นและ “E02” แสดงที่หน้าจอจนกว่าจะกดปุ่มหยุดเพื่อกลับเข้าสู่สภาวะปกติ โปรดติดต่อศูนย์บริการอิเล็กทรอนิกส์เพื่อทำการตรวจเช็ค

ระบบเซ็นเซอร์ป้องกันสิ่งผิดปกติ: เมื่อเซ็นเซอร์เกิดการลัดวงจรขึ้น เครื่องจะเข้าสู่โหมดป้องกัน เสียงสัญญาณเตือนจะดังขึ้นและ “E03” แสดงที่หน้าจอจนกว่าจะกดปุ่มหยุดเพื่อกลับเข้าสู่สภาวะปกติ โปรดติดต่อศูนย์บริการอิเล็กทรอนิกส์เพื่อทำการตรวจเช็ค และเปลี่ยนเซ็นเซอร์ใหม่

เมนูทำอาหารอัตโนมัติ

ไม่ต้องตั้งระยะเวลาทำอาหารและระดับความร้อน

1. กดปุ่มเมนูอัตโนมัติ 1 ครั้ง
2. หมุนลูกบิดเพื่อเลือกรหัสของเมนูที่ต้องการ
3. กดปุ่มน้ำหนัก
4. หมุนลูกบิดเพื่อเลือกน้ำหนักหรือปริมาณอาหาร
5. กดปุ่มเริ่มทำงาน

เมนูทำอาหารอัตโนมัติ:

รหัส	เมนู	
A-1	ไถ่ย่าง (กรัม)	<p>หมายเหตุ: • สำหรับเมนู A-1 ถึง A-4 และ A-11 ในระหว่างทำอาหาร เครื่องจะหยุดชั่วคราว และมีเสียงสัญญาณเตือนให้กลับอาหารเพื่อให้อาหารสุกทั่วถึง หลังจากนั้นปิดประตู แล้วกดปุ่มเริ่มทำงานเพื่อทำอาหารต่อ</p> <ul style="list-style-type: none">• ผลการทำอาหารด้วยเมนูอัตโนมัติขึ้นอยู่กับปัจจัย เช่น ความผันผวนของกระแสไฟฟ้า รูปทรงและขนาดของอาหารความพึงพอใจส่วนบุคคลเกี่ยวกับระดับความสุกของอาหารบางประเภท และยิ่งรวมถึงลักษณะการวางอาหารในเครื่อง หากผลการทำอาหารไม่เป็นที่น่าพอใจ ให้ปรับระยะเวลาทำอาหารตามต้องการได้เล็กน้อย• เครื่องจะใช้เมนูทำอาหารที่ตั้งเอาไว้ล่าสุด จนกว่าจะรีเซ็ตเครื่อง หรือเมื่อตัดกระแสไฟฟ้าจากเครื่อง• สำหรับเมนู A-8 ดูเพิ่มเติมจาก “เมนูทำอาหารด้วยระบบไอน้ำ”
A-2	เนื้อวัว/เนื้อแกะอบ (กรัม)	
A-3	หมูอบ (กรัม)	
A-4	ปลาย่าง (กรัม)	
A-5	มันฝรั่งอบ (230 กรัม/ครั้ง)	
A-6	พิซซ่าแซ่แข็ง (กรัม)	
A-7	พาสต้า (กรัม)	
A-8	ข้าว (กรัม)	
A-9	โจ๊ก/ข้าวต้ม (กรัม)	
A-10	เค้ก (475 กรัม)	
A-11	ขนมปังปิ้ง (ชิ้น)	
A-12	บิออคอรัน (100 กรัม)	
A-13	ติ่มซำ (อุ่นให้ร้อน) (กรัม)	
A-14	เครื่องต้ม (200 มล./ครั้ง)	

ข้อกำหนดทางเทคนิค

รุ่น	EMS3085X	EMS3087X
แรงดันไฟฟ้า:	ดูจากแผ่นป้ายแสดงกำลังไฟ	ดูจากแผ่นป้ายแสดงกำลังไฟ
กำลังไฟออกจากเครื่อง	900 วัตต์	900 วัตต์
ความถี่	2,450 MHz	2,450 MHz
ขนาดผลิตภัณฑ์ภายนอก	538 (กว้าง)x436 (ลึก)x294 (สูง) มม.	538 (กว้าง)x436 (ลึก)x294 (สูง) มม.
ขนาดช่องใส่อาหาร	354 (กว้าง)x358 (ลึก)x240 (สูง) มม.	354 (กว้าง) x358 (ลึก)x240 (สูง) มม.
ความจุ	30 ลิตร	30 ลิตร
รูปแบบการทำอาหาร	จานหมุน	จานหมุน
น้ำหนัก	ประมาณ 17 กก.	ประมาณ 18.3 กก.

รายการสินค้า

1. เตอบนไมโครเวฟ* 1 เครื่อง
2. คู่มือการใช้งาน* 1 ฉบับ
3. ตะแกรงโลหะ* 1 ชิ้น
4. จานหมุนแก้ว* 1 ชิ้น
5. วงแหวน* 1 ชิ้น
6. ชุดหม้อไอน้ำ* 1 ชุด (อุปกรณ์เสริมเฉพาะรุ่น EMS3087X)

RoHS
Compliant.

ข้อมูลด้านสิ่งแวดล้อม

หากต้องการกำจัดเครื่องทิ้งในอนาคต อย่างที่ผลิตภัณฑ์นี้ร่วมกับขยะมูลฝอยในครัวเรือน โปรดทิ้งในจุดเก็บขยะสำหรับการนำกลับมาใช้ใหม่ของอุปกรณ์อิเล็กทรอนิกส์

ผลิตภัณฑ์นี้ตรงตามมาตรฐานเพื่อสิ่งแวดล้อม RoHS

การทำความสะอาดและการดูแลรักษาเครื่อง

1. ปิดสวิทช์เครื่อง และถอดปลั๊กออกจากเต้าจ่ายไฟก่อนทำความสะอาดทุกครั้ง
2. ทำความสะอาดด้านในเครื่องอยู่เสมอ เช็ดคราบอาหารที่หกหรือกระเด็นอยู่ที่ผนังด้านในเครื่องด้วยผ้านุ่มชุบน้ำหมาดๆ ใช้น้ำยาทำความสะอาดชนิดอ่อนสำหรับคราบสกปรกที่เช็ดออกได้ยาก ห้ามใช้สเปรย์และน้ำยาทำความสะอาดที่มีฤทธิ์กัดกร่อน เพราะจะทิ้งคราบ ริวรอย หรือทำให้สีของพื้นผิวประตูซีดได้
3. ทำความสะอาดพื้นผิวด้านนอกเครื่องด้วยผ้านุ่มชุบน้ำหมาดๆ เพื่อป้องกันไม่ให้ชิ้นส่วนของเครื่องเสียหาย ห้ามทำน้ำหกในช่องระบายอากาศ
4. เช็ดประตูและช่องกระจกทั้ง 2 ด้าน ซิลขอบประตู และชิ้นส่วนที่อยู่ติดกันเสมอด้วยผ้านุ่มชุบน้ำหมาดๆ เพื่อเช็ดคราบอาหารที่หกหรือกระเด็นติดอยู่ ห้ามใช้น้ำยาทำความสะอาดที่มีฤทธิ์กัดกร่อน
5. ควรระวังไม่ให้แผงควบคุมการทำงานเปียกน้ำ ให้ใช้ผ้านุ่มชุบน้ำหมาดๆ เช็ดให้สะอาด เปิดประตูเครื่อง ขณะทำความสะอาดแผงควบคุมการทำงาน เพื่อป้องกันไม่ให้เครื่องทำงานโดยไม่ได้ตั้งใจ
6. หากเกิดไอน้ำสะสมอยู่ตามด้านในหรือด้านนอกของประตู ให้ใช้ผ้านุ่มเช็ดให้แห้ง ซึ่งอาจเกิดขึ้นได้ในกรณีที่เตาไมโครเวฟทำงานในสภาวะที่มีความชื้นสัมพัทธ์สูง ซึ่งถือเป็นเรื่องปกติสำหรับการทำอาหารด้วยเตาไมโครเวฟ
7. ถอดจานหมุนแก้วออกทำความสะอาดเป็นครั้งคราว ให้ล้างด้วยน้ำสบู่อุ่นหรือเครื่องล้างจาน
8. ทำความสะอาดวงแหวนและพื้นเตาไมโครเวฟเป็นประจำเพื่อป้องกันไม่ให้เกิดเสียงดังในขณะที่เครื่องทำงาน เช็ดพื้นผิวด้านล่างด้วยน้ำยาทำความสะอาดชนิดอ่อน และล้างวงแหวนด้วยน้ำสบู่ชนิดอ่อนหรือเครื่องล้างจาน หลังจากถอดวงแหวนออกทำความสะอาดเสร็จแล้ว ให้ตรวจดูว่าใส่กลับเข้าที่เดิมเรียบร้อยแล้ว
9. เพื่อขจัดกลิ่นไม่พึงประสงค์ออกจากด้านในเตา ให้ผสมน้ำ 1 แก้วกับน้ำมะนาวและเปลือกมะนาว 1 ชิ้น ใส่ในถ้วยที่สามารถนำเข้าเครื่องได้ ต้มในเตาไมโครเวฟประมาณ 5 นาที หลังจากนั้นเช็ดให้ทั่ว แล้วใช้ผ้านุ่มเช็ดให้แห้ง
10. เมื่อต้องการเปลี่ยนหลอดไฟในเตา โปรดติดต่อศูนย์บริการอิเล็กทรอนิกส์
11. ควรทำความสะอาดเตาไมโครเวฟและจัดคราบอาหารออกจากเตาเสมอ หากเตาไมโครเวฟไม่สะอาด จะทำให้ผิวเตาเสียหาย ลดอายุการใช้งาน และอาจทำให้เกิดอันตรายได้
12. ห้ามทิ้งผลิตภัณฑ์นี้ร่วมกับขยะมูลฝอยในครัวเรือน เครื่องเก่าควรถูกทิ้งในจุดเก็บขยะสำหรับการนำกลับมาใช้ใหม่ของอุปกรณ์อิเล็กทรอนิกส์
13. อาจเกิดควันหรือได้กลิ่นเหม็นไหม้เมื่อใช้ฟังก์ชันย่างเป็นครั้งแรก ซึ่งถือเป็นเรื่องปกติ เพราะเตาทำจากแผ่นเหล็กเคลือบน้ำมันหล่อลื่น เตาเครื่องใหม่จึงเกิดควันหรือกลิ่นที่เกิดจากการเผาไหม้ของน้ำมันหล่อลื่น และจะหายไปเมื่อใช้งานได้สักระยะ

ศูนย์บริการลูกค้า

<p>Thailand Call Center Tel : (+66 2) 725 9000 Electrolux Thailand Co.,Ltd. Electrolux Building 14th Floor 1910 New Petchburi Road, Bangkapi,Huay Kwang, Bangkok 10310 Office Tel : (+66 2) 259100 Office Fax : (+66 2) 259299 Email : customercaethai@electrolux.com</p>	<p>Singapore CONSUMER CARE HOTLINE : (+65) 6727 3699 Electrolux S.E.A. Pte Ltd. 1 Fusionopolis Place, #07-10 Galaxis, West Lobby Singapore 138522. Office Fax : (+65) 67273611 Email : customer-care.sin@electrolux.com</p>
<p>Indonesia Tel : (+62 21) 522 7180 PT. Electrolux Indonesia Gedung Plaza Kuningan Menara Utara 2nd Floor, Suite 201, Jl. HR Rasuna Said kav C 11-14, Karet Setiabudi Jakarta Selatan 12940 Office Tel: (+62 21) 522 7099 Office Fax: (+62 21) 522 7097 Email : customercare@electrolux.co.id</p>	<p>Philippines Domestic Toll Free : 1-800-10-845-care 2273 Customer Care Hotline : (+63 2) 845 care 2273 Electrolux Philippines, Inc. 10th Floor, W5th Avenue Building 5th Avenue Corner 32nd Street Bonifacio Global City, Taguig Philippines 1634 Trunkline: +63 2 737- 4756 Website : www.electrolux.com.ph Email : wecare@electrolux.com</p>
<p>Vietnam Domestic Toll Free : 1800-58-88-99 Tel : (+84 8) 3910 5465 Electrolux Vietnam Ltd. Floor 9th, A&B Tower 76 Le Lai street – Ben Thanh Ward – District 1 Ho Chi Minh City , Vietnam Office Tel : (+84 8) 3910 5465 Office Fax : (+84 8) 3910 5470 Email : vncare@electrolux.com</p>	<p>Malaysia Domestic Toll Free: 1300-88-11-22 Electrolux Home Appliances Sdn. Bhd. Corporate Office Address: 7th Floor, Tower 2, Jaya 33, No. 3 Jalan Semangat, Seksyen 13, 46100 Petaling Jaya, Selangor. Corporate Office Tel: (+60 3) 7843 5999 Corporate Office Fax: (+60 3) 7955 5511</p>
<p>Hongkong Tel: (+852) 8203 0298 Dah Chong Hong, Ltd. – Service Centre 8/F., Yee Lim Godown Block C 2-28 Kwai Lok Street, Kwai Chung, N.T. Hong Kong</p>	<p>Consumer Care Center Address: Lot C6, No. 28, Jalan 15/22, Taman Perindustrian Tiong Nam, 40200 Shah Alam, Selangor Consumer Care Center Tel:(+60 3) 5525 0800 Consumer Care Center Fax:(+60 3) 5524 2521 Email: malaysia.customercare@electrolux.com</p>

www.electrolux.com

ผู้นำนวัตกรรมการออกแบบที่คิดคำนึงถึงผู้บริโภค

คุณยังจำครั้งสุดท้าย เวลาที่คุณเปิดของขวัญชิ้นหนึ่งแล้วต้องบอกว่า “ว้าว คุณรู้ได้อย่างไรว่าฉันอยากได้ของขวัญชิ้นนี้ นี่คือสิ่งที่ฉันอยากได้มากที่สุด?” นั่นคือความรู้สึกที่ผู้บริโภคจะได้รับจากผลิตภัณฑ์ทุกชิ้นของอีเลคโทรลักซ์ เราได้ทุ่มเทเวลา ความรู้ และความเข้าใจในพฤติกรรมของผู้บริโภคเพื่อที่จะคิดค้นและสร้างสรรค์ ผลิตภัณฑ์ที่สามารถตอบรับกับความต้องการที่แท้จริงของพวกเขาเหล่านั้น

การคิดคำนึงถึงผู้บริโภคก่อให้เกิดการผลิตรายการที่ตรงต่อความต้องการของผู้บริโภคอย่างแท้จริง อีเลคโทรลักซ์ไม่ได้ออกแบบผลิตภัณฑ์เพียงแค่เป็นงานออกแบบชิ้นหนึ่งเท่านั้น แต่งานออกแบบทุกชิ้นคือการออกแบบเพื่อผู้บริโภค สำหรับอีเลคโทรลักซ์ งานออกแบบที่คำนึงถึงผู้บริโภคหมายถึงการออกแบบผลิตภัณฑ์ที่ง่ายต่อการใช้งาน ให้ความสนุกสนานขณะใช้เครื่อง และยังให้ผู้ใช้มีเวลาเหลือและอิสระไปกับความหรูหราในยุคศตวรรษที่ 21 อีเลคโทรลักซ์ได้มอบความสะอาดสบายใจอย่างยิ่งยวดให้กับผู้บริโภค ให้ความมุ่งมั่นที่จะมอบความสะอาดสบายที่ยิ่งกว่าให้กับผู้บริโภคมากยิ่งขึ้น ในทุกๆ ช่วงเวลาของพวกเขา ในทุกๆ วัน และให้กับผู้บริโภคในทั่วทุกมุมโลก

“Thinking of You” คือคำสัญญาจากอีเลคโทรลักซ์ที่เป็นมากกว่าการสร้างสรรค์ผลิตภัณฑ์ที่ตรงใจผู้บริโภคในปัจจุบัน แต่ยังมีความหมายว่าอีเลคโทรลักซ์ให้คำมั่นที่จะสร้างสรรค์ผลิตภัณฑ์ที่เป็นมิตรต่อสิ่งแวดล้อมสำหรับโลกในวันนี้ และในอนาคตสืบต่อไป

อีเลคโทรลักซ์ เพราะเราไม่หยุดคิด เพื่อชีวิตคุณ

Electrolux. Thinking of you.

มีสิ่งดีๆ ที่เราคิดเพื่อคุณอีกมากที่ www.electrolux.co.th

MỤC LỤC

Chú ý tránh tiếp xúc trực tiếp với năng lượng sóng điện từ	2
Những chỉ dẫn an toàn quan trọng	2
Hướng dẫn lắp đặt	4
Tác động gây nhiễu radio	6
Trước khi gọi điện đến Trung tâm Dịch vụ Khách hàng	7
Các vật dụng sử dụng được trong lò vi sóng	8
EMS3085X	
Sơ đồ sản phẩm	9
Bảng điều khiển	10
Hướng dẫn vận hành	11
Thực đơn tự động	16
EMS3087X	
Sơ đồ sản phẩm	17
Bảng điều khiển	18
Hướng dẫn vận hành	19
Thực đơn tự động	25
Thông số kỹ thuật	26
Vệ sinh và bảo trì	27
Trung tâm Dịch vụ Khách hàng	28

Chú ý tránh tiếp xúc trực tiếp với năng lượng sóng điện từ

1. Không cố vận hành thiết bị khi cửa lò đang mở vì việc vận hành lò khi cửa lò mở có thể dẫn tới sự tiếp xúc có hại với năng lượng sóng điện từ. Không được làm gãy hoặc kẹt khóa liên động an toàn.
2. Không đặt bất cứ vật gì giữa mặt trước cửa lò vi sóng và cánh cửa hoặc để bụi bẩn hoặc chất tẩy rửa còn dư tích tụ ở bề mặt gioăng cửa.
3. Không vận hành lò nếu lò bị hư hại. Điều đặc biệt quan trọng là cửa lò phải được đóng chặt và không có hư hại xảy ra đối với
 - a) Cửa lò (bị cong vênh),
 - b) Bản lề và chốt (bị gãy hoặc bị lỏng),
 - c) Gioăng cửa và bề mặt gioăng cửa
4. Không được tự ý điều chỉnh hoặc sửa chữa lò vi sóng, trừ khi việc này được thực hiện bởi nhân viên dịch vụ có tay nghề.

Những chỉ dẫn an toàn quan trọng

Khi sử dụng các thiết bị điện, quý khách cần tuân thủ những chú ý an toàn cơ bản, bao gồm những điều sau:

CẢNH BÁO! Để giảm thiểu nguy cơ bị bỏng, chập điện, cháy, bị thương ở người hoặc tiếp xúc với năng lượng sóng điện từ:

1. Đọc toàn bộ hướng dẫn sử dụng trước khi sử dụng thiết bị.
2. Chỉ sử dụng lò đối với các mục đích sử dụng được nêu trong sách hướng dẫn. Không dùng chất tẩy rửa hóa học trong lò. Kiểu lò này chỉ được thiết kế để làm nóng, nấu hoặc sấy khô thực phẩm. Không được sử dụng lò cho các mục đích công nghiệp hay trong phòng thí nghiệm.
3. Không vận hành lò khi lò trống.
4. Không vận hành thiết bị nếu dây hoặc phích cắm điện bị hư hỏng hoặc hoạt động không bình thường, hoặc bị rơi. Nếu dây điện bị hư hỏng, việc thay thế phải được thực hiện bởi nhà sản xuất, các trung tâm dịch vụ ủy quyền hay kỹ sư điện có tay nghề để tránh những nguy hiểm tiềm tàng.
5. **CẢNH BÁO!** Khi thiết bị hoạt động ở chế độ nấu kết hợp, trẻ nhỏ chỉ được sử dụng thiết bị khi có sự giám sát của người lớn do lượng nhiệt lớn sinh ra trong quá trình nấu.
6. **CẢNH BÁO!** Chỉ cho phép trẻ em sử dụng lò mà không có sự giám sát của người lớn khi đã hướng dẫn trẻ sử dụng lò kỹ càng, giúp trẻ biết được cách sử dụng lò an toàn và hiểu được các mối nguy hiểm có thể xảy ra nếu sử dụng lò không đúng cách.
7. Để giảm thiểu nguy cơ cháy trong khoang lò:
 - Khi hâm nóng thực phẩm trong hộp đựng bằng giấy hoặc bằng nhựa, chú ý theo dõi lò thường xuyên bởi đồ đựng có thể bị bắt lửa.
 - Tháo bỏ các dây buộc và móc bằng kim loại khỏi túi/hộp đựng thực phẩm bằng giấy hoặc nhựa trước khi đặt chúng vào lò.
 - Nếu thấy có khói bốc ra, hãy rút phích cắm và không mở cửa lò để tránh cháy.
 - Không sử dụng khoang lò để cất giữ đồ vật. Không để đồ giấy, dụng cụ nhà bếp hoặc thức ăn trong khoang lò khi không sử dụng.

8. **CẢNH BÁO!** Không nên đun nóng chất lỏng và các thực phẩm khác khi đựng trong các hộp kín vì việc này có thể gây nổ.
9. Việc hâm nóng chất lỏng trong lò vi sóng có thể dẫn đến hiện tượng sôi trào, bởi vậy cần phải cẩn thận khi tiếp xúc với bình chứa sau khi nấu.
10. Không rán thực phẩm trong lò. Dầu nóng có thể gây hư hại đến các bộ phận của lò và các vật đựng và có thể gây bỏng da.
11. Không nên nấu trứng nguyên quả và trứng chần đã bóc vỏ trong lò vi sóng bởi chúng có thể bị nổ, ngay cả khi quá trình làm nóng của lò vi sóng đã kết thúc.
12. Châm vào một số loại thực phẩm có vỏ dày như khoai tây, bí nguyên quả, táo và hạt dẻ trước khi nấu.
13. Cần kiểm tra nhiệt độ và khuấy đều chất lỏng trong các chai sữa và đồ ăn của trẻ em trước khi sử dụng để tránh bị phỏng.
14. Các dụng cụ nấu bếp có thể sẽ nóng vì nhiệt truyền từ thực phẩm vừa được hâm nóng. Nên sử dụng găng tay dùng trong lò vi sóng để cầm chúng.
15. Cần kiểm tra các dụng cụ nấu bếp để đảm bảo rằng các dụng cụ này phù hợp cho việc sử dụng trong lò vi sóng.
16. **CẢNH BÁO!** Việc tự ý sửa chữa lò vi sóng, trong đó có tháo bỏ tấm chắn an toàn giúp bảo vệ người dùng khỏi việc tiếp xúc trực tiếp với năng lượng vi ba, nếu được thực hiện bởi người không có trình độ chuyên môn kỹ thuật sẽ rất nguy hiểm.
17. Sản phẩm này là một thiết bị nhóm 2, loại B ISM. Định nghĩa nhóm 2 bao gồm tất cả các thiết bị ISM (Industrial – Công nghiệp, Scientific – Khoa học, Medical – Y tế) mà năng lượng tần số vô tuyến được tạo ra và/hoặc sử dụng có chủ ý dưới dạng bức xạ điện từ để xử lý vật liệu; và các thiết bị ăn mòn xung điện. Thiết bị thuộc loại B là các thiết bị phù hợp với mục đích sử dụng trong gia đình và được nối với nguồn điện có điện áp thấp trong các tòa nhà với mục đích sử dụng trong gia đình.
18. Thiết bị này không dành cho những người (bao gồm cả trẻ em) suy giảm thể chất, cảm giác, thiếu năng trí tuệ hay không có kinh nghiệm sử dụng trừ khi họ được giám sát hoặc được chỉ dẫn liên quan đến sử dụng thiết bị bởi người có trách nhiệm với sự an toàn của họ.
19. Trẻ em phải được giám sát để tránh việc các bé đùa nghịch với thiết bị.
20. Lò vi sóng được sử dụng mà không cần giá đỡ.
21. **CẢNH BÁO!** Không lắp đặt lò vi sóng phía trên bếp đun hoặc các thiết bị sinh nhiệt khác. Việc này có thể gây hư hại cho lò vi sóng và vô hiệu hóa các dịch vụ bảo hành.
22. Bề mặt tiếp xúc có thể nóng lên khi lò hoạt động.
23. Lò vi sóng không được đặt âm trong kệ tủ.
24. Cánh cửa hoặc bề mặt bên ngoài của lò vi sóng có thể nóng lên khi lò đang hoạt động.
25. Nhiệt độ ở bề mặt tiếp xúc có thể tăng cao khi lò hoạt động.
26. Thiết bị nên được đặt dựa vào tường.

27. **CẢNH BÁO!** Nếu cánh cửa hoặc gioăng cửa bị hư hại, không được sử dụng thiết bị cho tới khi thiết bị được sửa chữa bởi người có chuyên môn kỹ thuật.
28. Thiết bị không được thiết kế để có thể vận hành bởi thiết bị bấm giờ bên ngoài hoặc hệ thống điều khiển từ xa.
29. Lò vi sóng chỉ được sử dụng trong các hộ gia đình và không được dùng với mục đích thương mại.
30. Không được tháo bỏ miếng chắn khoảng cách ở mặt sau và 2 bên của lò vi sóng để đảm bảo khoảng cách tối thiểu giữa lò vi sóng và tường, tạo điều kiện cho việc thông gió.
31. Vui lòng giữ chắc bộ bàn xoay trước khi di chuyển thiết bị để tránh bị hư hại.
32. **CHÚ Ý!** Sẽ rất nguy hiểm nếu việc tự ý sửa chữa hoặc bảo trì lò vi sóng, trong đó có tháo bỏ tấm chắn an toàn giúp bảo vệ người dùng khỏi việc tiếp xúc trực tiếp với năng lượng vi ba, được thực hiện bởi người không có trình độ chuyên môn kỹ thuật. Điều này áp dụng cả trong trường hợp thay dây nguồn hoặc đèn trong lò vi sóng. Vui lòng đưa sản phẩm trong các trường hợp trên tới Trung tâm Dịch vụ Khách hàng của Electrolux.
33. Lò vi sóng này được thiết kế chỉ với mục đích rà đông, nấu và hấp thực phẩm.
34. Sử dụng găng tay để lấy các đồ ăn được hâm nóng lại.
35. Chú ý! Hơi nước sẽ thoát ra khi mở nắp đậy hoặc bao gói thực phẩm.
36. Thiết bị này chỉ được sử dụng bởi trẻ em từ 8 tuổi trở lên và người suy giảm thể chất, cảm giác, thiếu năng trí tuệ hay không có kinh nghiệm sử dụng nếu họ được giám sát hoặc chỉ dẫn liên quan đến sử dụng thiết bị an toàn và hiểu được các nguy hiểm tiềm tàng. Trẻ em không được đùa nghịch với thiết bị. Việc vệ sinh và bảo trì thiết bị chỉ được thực hiện bởi trẻ em trên 8 tuổi và có sự giám sát của người lớn.
37. Nếu thấy có khói bốc ra, hãy tắt lò vi sóng hoặc rút phích cắm và không mở cửa lò để tránh cháy.
38. Nghiêm cấm việc đặt trứng nguyên quả vào nấu dù bất kỳ chế độ nấu nào.

Hướng dẫn lắp đặt

1. Tháo tất cả các bao bì đóng gói ở phía bên trong của cửa lò ra.
2. **CẢNH BÁO:** Kiểm tra lò vi sóng để đảm bảo rằng lò không có bất kỳ hư hỏng nào chẳng hạn như cửa bị lệch hoặc cong vênh, gioăng cửa và bề mặt cửa bị hư hại, bản lề và chốt khóa bị gãy hoặc bị lỏng và có vết lõm trong khoang lò sau cánh cửa. Nếu có bất kỳ hư hỏng nào, vui lòng không vận hành lò và liên hệ với người có chuyên môn kỹ thuật.
3. Lò vi sóng phải được đặt trên mặt phẳng bằng phẳng và vững chắc để chịu được trọng lượng của lò và khối lượng tối đa thực phẩm có thể được nấu ở trong lò.
4. Không đặt lò ở nơi sinh nhiệt, hơi nước hoặc độ ẩm cao, hoặc gần các vật liệu dễ cháy.
5. Để vận hành đúng, lò vi sóng cần có luồng khí lưu thông đủ. Để trống 20cm bên trên lò, 10cm đằng sau lò và 5cm ở hai bên lò. Không che hoặc chặn các lỗ thoát khí của thiết bị. Không tháo chân của lò vi sóng.
6. Không vận hành lò mà không có khay thủy tinh, vòng quay đĩa và trục quay đĩa ở vị trí thích hợp của chúng.
7. Đảm bảo rằng dây điện không bị hư hại và không đi dây bên dưới lò vi sóng hoặc bên trên bất kỳ bề mặt nóng hoặc nhọn nào.
8. Ổ cắm điện phải dễ với tới để có thể dễ dàng rút phích cắm ra khỏi ổ trong trường hợp khẩn cấp.
9. Không sử dụng lò vi sóng ngoài trời.

Hướng dẫn nối đất

Thiết bị phải được nối đất. Lò vi sóng được trang bị dây dẫn điện có dây tiếp đất với phích cắm điện. Phích cắm tiếp đất phải được cắm với nguồn điện được lắp đặt và nối tiếp đất đúng cách. Trong trường hợp đoạn mạch, nối tiếp đất sẽ hạn chế nguy cơ chập điện bằng cách truyền dòng điện xuống đất thông qua dây thoát. Chúng tôi khuyến cáo quý khách sử dụng một mạch điện riêng cho lò vi sóng. Sử dụng nguồn điện cao thế rất nguy hiểm và có thể dẫn tới cháy hoặc tai nạn khác gây nên hư hại cho lò vi sóng.

CẢNH BÁO! Việc nối đất không đúng cách có thể dẫn tới nguy cơ chập điện.

Lưu ý:

1. Xin vui lòng tham khảo tư vấn của kỹ sư điện hoặc nhân viên dịch vụ nếu quý khách không hoàn toàn hiểu các hướng dẫn nối đất hoặc các chỉ dẫn về điện.
 2. Nhà sản xuất và đại lý phân phối sẽ không chịu trách nhiệm đối với những hư hại cho lò vi sóng hoặc những thương tích ở người bởi việc không tuân thủ quy trình nối đất.
- Dây điện trong dây dẫn chính được quy định bằng các màu sắc như sau:

Xanh lá cây và vàng = Dây nối đất

Xanh da trời = Dây mát

Nâu = Dây nóng

Tác động gây nhiễu radio

Hoạt động của lò vi sóng có thể gây nhiễu sóng cho radio, ti vi hoặc các thiết bị tương tự. Quý khách có thể làm giảm hoặc loại bỏ hiện tượng trên bằng cách thực hiện các biện pháp sau:

1. Lau sạch cửa và bề mặt gioăng cửa của lò vi sóng.
2. Điều chỉnh hướng của ăng-ten của radio hoặc ti vi.
3. Thay đổi vị trí của lò so với thiết bị thu phát.
4. Chuyển lò vi sóng ra xa vị trí đặt để thiết bị thu phát.
5. Cắm lò vi sóng vào một ổ cắm khác để lò vi sóng không cùng nhánh điện với thiết bị thu phát

Trước khi gọi điện đến Trung tâm Dịch vụ Khách hàng

Trước khi gọi điện đến Trung tâm Dịch vụ Khách hàng, vui lòng kiểm tra những trường hợp sau đây:

- Kiểm tra để đảm bảo rằng lò vi sóng đã được cắm điện chắc chắn. Nếu không, rút phích cắm ra khỏi ổ, chờ 10 giây, và cắm lại chắc chắn.
- Kiểm tra cầu chì xem có bị cháy không hoặc mạch bị đoản mạch. Nếu mạch điện hoạt động bình thường, thử mạch điện với thiết bị khác.
- Kiểm tra để đảm bảo rằng bảng điều khiển được thiết lập đúng cách và đồng hồ hẹn giờ đã được thiết lập.
- Kiểm tra để đảm bảo rằng cửa lò đã được đóng chắc chắn với hệ thống khóa an toàn. Nếu không, năng lượng sóng điện từ sẽ không lưu thông trong lò.

NẾU KHÔNG CÓ TRƯỜNG HỢP NÀO KỂ TRÊN XẢY RA, VUI LÒNG LIÊN HỆ KỸ SƯ ĐIỆN CÓ TRÌNH ĐỘ.

VUI LÒNG KHÔNG TỰ Ý SỬA CHỮA LÒ VI SÓNG.

Các kỹ thuật nấu ăn

1. Sắp xếp thực phẩm cẩn thận. Đặt phần dày nhất hướng ra phía ngoài của đĩa đựng.
2. Theo dõi thời gian nấu. Nấu ở thời gian ngắn nhất được chỉ dẫn và nấu thêm nếu cần thiết. Thực phẩm bị nấu quá lâu có thể bốc khói và bốc cháy.
3. Đậy thực phẩm khi nấu để tránh thực phẩm bắn ra bên ngoài và giúp thực phẩm chín đều hơn.
4. Đối với các loại thực phẩm như gà hoặc hầm-bơ-gơ, lật thực phẩm một lần trong quá trình nấu để đẩy nhanh tốc độ nấu. Những loại thực phẩm lớn như thịt nướng cần lật ít nhất một lần.
5. Đảo thực phẩm như thịt viên trong quá trình nấu từ đáy lên trên và từ giữa ra bên ngoài đĩa đựng.

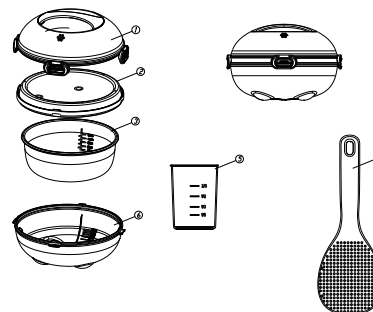
Các vật dụng sử dụng trong lò vi sóng

1. Vật dụng lý tưởng sử dụng trong lò vi sóng không nên là vật liệu cản trở vi sóng để cho năng lượng đi qua vật dụng và làm nóng thực phẩm.
 2. Năng lượng sóng điện từ không thể xuyên qua kim loại. Vì vậy không nên sử dụng các vật dụng làm từ kim loại hoặc các vật dụng có trang trí kim loại.
 3. Không sử dụng các sản phẩm làm từ giấy tái chế trong lò vi sóng vì chúng có thể chứa các mảnh kim loại nhỏ gây ra tia lửa hoặc cháy.
 4. Chúng tôi khuyến cáo quý khách sử dụng các loại đĩa hình tròn hoặc hình bầu dục thay vì các loại đĩa hình vuông hoặc chữ nhật, vì thực phẩm ở các góc thường bị chín quá.
 5. Có thể dùng các miếng bọc nhôm nhỏ và phẳng để bọc thực phẩm để tránh bị quá lửa ở mặt tiếp xúc. Lưu ý không sử dụng quá nhiều và cần giữ khoảng cách khoảng 1 inch (2,54cm) giữa là nhôm và khoang lò.
- Danh sách dưới đây là chỉ dẫn thông dụng giúp quý khách lựa chọn đúng các vật dụng sử dụng trong lò vi sóng:

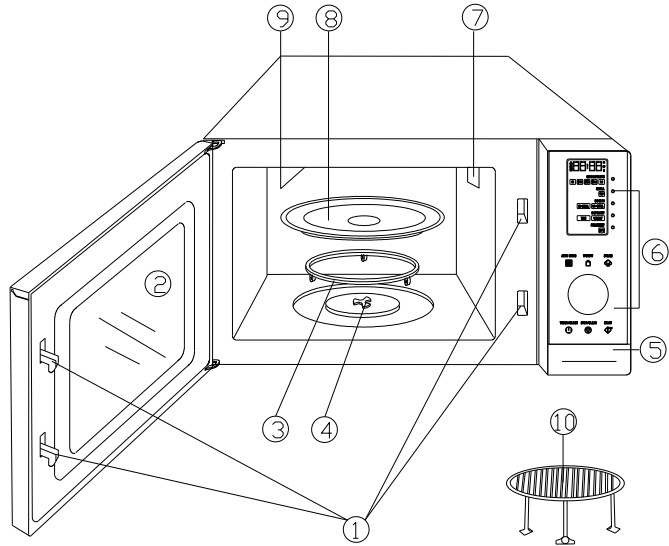
Vật dụng	Nấu vi sóng	Nướng	Nấu đối lưu	Nấu kết hợp*
Kính chịu nhiệt	Được	Được	Được	Được
Kính không chịu nhiệt	Không	Không	Không	Không
Gốm chịu nhiệt	Được	Được	Được	Được
Đĩa nhựa an toàn với lò vi sóng	Được	Không	Không	Không
Giấy nhà bếp	Được	Không	Không	Không
Khay kim loại (tùy chọn)	Không	Được	Được	Không
Giá kim loại (tùy chọn)	Không	Được	Được	Không
Lá nhôm và vật dụng bằng nhôm	Không	Được	Được	Không
Nồi hấp (tùy chọn)	Được	Không	Không	Không

Nấu kết hợp: áp dụng cho cả "nấu vi sóng + nướng" và "nấu vi sóng + nấu đối lưu".

Phụ kiện (Tùy chọn)

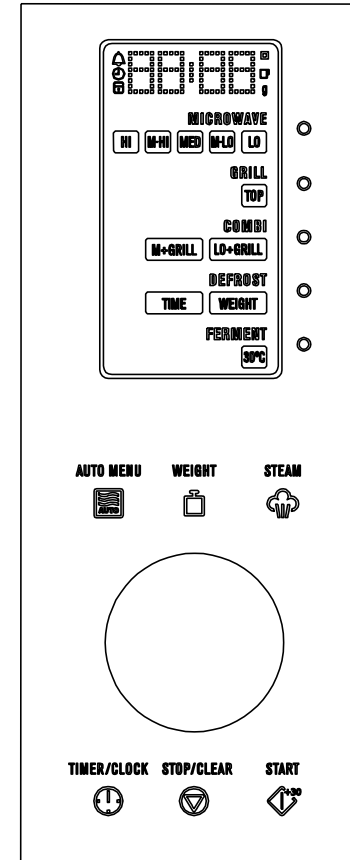


1. Nắp đậy bên ngoài
2. Nắp bên trong
3. Nồi bên trong
4. Thìa xới cơm
5. Cốc đong
6. Nồi bên ngoài



- ① Hệ thống khóa an toàn
- ② Cửa lò
- ③ Vòng quay đĩa
- ④ Trục quay đĩa
- ⑤ Chốt khóa
- ⑥ Bảng điều khiển
- ⑦ Ống dẫn sóng (Vui lòng không tháo bỏ tấm chắn ống dẫn sóng làm từ mica)
- ⑧ Đĩa thủy tinh
- ⑨ Giàn nướng
- ⑩ Giá kim loại

Bảng điều khiển



- **MÀN HÌNH HIỂN THỊ (DISPLAY)**
Thời gian nấu, mức năng lượng, đèn báo và đồng hồ được hiển thị ở màn hình này.
- **NẤU VI SÓNG (MICROWAVE)**
Được sử dụng để lựa chọn mức năng lượng nấu vi sóng.
- **NẤU KẾT HỢP (COMBI)**
Được sử dụng để lựa chọn nhiệt độ nấu kết hợp vi sóng và nướng.
- **NƯỚNG (GRILL)**
Được sử dụng để thiết lập chức năng nướng.
- **RÃ ĐÔNG (DEFROST)**
Được sử dụng để thiết lập thời gian hoặc khối lượng thực phẩm cần rã đông.
- **Ủ MEN (FERMENT)**
Được sử dụng để thiết lập chương trình ủ men.
- **THỰC ĐƠN TỰ ĐỘNG (AUTO MENU)**
Được sử dụng để thiết lập chế độ nấu theo thực đơn tự động.
- **KHỐI LƯỢNG (WEIGHT)**
Được sử dụng để thiết lập khối lượng thực phẩm.
- **HẤP (STEAM)**
Được sử dụng để thiết lập chế độ hấp thực phẩm.
- **DỪNG/XÓA (STOP/CLEAR)**
Được sử dụng để tạm dừng chương trình nấu, hủy toàn bộ các thiết lập hoặc kích hoạt khóa trẻ em.
- **HẸN GIỜ/ĐỒNG HỒ (TIMER/CLOCK)**
Được sử dụng để thiết lập đồng hồ cho lò vi sóng và hẹn giờ.
- **NÚM XOAY (DIAL)**
Được sử dụng để thiết lập thời gian hoặc lựa chọn khối lượng thực phẩm.
- **KHOẢNG ĐỘNG (START)**
Được sử dụng để khởi động lò vi sóng hoặc thiết lập chương trình khởi động nhanh.

Hướng dẫn vận hành

- Trong quá trình nấu, nếu quý khách ấn nút STOP/CLEAR một lần hoặc mở cửa lò, chương trình sẽ tạm dừng; khi đó, vui lòng ấn nút START để tiếp tục. Nếu quý khách ấn nút STOP/CLEAR hai lần, chương trình nấu sẽ bị hủy.
- Sau khi kết thúc quá trình nấu, lò vi sóng sẽ phát ra âm thanh để thông báo tới quý khách mỗi 2 phút cho tới khi quý khách ấn nút STOP/CLEAR hoặc mở cửa lò.

Thiết lập đồng hồ

Đồng hồ của lò vi sóng được cài đặt ở chế độ 24 giờ. Trong quá trình nấu, quý khách có thể xem thời gian hiện tại bằng cách ấn nút TIMER/CLOCK hai lần.

- Ấn nút TIMER/CLOCK hai lần.
- Xoay núm xoay để thiết lập số chỉ giờ.
- Ấn nút TIMER/CLOCK để xác nhận.
- Xoay núm xoay để thiết lập số chỉ phút.
- Ấn nút TIMER/CLOCK một lần nữa để xác nhận.

Thiết lập đồng hồ hẹn giờ

Quý khách có thể thiết lập đồng hồ hẹn giờ cho lò vi sóng để nhắc về thời gian nấu. Thời gian hẹn giờ tối đa là 95 phút.

Giả sử quý khách muốn thiết lập đồng hồ hẹn giờ trong 30 phút:

- Ấn nút TIMER/CLOCK một lần.
- Xoay núm xoay để lựa chọn mức 30:00.
- Ấn nút START để xác nhận.

Lưu ý: 1. Nếu quý khách bỏ qua bước 2, đồng hồ hẹn giờ sẽ đếm từ 0:00 tới 95:00.
2. Khi đồng hồ hẹn giờ đang đếm, quý khách có thể ấn nút TIMER/CLOCK để xem thời gian hẹn giờ.
3. Khi đồng hồ hẹn giờ đang ở chế độ chờ, màn hình hiển thị thời gian hẹn giờ, quý khách có thể thiết lập chương trình nấu. Nếu quý khách ấn nút STOP/CLEAR một lần, đồng hồ hẹn giờ sẽ ngừng; khi đó, vui lòng ấn nút START để tiếp tục. Nếu quý khách ấn nút STOP/CLEAR hai lần, đồng hồ hẹn giờ sẽ bị hủy. Trong quá trình nấu, quý khách có thể hủy đồng hồ hẹn giờ.

Chức năng nấu vi sóng

- Ấn nút MICROWAVE liên tục để lựa chọn mức năng lượng vi sóng.

Mức năng lượng	100%	80%	60%	40%	20%
Hiển thị	HI	M-HI	MED	M-LO	L0

- Xoay núm xoay để lựa chọn thời gian nấu. Thời gian nấu tối đa là 95 phút.
- Ấn nút START.

Lưu ý: Mức năng lượng vi sóng sẽ được giữ nguyên trong lần quý khách ấn nút MICROWAVE tiếp theo cho tới khi quý khách khởi động lại hoặc ngắt điện.

Chức năng nướng

Chức năng nướng đặc biệt hữu ích đối với những lát thịt mỏng, bít tết, sườn, thịt nướng, xúc xích và gà miếng. Thời gian nướng tối đa là 95 phút.

- Ấn nút GRILL một lần.
- Xoay núm xoay để lựa chọn thời gian nấu.
- Ấn nút START.

Chức năng nướng + nấu vi sóng

Thời gian nấu tối đa là 95 phút.

Giả sử quý khách muốn thiết lập chức năng nấu kết hợp trong vòng 25 phút:

- Mở cửa lò và đặt thực phẩm vào trong lò, đóng cửa lò lại.
- Ấn nút COMBI một hoặc hai lần.

Số lần ấn nút COMBI	Nấu kết hợp	Thời gian nấu	
		Nấu vi sóng	Nướng
Một	M+GRILL	30%	70%
Hai	L0+GRILL	55%	45%

- Xoay núm xoay để lựa chọn 25:00.
- Ấn nút START để bắt đầu nấu.

Lưu ý: Mức năng lượng sẽ được giữ nguyên cho đến khi quý khách cài đặt lại (reset) hoặc ngắt nguồn điện.

Chức năng khởi động nhanh

Ở chế độ chờ, ấn nút START liên tiếp để lựa chọn thời gian nấu. Thời gian nấu tối đa là 95 phút, và lò vi sóng sẽ tự động khởi động với mức năng lượng 100%.

Chức năng nấu đa giai đoạn

Giai đoạn 1	Rã đông/Nấu vi sóng/Nướng/Hấp/Nấu vi sóng + Nướng
Giai đoạn 2	Nấu vi sóng/Nướng/Hấp/Nấu vi sóng + Nướng

- Thiết lập chương trình nấu ở giai đoạn 1. KHÔNG ẤN NÚT START.
- Thiết lập chương trình nấu ở giai đoạn 2.
- Ấn nút START.

Chức năng rã đông theo thời gian

Thời gian rã đông tối đa là 95 phút.

1. Ấn nút DEFROST liên tiếp để lựa chọn chế độ rã đông theo thời gian
2. Lựa chọn thời gian rã đông mong muốn bằng cách xoay núm xoay.
3. Ấn nút START.

Lưu ý: Sau 2/3 thời gian rã đông, hệ thống sẽ tạm ngưng và phát ra âm thanh để nhắc nhở người dùng lật thực phẩm. Sau khi lật thực phẩm, vui lòng đóng cửa lò và nhấn nút START để tiếp tục.

Chức năng rã đông theo khối lượng

Thời gian rã đông và mức năng lượng ở chế độ này được điều chỉnh tự động khi quý khách nhập khối lượng thực phẩm. Khối lượng thực phẩm đông lạnh cần rã đông nằm trong khoảng 100g và 1000g.

1. Ấn nút DEFROST liên tiếp để lựa chọn chế độ rã đông theo khối lượng.
2. Xoay núm xoay để lựa chọn khối lượng thực phẩm.
3. Ấn nút START để bắt đầu rã đông.

Lưu ý: Trong quá trình rã đông, lò vi sóng sẽ tạm ngưng và phát ra âm thanh để nhắc quý khách lật thực phẩm. Sau khi đã lật thực phẩm, vui lòng ấn nút START để tiếp tục.

Lưu ý: Chế độ lựa chọn rã đông sẽ được giữ nguyên cho đến khi quý khách cài đặt lại (reset) hoặc ngắt nguồn điện.

Chức năng ủ men

Lò vi sóng có chức năng ủ men giúp quý khách ủ men thực phẩm một cách dễ dàng. Nhiệt độ được thiết lập mặc định ở chế độ này là 30°C.

1. Đặt hộp đựng thực phẩm vào lò vi sóng, chú ý hộp đựng cần lớn hơn lượng thực phẩm đựng trong hộp, và cần đậy nắp hộp.
2. Ấn nút FERMENT một lần.
3. Xoay núm xoay để lựa chọn thời gian mong muốn. (Chúng tôi khuyến cáo quý khách lựa chọn khoảng thời gian từ 60 phút tới 95 phút.)
4. Ấn nút START.

Thực đơn hấp (chỉ có thể được sử dụng với nồi hấp đi kèm)

1. Ấn nút STEAM một lần.
2. Xoay núm xoay để lựa chọn mã thực đơn hấp.
3. Ấn nút WEIGHT.
4. Xoay núm xoay để lựa chọn khối lượng thực phẩm.
5. Ấn nút START.

Thực đơn hấp:

Mã	Thực đơn	Mã	Thực đơn
S-1	Hấp cá (g)	S-4	Hấp dim sum / Hâm nóng (g)
S-2	Hấp rau củ (g)	S-5	Nấu cơm / Hâm nóng (g)
S-3	Luộc trứng (quả)		

S-1 Hấp cá (g)

Thành phần: 200g – 400g cá

Quy trình thực hiện:

1. Nồi bên ngoài: Thêm 200ml nước vào nồi bên ngoài.
2. Nồi bên trong: Ướp cá và xếp cá vào nồi.
3. Đặt nồi bên trong vào nồi bên ngoài và khóa nắp đậy lại.
4. Lựa chọn khối lượng như bảng dưới đây. Lò vi sóng sẽ tự động thiết lập thời gian và mức năng lượng như sau:

Khối lượng (g)	Thời gian	Mức năng lượng
200	6:00	M-HI
300	8:00	
400	10:00	

S-2 Hấp rau củ (g)

Thành phần: 200g – 400g rau củ

Quy trình thực hiện:

1. Nồi bên ngoài: Thêm 200ml nước vào nồi bên ngoài.
2. Nồi bên trong: Rửa sạch rau củ và xếp vào nồi.
3. Đặt nồi bên trong vào nồi bên ngoài và khóa nắp đậy lại.
4. Lựa chọn khối lượng như bảng dưới đây. Lò vi sóng sẽ tự động thiết lập thời gian và mức năng lượng như sau:

Khối lượng (g)	Thời gian	Mức năng lượng
200	6:00	HI
300	7:00	
400	8:00	

S-3 Luộc trứng (phần)

Thành phần: 2 quả trứng

Quy trình thực hiện:

1. Nồi bên ngoài: Thêm 200ml nước vào nồi bên ngoài.
2. Nồi bên trong: Đập trứng và cho vào nồi, thêm 200ml nước và một ít muối sau đó khuấy đều.
3. Đặt nồi bên trong vào nồi bên ngoài và khóa nắp đậy lại.
4. Lựa chọn khối lượng như bảng dưới đây. Lò vi sóng sẽ tự động thiết lập thời gian và mức năng lượng như sau:

Khối lượng (g)	Thời gian	Mức năng lượng
1	7:00	MED

S-4 Hấp dim sum (100g) – Hâm nóng lại

Thành phần: Dim sum

Quy trình thực hiện:

1. Nồi bên ngoài: Thêm 200ml nước vào nồi bên ngoài.
2. Nồi bên trong: Xếp dim sum vào nồi.
3. Đặt nồi bên trong vào nồi bên ngoài và khóa nắp đậy lại.
4. Lựa chọn khối lượng như bảng dưới đây. Lò vi sóng sẽ tự động thiết lập thời gian và mức năng lượng như sau:

Khối lượng (g)	Thời gian	Mức năng lượng
100	2 : 00	MED
200	3 : 30	
300	5 : 00	

S-5 Nấu cơm (g) – Hâm nóng lại

Thành phần: 200g – 400g gạo

Quy trình thực hiện:

1. Nồi bên ngoài: Thêm 200ml nước vào nồi bên ngoài.
2. Nồi bên trong: Vo gạo và cho gạo vào nồi cùng với nước, tỉ lệ gạo/nước là 1/1.6.
3. Đặt nồi bên trong vào nồi bên ngoài và khóa nắp đậy lại.
4. Lựa chọn khối lượng như bảng dưới đây. Lò vi sóng sẽ tự động thiết lập thời gian và mức năng lượng như sau:

Khối lượng (g)	Thời gian	Mức năng lượng
200	3:00	HI
300	4:00	
400	5:00	

Lưu ý: 1. Chức năng hấp chỉ có thể được sử dụng với nồi hấp đi kèm.

2. Chế độ nấu quý khách lựa chọn sẽ được duy trì cho đến khi quý khách cài đặt lại (reset) hoặc ngắt nguồn điện.

Thiết lập Khóa trẻ em

Chức năng Khóa trẻ em giúp ngăn ngừa trẻ nhỏ đùa nghịch với lò vi sóng khi không được trông nom.

- Để thiết lập chức năng Khóa trẻ em: Ở chế độ chờ, ấn và giữ nút STOP/CLEAR trong vòng 3 giây, thiết bị sẽ phát ra âm thanh. Khi chức năng khóa trẻ em được kích hoạt, quý khách không thể vận hành lò vi sóng.
- Để hủy chức năng khóa trẻ em: Ấn và giữ nút STOP/CLEAR trong vòng 3 giây, thiết bị sẽ phát ra âm thanh, quý khách có thể vận hành lò vi sóng trở lại.

Thực đơn tự động

Quý khách không cần thiết lập thời gian nấu và mức năng lượng của lò vi sóng đối với chức năng Thực đơn tự động.

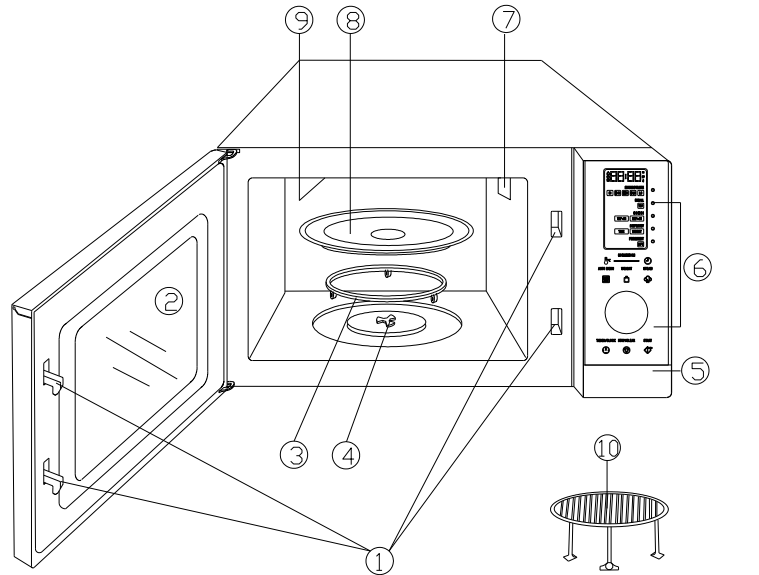
1. Ấn nút AUTO MENU một lần.
2. Xoay núm xoay để lựa chọn mã thực đơn.
3. Ấn nút WEIGHT.
4. Xoay núm xoay để lựa chọn khối lượng thực phẩm.
5. Ấn nút START.

Thực đơn nấu tự động:

Mã	Thực đơn	Lưu ý:
A-1	Gà nướng (g)	<ul style="list-style-type: none">• Đối với thực đơn từ A-1 đến A-4 và A-9, trong quá trình nướng, thiết bị sẽ ngừng và phát ra âm thanh để nhắc quý khách lật thực phẩm nhằm đạt được kết quả nướng đồng đều. Sau khi lật, vui lòng đóng cửa lò và ấn nút START để tiếp tục nướng.• Kết quả của chương trình thực đơn tự động phụ thuộc vào các yếu tố như sự dao động của điện áp, hình dạng và kích thước của thực phẩm, sở thích cá nhân của quý khách tới độ chín của thực phẩm và cả cách sắp xếp thực phẩm trong lò. Nếu quý khách chưa hài lòng về kết quả nấu, vui lòng điều chỉnh thời gian nấu cho phù hợp. <p>Chế độ nấu quý khách lựa chọn sẽ được duy trì cho đến khi quý khách cài đặt lại (reset) hoặc ngắt nguồn điện.</p> <p>Đối với quá trình nấu cơm ở chế độ A-7, vui lòng tham khảo hướng dẫn sử dụng nồi hấp</p>
A-2	Bò/cừu nướng (g)	
A-3	Lợn nướng (g)	
A-4	Cá nướng (g)	
A-5	Khoai tây nướng (230g/mẻ)	
A-6	Pasta (g)	
A-7	Cơm (g)	
A-8	Cháo (g)	
A-9	Bánh mì nướng (miếng)	
A-10	Bông ngô (100g)	
A-11	Dim sum (hâm nóng lại) (g)	
A-12	Đồ uống (200ml/mẻ)	

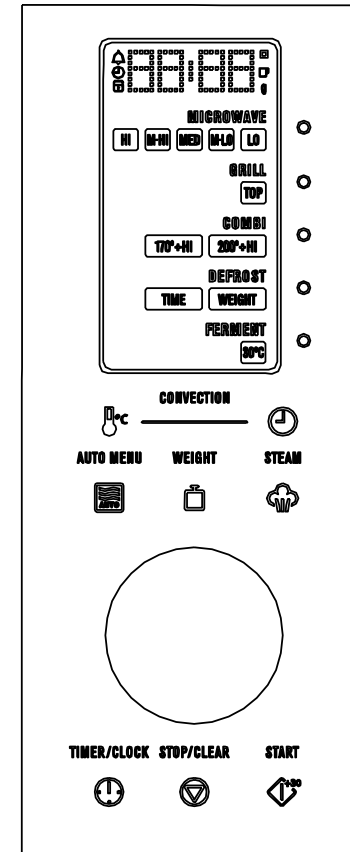
Sơ đồ sản phẩm

EMS3087X



- ① Hệ thống khóa an toàn
- ② Cửa lò
- ③ Vòng quay đĩa
- ④ Trục quay đĩa
- ⑤ Chốt khóa
- ⑥ Bảng điều khiển
- ⑦ Ống dẫn sóng (Vui lòng không tháo bỏ tấm chắn ống dẫn sóng làm từ mica)
- ⑧ Đĩa thủy tinh
- ⑨ Giàn nướng
- ⑩ Giá kim loại

Bảng điều khiển



- **MÀN HÌNH HIỂN THỊ (DISPLAY)**
Thời gian nấu, mức năng lượng, đèn báo và đồng hồ được hiển thị ở màn hình này.
- **NẤU VI SÓNG (MICROWAVE)**
Được sử dụng để lựa chọn mức năng lượng nấu vi sóng.
- **NẤU KẾT HỢP (COMBI)**
Được sử dụng để lựa chọn nhiệt độ nấu kết hợp vi sóng và nướng.
- **NƯỚNG (GRILL)**
Được sử dụng để thiết lập chức năng nướng.
- **RÃ ĐÔNG (DEFROST)**
Được sử dụng để thiết lập thời gian hoặc khối lượng thực phẩm cần rã đông.
- **Ủ MEN (FERMENT)**
Được sử dụng để thiết lập chương trình ủ men.
- **THỰC ĐƠN TỰ ĐỘNG (AUTO MENU)**
Được sử dụng để thiết lập chế độ nấu theo thực đơn tự động.
- **NẤU ĐỐI LƯU (CONVECTION)**  
Được sử dụng để lựa chọn nhiệt độ và thời gian nấu đối lưu.
- **KHỐI LƯỢNG (WEIGHT)**
Được sử dụng để thiết lập khối lượng thực phẩm.
- **HẤP (STEAM)**
Được sử dụng để thiết lập chế độ hấp thực phẩm.
- **DỪNG/XÓA (STOP/CLEAR)**
Được sử dụng để tạm dừng chương trình nấu, hủy toàn bộ các thiết lập hoặc kích hoạt khóa trẻ em.
- **HẸN GIỜ/ĐỒNG HỒ (TIMER/CLOCK)**
Được sử dụng để thiết lập đồng hồ cho lò vi sóng và hẹn giờ.
- **NÚM XOAY (DIAL)**
Được sử dụng để thiết lập thời gian hoặc lựa chọn khối lượng thực phẩm.
- **KHỞI ĐỘNG (START)**
Được sử dụng để khởi động lò vi sóng hoặc thiết lập chương trình khởi động nhanh.

Hướng dẫn vận hành

- Trong quá trình nấu, nếu quý khách ấn nút STOP/CLEAR một lần hoặc mở cửa lò, chương trình sẽ tạm dừng; khi đó, vui lòng ấn nút START để tiếp tục. Nếu quý khách ấn nút STOP/CLEAR hai lần, chương trình nấu sẽ bị hủy.
- Sau khi kết thúc quá trình nấu, lò vi sóng sẽ phát ra âm thanh để thông báo tới quý khách mỗi 2 phút cho tới khi quý khách ấn nút STOP/CLEAR hoặc mở cửa lò.

Thiết lập đồng hồ

Đồng hồ của lò vi sóng được cài đặt ở chế độ 24 giờ. Trong quá trình nấu, quý khách có thể xem thời gian hiện tại bằng cách ấn nút TIMER/CLOCK hai lần.

- Ấn nút TIMER/CLOCK hai lần.
- Xoay núm xoay để thiết lập số chỉ giờ.
- Ấn nút TIMER/CLOCK để xác nhận.
- Xoay núm xoay để thiết lập số chỉ phút.
- Ấn nút TIMER/CLOCK một lần nữa để xác nhận.

Thiết lập đồng hồ hẹn giờ

Quý khách có thể thiết lập đồng hồ hẹn giờ cho lò vi sóng để nhắc về thời gian nấu. Thời gian hẹn giờ tối đa là 95 phút.

Giả sử quý khách muốn thiết lập đồng hồ hẹn giờ trong 30 phút:

- Ấn nút TIMER/CLOCK một lần.
- Xoay núm xoay để lựa chọn mức 30:00.
- Ấn nút START để xác nhận.

Lưu ý:

- Nếu quý khách bỏ qua bước 2, đồng hồ hẹn giờ sẽ đếm từ 0:00 tới 95:00.
- Khi đồng hồ hẹn giờ đang đếm, quý khách có thể ấn nút TIMER/CLOCK để xem thời gian hẹn giờ.
- Khi đồng hồ hẹn giờ đang ở chế độ chờ, màn hình hiển thị thời gian hẹn giờ, quý khách có thể thiết lập chương trình nấu. Nếu quý khách ấn nút STOP/CLEAR một lần, đồng hồ hẹn giờ sẽ ngừng; khi đó, vui lòng ấn nút START để tiếp tục. Nếu quý khách ấn nút STOP/CLEAR hai lần, đồng hồ hẹn giờ sẽ bị hủy. Trong quá trình nấu, quý khách không thể hủy đồng hồ hẹn giờ.

Chức năng nấu vi sóng

- Ấn nút MICROWAVE liên tục để lựa chọn mức năng lượng vi sóng.

Mức năng lượng	100%	80%	60%	40%	20%
Hiển thị	HI	M-HI	MED	M-LO	L0

- Xoay núm xoay để lựa chọn thời gian nấu. Thời gian nấu tối đa là 95 phút.
- Ấn nút START.

Lưu ý: Mức năng lượng vi sóng sẽ được giữ nguyên cho tới khi quý khách khởi động lại hoặc ngắt điện.

Chức năng nướng


Chức năng nướng đặc biệt hữu ích đối với những lát thịt mỏng, bít tết, sườn, thịt nướng, xúc xích và gà miếng. Thời gian nướng tối đa là 95 phút.

- Ấn nút GRILL một lần.
- Xoay núm xoay để lựa chọn thời gian nấu.
- Ấn nút START.



Chức năng khởi động nhanh

Ở chế độ chờ, ấn nút START liên tiếp để lựa chọn thời gian nấu. Thời gian nấu tối đa là 95 phút, và lò vi sóng sẽ tự động khởi động với mức năng lượng 100%.

Chức năng nấu đối lưu


Trong quá trình nấu đối lưu, không khí nóng được lưu thông trong khoang lò để làm giòn thực phẩm nhanh hơn và đều hơn. Loại lò vi sóng này có 10 mức nhiệt độ khác nhau từ 110°C tới 200°C. Thời gian nấu tối đa là 95 phút. Trong quá trình nấu, quý khách có thể xem nhiệt độ đã được thiết lập bằng cách ấn nút 

Để nấu với chức năng nấu đối lưu:

- Ấn nút  một lần và xoay núm xoay để lựa chọn nhiệt độ mong muốn.
- Ấn nút  một lần.
- Xoay núm xoay để lựa chọn thời gian nấu.
- Ấn nút START.

Để hâm nóng trước và nấu với chức năng nấu đối lưu:

Quý khách có thể cài đặt chương trình để kết hợp hâm nóng trước và nấu đối lưu.

- Ấn nút  một lần.
- Xoay núm xoay để lựa chọn nhiệt độ mong muốn.
- Ấn nút START. Khi lò vi sóng đạt đến mức nhiệt độ đã được thiết lập, lò sẽ phát ra âm thanh.
- Mở cửa lò và đặt khay đựng thực phẩm vào giữa đĩa xoay.
- Xoay núm xoay để lựa chọn thời gian nấu.
- Ấn nút START.

Lưu ý: Thời gian tự động hâm nóng lại là 30 phút. Quý khách không thể thiết lập thời gian hâm nóng trước. Khi nhiệt độ đạt mức nhiệt độ hâm nóng trước, thiết bị sẽ giữ mức nhiệt này trong vòng 30 phút. Nếu quý khách không mở cửa lò trong vòng 30 phút, hệ thống sẽ tự động ngừng.

Chức năng nấu vi sóng + nấu đối lưu

Lò vi sóng này có 2 mức nhiệt độ nấu kết hợp khác nhau: 170°C + HI và 200°C + HI.

1. Ấn nút COMBI liên tiếp để lựa chọn mức nhiệt độ nấu kết hợp mong muốn.
2. Xoay núm xoay để lựa chọn thời gian nấu. Thời gian nấu tối đa là 95 phút.
3. Ấn nút START.

Lưu ý: Mức năng lượng vi sóng sẽ được giữ nguyên cho đến khi quý khách cài đặt lại (reset) hoặc ngắt nguồn điện.

Chức năng nấu đa giai đoạn

Giai đoạn 1	Rã đông/Nấu vi sóng/Nướng/Hấp/Nấu đối lưu
Giai đoạn 2	Nấu vi sóng/Nướng/Hấp/Nấu đối lưu (không hâm nóng trước)/Nấu vi sóng + Nấu đối lưu

1. Thiết lập chương trình nấu ở giai đoạn 1. KHÔNG Ấn nút START.
2. Thiết lập chương trình nấu ở giai đoạn 2.
3. Ấn nút START.

Chức năng rã đông theo thời gian

Thời gian rã đông tối đa là 95 phút.

1. Ấn nút DEFROST liên tiếp để lựa chọn chế độ rã đông theo thời gian
2. Lựa chọn thời gian rã đông mong muốn bằng cách xoay núm xoay.
3. Ấn nút START.

Lưu ý: Sau 2/3 thời gian rã đông, hệ thống sẽ tạm ngưng và phát ra âm thanh để nhắc nhở người dùng lật thực phẩm. Sau khi lật thực phẩm, vui lòng đóng cửa lò và nhấn nút START để tiếp tục.

Chức năng rã đông theo khối lượng

Thời gian rã đông và mức năng lượng ở chế độ này được điều chỉnh tự động khi quý khách nhập khối lượng thực phẩm. Khối lượng thực phẩm đông lạnh cần rã đông nằm trong khoảng 100g và 1000g.

1. Ấn nút DEFROST liên tiếp để lựa chọn chế độ rã đông theo khối lượng.
2. Xoay núm xoay để lựa chọn khối lượng thực phẩm.
3. Ấn nút START để bắt đầu rã đông.

Lưu ý: Trong quá trình rã đông, lò vi sóng sẽ tạm ngưng và phát ra âm thanh để nhắc quý khách lật thực phẩm. Sau khi đã lật thực phẩm, vui lòng ấn nút START để tiếp tục.

Lưu ý: Chế độ lựa chọn rã đông sẽ được giữ nguyên cho đến khi quý khách cài đặt lại (reset) hoặc ngắt nguồn điện.

Chức năng ủ men

Lò vi sóng có chức năng ủ men giúp quý khách ủ men thực phẩm một cách dễ dàng. Nhiệt độ được thiết lập mặc định ở chế độ này là 30°C.

1. Đặt hộp đựng thực phẩm vào lò vi sóng, chú ý hộp đựng cần lớn hơn lượng thực phẩm đựng trong hộp, và cần đậy nắp hộp.
2. Ấn nút FERMENT một lần.
3. Xoay núm xoay để lựa chọn thời gian mong muốn. (Chúng tôi khuyến cáo quý khách lựa chọn khoảng thời gian từ 60 phút tới 95 phút.)
4. Ấn nút START.

Thực đơn hấp (Có thể sử dụng kèm với nồi hấp đi kèm)

1. Ấn nút STEAM một lần.
2. Xoay núm xoay để lựa chọn mã thực đơn hấp.
3. Ấn nút WEIGHT.
4. Xoay núm xoay để lựa chọn khối lượng thực phẩm.
5. Ấn nút START.

Thực đơn hấp:

Mã	Thực đơn	Mã	Thực đơn
S-1	Hấp cá (g)	S-4	Hấp dim sum - hâm nóng (g)
S-2	Hấp rau (g)	S-5	Nấu cơm - hâm nóng (g)
S-3	Luộc trứng (quả)		

S-1 Hấp cá (g)

Thành phần: 200g – 400g cá

Quy trình thực hiện:

1. Nồi bên ngoài: Thêm 200ml nước vào nồi bên ngoài.
2. Nồi bên trong: Ướp cá và xếp cá vào nồi.
3. Đặt nồi bên trong vào nồi bên ngoài và khóa nắp đậy lại.
4. Lựa chọn khối lượng như bảng dưới đây. Lò vi sóng sẽ tự động thiết lập thời gian và mức năng lượng như sau:

Khối lượng (g)	Thời gian	Mức năng lượng
200	6:00	M-HI
300	8:00	
400	10:00	

S-2 Hấp rau củ (g)

Thành phần: 200g – 400g rau củ

Quy trình thực hiện:

1. Nồi bên ngoài: Thêm 200ml nước vào nồi bên ngoài.
2. Nồi bên trong: Rửa sạch rau củ và xếp vào nồi.
3. Đặt nồi bên trong vào nồi bên ngoài và khóa nắp đậy lại.
4. Lựa chọn khối lượng như bảng dưới đây. Lò vi sóng sẽ tự động thiết lập thời gian và mức năng lượng như sau:

Khối lượng (g)	Thời gian	Mức năng lượng
200	6:00	HI
300	7:00	
400	8:00	

S-3 Luộc trứng (phần)

Thành phần: 2 quả trứng

Quy trình thực hiện:

1. Nồi bên ngoài: Thêm 200ml nước vào nồi bên ngoài.
2. Nồi bên trong: Đập trứng và cho vào nồi, thêm 200ml nước và một ít muối sau đó khuấy đều
3. Đặt nồi bên trong vào nồi bên ngoài và khóa nắp đậy lại.
4. Lựa chọn khối lượng như bảng dưới đây. Lò vi sóng sẽ tự động thiết lập thời gian và mức năng lượng như sau:

Khối lượng (phần)	Thời gian	Mức năng lượng
1	7:00	MED

S-4 Hấp dim sum (100g) – Hâm nóng lại

Thành phần: Dim sum

Quy trình thực hiện:

1. Nồi bên ngoài: Thêm 200ml nước vào nồi bên ngoài.
2. Nồi bên trong: Xếp dim sum vào nồi.
3. Đặt nồi bên trong vào nồi bên ngoài và khóa nắp đậy lại.
4. Lựa chọn khối lượng như bảng dưới đây. Lò vi sóng sẽ tự động thiết lập thời gian và mức năng lượng như sau:

Khối lượng (g)	Thời gian	Mức năng lượng
100	2 : 00	MED
200	3 : 30	
300	5 : 00	

S-5 Nấu cơm (g) – Hâm nóng lại

Thành phần: 200g – 400g gạo

Quy trình thực hiện:

1. Nồi bên ngoài: Thêm 200ml nước vào nồi bên ngoài.
2. Nồi bên trong: Vo gạo và cho gạo vào nồi cùng với nước, tỉ lệ gạo/nước là 1/1.6.
3. Đặt nồi bên trong vào nồi bên ngoài và khóa nắp đậy lại.
4. Lựa chọn khối lượng như bảng dưới đây. Lò vi sóng sẽ tự động thiết lập thời gian và mức năng lượng như sau:

Khối lượng (g)	Thời gian	Mức năng lượng
200	3:00	HI
300	4:00	
400	5:00	

Lưu ý: Chức năng hấp chỉ có thể được sử dụng với nồi hấp đi kèm.

Chương trình quý khách lựa chọn sẽ được giữ nguyên cho đến khi quý khách cài đặt lại (reset) hoặc ngắt nguồn điện.

Thiết lập Khóa trẻ em

Chức năng Khóa trẻ em giúp ngăn ngừa trẻ nhỏ đùa nghịch với lò vi sóng khi không được trông nom.

Để thiết lập chức năng Khóa trẻ em: Ở chế độ chờ, ấn và giữ nút STOP/CLEAR trong vòng 3 giây, thiết bị sẽ phát ra âm thanh. Khi chức năng khóa trẻ em được kích hoạt, quý khách không thể vận hành lò vi sóng.

Để hủy chức năng khóa trẻ em: Ấn và giữ nút STOP/CLEAR trong vòng 3 giây, thiết bị sẽ phát ra âm thanh, quý khách có thể vận hành lò vi sóng trở lại.

Cơ chế tự động bảo vệ

Cơ chế bảo vệ khi nhiệt độ tăng cao: Khi mức nhiệt của lò vi sóng tăng lên cao quá mức cho phép, hệ thống sẽ phát ra âm thanh và màn hình hiển thị "E01" cho tới khi quý khách ấn nút CANCEL để trở về trạng thái bình thường. Vui lòng mở cửa lò để làm nguội khoang lò hoặc

Cơ chế bảo vệ khi nhiệt giảm thấp: Khi mức nhiệt của lò vi sóng giảm xuống thấp quá mức cho phép, hệ thống sẽ phát ra âm thanh và màn hình hiển thị "E02" cho tới khi quý khách ấn nút STOP để trở về trạng thái bình thường. Vui lòng liên hệ Trung tâm Dịch vụ Khách hàng để được kiểm tra.

Cơ chế bảo vệ khi cảm biến gặp sự cố: Khi cảm biến bị đoản mạch, hệ thống sẽ chuyển trạng thái bảo vệ và phát ra âm thanh, màn hình hiển thị "E03" cho tới khi quý khách ấn nút STOP để trở về trạng thái bình thường. Vui lòng liên hệ Trung tâm Dịch vụ Khách hàng để được kiểm tra và thay thế cảm biến mới.

Thực đơn tự động

Quý khách không cần thiết lập thời gian nấu và mức năng lượng của lò vi sóng đối với chức năng Thực đơn tự động.

1. Ấn nút AUTO MENU một lần.
2. Xoay núm xoay để lựa chọn mã thực đơn.
3. Ấn nút WEIGHT.
4. Xoay núm xoay để lựa chọn khối lượng thực phẩm.
5. Ấn nút START.

Thực đơn nấu tự động:

Mã	Thực đơn	Lưu ý:
A-1	Gà nướng (g)	Đối với thực đơn từ A-1 đến A-4 và A-11, trong quá trình nướng, thiết bị sẽ ngừng và phát ra âm thanh để nhắc quý khách lật thực phẩm nhằm đạt được kết quả nướng đồng đều. Sau khi lật, vui lòng đóng cửa lò và ấn nút START để tiếp tục nướng. Kết quả của chương trình thực đơn tự động phụ thuộc vào các yếu tố như sự dao động của điện áp, hình dạng và kích thước của thực phẩm, sở thích cá nhân của quý khách tới độ chín của thực phẩm và cả cách sắp xếp thực phẩm trong lò. Nếu quý khách chưa hài lòng về kết quả nấu, vui lòng điều chỉnh thời gian nấu cho phù hợp. Chương trình lựa chọn sẽ được giữ nguyên cho đến khi quý khách cài đặt lại (reset) hoặc ngắt nguồn điện. Đối với quá trình nấu cơm ở chế độ A-8, vui lòng tham khảo hướng dẫn sử dụng nồi hấp.
A-2	Bò/cừu nướng* (g)	
A-3	Lợn nướng (g)	
A-4	Cá nướng (g)	
A-5	Khoai tây nướng (230g/mê)	
A-6	Pizza đông lạnh (g)	
A-7	Pasta (g)	
A-8	Cơm (g)	
A-9	Cháo (g)	
A-10	Bánh 475 (g)	
A-11	Bánh mì nướng (miếng)	
A-12	Bông ngô 100 (g)	
A-13	Dim sum (hâm nóng lại) (g)	
A-14	Đồ uống* (200ml/mê)	

Thông số kỹ thuật

Mẫu máy	EMS3085X	EMS3087X
Điện năng tiêu thụ	Vui lòng tham khảo Bảng ghi thông số kỹ thuật	Vui lòng tham khảo Bảng ghi thông số kỹ thuật
Công suất đầu ra	900W	900W
Tần số hoạt động	2450MHz	2450MHz
Kích thước bên ngoài	538mm(R) x 436mm(S) x 294mm(C)	538mm(R) x 436mm(S) x 294mm(C)
Kích thước khoang lò	354mm(R) x 358mm(S) x 240mm(C)	354mm(R) x 358mm(S) x 240mm(C)
Dung tích lò	30 lít	30 lít
Hệ thống nấu	Hệ thống bàn xoay	Hệ thống bàn xoay
Trọng lượng tịnh	Khoảng 17.0 kg	Khoảng 18.3 kg

Danh sách đóng gói

1. Lò vi sóng*1
2. Sách hướng dẫn sử dụng*1
3. Giá nướng kim loại *1
4. Đĩa quay thủy tinh*1
5. Vòng quay đĩa*1
6. Bộ nồi hấp*1 (Tùy chọn)

RoHS
Compliant.

Thông tin môi trường

Nếu quý khách muốn vứt bỏ sản phẩm này trong tương lai, vui lòng KHÔNG vứt bỏ cùng rác thải sinh hoạt. Hãy thải loại thiết bị ở nơi tập kết phế thải của địa phương nếu có thể.

Sản phẩm này tuân thủ quy định về Hạn chế vật chất nguy hiểm RoHS.

Vệ sinh và bảo trì

1. Tắt lò vi sóng và rút phích cắm ra khỏi ổ điện trước khi vệ sinh lò.
2. Luôn giữ phần bên trong lò sạch sẽ. Khi thức ăn bắn và chất lỏng bị trào dính vào thành lò, lau sạch bằng một miếng vải ẩm. Có thể sử dụng chất tẩy rửa trung tính nếu lò vi sóng quá bẩn. Tránh sử dụng bình xịt và các chất tẩy rửa mạnh khác vì chúng có thể làm mờ hoặc phai màu bề mặt cửa.
3. Bề mặt ngoài của lò vi sóng cần được lau sạch bằng một miếng vải ẩm. Để tránh gây hư hại cho các bộ phận hoạt động bên trong lò, không để nước rỉ qua các lỗ thông khí.
4. Sử dụng một miếng vải ẩm lau sạch các vết bẩn hoặc trào dính ở cả 2 mặt cửa và cửa sổ lò vi sóng, gioăng cửa và các vùng xung quanh thường xuyên. Không sử dụng chất tẩy rửa có tính bào mòn.
5. Không để bảng điều khiển bị ướt. Lau sạch bằng một miếng vải ẩm và mềm. Khi vệ sinh bảng điều khiển, mở cửa lò để tránh lò vi sóng vô tình hoạt động.
6. Nếu hơi nước tích tụ ở bên trong hoặc xung quanh vùng bên ngoài cửa lò, lau sạch chúng bằng một mảnh vải mềm. Điều này có thể xảy ra khi lò vi sóng hoạt động trong điều kiện thời tiết ẩm. Điều này là hoàn toàn bình thường.
7. Thỉnh thoảng cần tháo rời khay kính để vệ sinh. Rửa sạch khay với nước xà phòng ấm hoặc dùng máy rửa chén đĩa.
8. Vòng quay đĩa và đáy lò vi sóng cần được vệ sinh thường xuyên để tránh tiếng ồn quá mức. Lau sạch đáy lò vi sóng bằng chất tẩy rửa trung tính. Vòng quay đĩa có thể được rửa trong nước xà phòng ấm hoặc máy rửa chén đĩa. Khi tháo vòng quay đĩa ra khỏi khoang lò để vệ sinh, cần đảm bảo lắp đặt lại đúng vị trí.
9. Loại bỏ mùi trong lò vi sóng bằng cách trộn một cốc nước với nước cốt chanh và vỏ chanh trong một bát sâu lòng sử dụng được trong lò vi sóng. Quay cốc nước trong lò vi sóng trong vòng 5 phút. Lau sạch và lau khô với một miếng vải mềm.
10. Nếu đèn trong lò vi sóng bị hỏng, vui lòng liên hệ Trung tâm Dịch vụ Khách hàng để được thay mới.
11. Lò vi sóng cần được vệ sinh thường xuyên và các vụn thức ăn cần được lau sạch. Việc không giữ vệ sinh lò có thể dẫn tới hư hỏng cho bề mặt lò, ảnh hưởng đến tuổi thọ của lò và có thể gây ra nguy hiểm.
12. Xin vui lòng không thải loại thiết bị này trong thùng rác thải gia dụng. Thiết bị phải được thải loại ở trung tâm thải loại đặc biệt cung cấp bởi chính quyền địa phương.
13. Trong lần sử dụng chức năng nướng đầu tiên, khói nhẹ và mùi có thể bốc ra từ lò vi sóng. Đây là hiện tượng bình thường, do lò vi sóng được làm từ các tấm thép được bôi trơn bằng dầu, trong lần sử dụng đầu tiên, lò vi sóng sẽ sản sinh mùi khi đốt cháy dầu bôi trơn. Hiện tượng này sẽ biến mất sau một thời gian sử dụng.

Trung tâm Dịch vụ Khách hàng

<p>Thailand Call Center Tel: (+66 2) 725 9000 Electrolux Thailand Co., Ltd. Electrolux Building 14th Floor 1910 New Petchburi Road, Bangkapi, Huay Kwang, Bangkok 10310 Office Tel: (+66 2) 7259100 Office Fax: (66 2) 7259299 Email: customercaresin@electrolux.com</p>	<p>Singapore CONSUMER CARE HOTLINE : (+65) 6727 3699 Electrolux S.E.A. Pte Ltd. 1 Fusionopolis Place, #07-10 Galaxis, West Lobby Singapore 138522. Office Fax : (+65) 67273611 Email : customer-care.sin@electrolux.com</p>
<p>Indonesia Tel: (+62 21) 522 7180 PT. Electrolux Indonesia Gedung Plaza Kuningan Menara Utara 2nd Floor, Suite 201, Jl. HR Rasuna Said Kav C 11-14, Karet Setiabudi Jakarta Selatan 12948 Office Tel: (+62 21) 522 7099 Office Tax: (+62 21) 522 7097 Email: customercare@electrolux.co.id</p>	<p>Philippines Domestic Toll Free: 1-800-10-845-care 2273 Customer Care Hotline: (+63 2) 845 care 2273 Electrolux Philippines, Inc. 10th Floor, W5th Avenue Building 5th Avenue Corner 32nd Street Bonifacio Global City, Taguig Philippines 1634 Trunkline: +63 2 737-4756 Website: www.electrolux.com.ph Email: wecare@electrolux.com</p>
<p>Việt Nam Trung tâm Dịch vụ Khách hàng (miễn phí): 1800-58-88-99 Điện thoại: (+84 8) 3910 5465 Công ty TNHH Electrolux Vietnam Tòa nhà A&B, tầng 9 Số 76 đường Lê Lai – phường Bến Thành - quận 1 - Thành phố Hồ Chí Minh, Việt Nam Điện thoại: (+84 4) 391 5465 Fax: (+84 8) 3910 5470 Email: vncare@electrolux.com</p>	<p>Malaysia Domestic Toll Free: 1300-88-11-22 Electrolux Home Appliances Sdn. Bhd. Corporate Office Address: 7th Floor, Tower 2, Jaya 33, No. 3 Jalan Semangat, Seksyen 13, 46100 Petaling Jaya, Selangor. Corporate Office Tel: (+60 3) 7843 5999 Corporate Office Fax: (+60 3) 7955 5511 Consumer Care Center Address: Lot C6, No. 28, Jalan 15/22, Taman Perindustrian Tiong Nam, 40200 Shah Alam, Selangor Consumer Care Center Tel: (+60 3) 5525 0800 Consumer Care Center Fax: (+60 3) 5524 2521 Email: malaysia.customercare@electrolux.com</p>
<p>Hongkong Tel: (+852) 8203 0298 Dah Chong Hong, Ltd. – Service Centre 8/F., Yee Lim Godown Block C 2-28 Kwai Lok Street, Kwai Chung, N.T. Hong Kong</p>	

www.electrolux.com

The Thoughtful Design Innovator.

Bạn có nhớ lần gần đây nhất mình nhận được một món quà khiến bạn phải thốt lên “Ồi chào! Làm thế nào cậu biết được thế? Đây đúng là thứ mình cần!” Đó chính là thứ cảm xúc mà những nhà thiết kế của Electrolux muốn gợi lên nơi những khách hàng đã chọn lựa hoặc sử dụng bất kỳ sản phẩm nào của chúng tôi. Chúng tôi cố gắng dành thời gian, hiểu biết cũng như rất nhiều trăn trở nhằm dự đoán và tạo ra các thiết bị mà các khách hàng của chúng tôi thực sự muốn và cần có.

Sự quan tâm sâu sắc này cũng đồng nghĩa với việc cải tiến với tầm nhìn thấu suốt. Không phải thiết kế vị thiết kế, mà phải là thiết kế vị khách hàng. Đối với chúng tôi, những thiết kế sâu sắc có nghĩa tạo ra những thiết bị dễ sử dụng và tạo nên sự thích thú cho khách hàng khi vận hành, tạo điều kiện cho khách hàng tận hưởng mọi sự dễ chịu và xa hoa của thế kỷ 21. Mục tiêu của chúng tôi là mang đến cảm giác thoải mái này đến với nhiều người hơn nữa, trong nhiều lãnh vực hơn nữa của cuộc sống thường ngày trên toàn thế giới. Vì vậy, khi chúng tôi nói rằng chúng tôi đang nghĩ cho bạn, những khách hàng của Electrolux, bạn hiểu đó là lời nói thành tâm của chúng tôi.

Cam kết “luôn quan tâm đến khách hàng” của Electrolux không dừng lại ở việc đáp ứng nhu cầu hiện tại của quý khách hàng, mà còn là sự cam kết tạo ra các sản phẩm thân thiện với môi trường – cho hiện tại và cho thế hệ mai sau.

Electrolux. Thinking of you.

Chia sẻ thêm với chúng tôi tại

www.electrolux.com

DAFTAR ISI

Peringatan Awal untuk Menghindari Terkena Energi <i>Microwave</i> Berlebihan	2
Petunjuk Penting mengenai Keselamatan	2
Panduan Instalasi	4
Interferensi Radio	6
Sebelum Menghubungi Teknisi Servis	7
Panduan Peralatan Memasak	8
EMS3085X	
Diagram Produk	9
Panel Kontrol	10
Petunjuk Operasi	11
Menu Otomatis	16
EMS3087X	
Diagram Produk	17
Panel Kontrol	18
Petunjuk Operasi	19
Menu Otomatis	25
Spesifikasi	26
Pembersihan dan Perawatan	27
Pusat Layanan Pelanggan	28

Tindakan Pencegahan untuk Menghindari Terkena Energi Microwave Berlebihan

1. Jangan mengoperasikan oven ini dengan pintu oven terbuka karena dapat menyebabkan terkena energi *microwave* yang berbahaya. Jangan merusak atau mengakali sistem kunci pengaman.
2. Jangan meletakkan benda apapun antara rangka bukaan depan oven dan pintu oven atau membiarkan kotoran atau sisa zat pembersih menumpuk pada permukaan komponen penyekat.
3. Jangan dioperasikan bila oven rusak. Adalah penting agar pintu oven tertutup dengan baik dan tidak ada kerusakan pada:
 - a) Pintu (termasuk adanya lekukan),
 - b) Engsel dan pengait (patah atau longgar),
 - c) Sekat pintu dan permukaan penyekat.
4. Oven hanya boleh disetel dan diperbaiki oleh tenaga servis berkualifikasi.

Petunjuk Keselamatan yang Penting

Saat menggunakan peralatan listrik, peringatan mengenai keselamatan dasar harus selalu diikuti, termasuk hal-hal berikut:

PERINGATAN!-- Untuk mengurangi risiko luka bakar, sengatan listrik, kebakaran, cedera pada orang atau terkena energi *microwave*:

1. Bacalah semua petunjuk sebelum menggunakan oven ini.
2. Gunakan oven ini hanya untuk tujuan yang dimaksud sebagaimana dijelaskan dalam buku ini. Jangan menggunakan bahan kimia korosif atau uap pada oven ini. Oven jenis ini dirancang hanya untuk memanaskan, memasak, atau mengeringkan makanan. Oven ini tidak dirancang untuk pemakaian industri atau laboratorium.
3. Jangan mengoperasikan oven dalam keadaan kosong.
4. Jangan mengoperasikan oven ini bila kabel atau stekernya rusak, bila oven tidak bekerja dengan baik, atau telah mengalami kerusakan atau pernah terjatuh. Bila kabel listrik rusak, kabel hanya boleh diganti oleh Electrolux, agen servisnya, atau orang yang berkualifikasi serupa untuk menghindari bahaya.
5. **PERINGATAN!** -- Bila oven dioperasikan dalam moda kombinasi, anak-anak hanya boleh menggunakan oven di bawah pengawasan orang dewasa karena tingginya temperatur yang terjadi pada oven.
6. **PERINGATAN!** -- Berikan izin anak-anak untuk menggunakan oven tanpa pengawasan hanya bila kepada mereka telah diberikan petunjuk yang cukup sehingga mereka dapat menggunakan oven dengan cara yang aman dan mengerti bahaya dari penggunaan yang tidak tepat.
7. Untuk mengurangi risiko kebakaran dalam ruang oven:
 - Saat memanaskan makanan dalam wadah plastik atau kertas, awasi oven karena ada kemungkinan wadah terbakar.
 - Singkirkan kawat pengikat dari wadah /kantong kertas atau plastik sebelum wadah /kantong tersebut diletakkan di dalam oven.
 - Bila terlihat asap, matikan oven atau cabut stekernya dari stopkontak dan biarkan pintu oven tetap tertutup untuk memadamkan nyala api.
 - Jangan menggunakan ruang oven untuk tempat penyimpanan barang. Jangan meninggalkan produk-produk kertas, alat memasak, atau makanan dalam ruang oven bila oven tidak digunakan.

8. **PERINGATAN!** -- Cairan atau makanan lain tidak boleh dipanaskan dalam wadah yang tertutup rapat karena dapat meletus.
9. Pemanasan minuman dengan *microwave* dapat menyebabkan pendidihan letus yang tertunda, karena itu berhati-hatilah saat menangani wadahnya.
10. Jangan menggoreng makanan dalam oven. Minyak panas dapat merusak komponen oven dan bahkan menyebabkan luka bakar.
11. Telur dalam cangkangnya dan telur rebus utuh matang tidak boleh dipanaskan dalam oven *microwave* karena dapat meletus, walaupun pemanasan oleh oven *microwave* telah berakhir.
12. Makanan dengan kulit tebal harus dilubangi, seperti kentang, *squash*, apel, dan *chestnut* sebelum mulai memasak.
13. Isi botol susu dan wadah makanan bayi harus diaduk atau dikocok dan temperturnya harus diperiksa sebelum dikonsumsi untuk menghindari kulit melepuh.
14. Peralatan memasak dapat menjadi panas karena panas yang dipindahkan dari makanan yang telah dipanaskan. Alat pengangkat panci mungkin diperlukan untuk mengangkat wadah makanan.
15. Alat masak harus diperiksa untuk memastikan kesesuaiannya untuk digunakan dalam oven *microwave*.
16. **PERINGATAN!** -- Tindakan servis atau perbaikan yang melibatkan dilepaskannya tutup yang melindungi terhadap energi gelombang mikro oleh orang yang tidak berkompeten merupakan tindakan berbahaya.
17. Produk ini merupakan peralatan dalam *Group 2 Class B ISM*. Definisi *Group 2* mencakup semua peralatan *ISM* (industri, ilmiah, dan medik) dalam mana energi frekuensi radio dengan sengaja dibangkitkan dan /atau digunakan dalam bentuk radiasi elektromagnetik untuk perlakuan material, dan peralatan *spark erosion*. Peralatan *Class B* adalah peralatan yang sesuai untuk digunakan di rumah tangga dan di tempat yang terhubung langsung dengan jaringan catu daya tegangan rendah yang mencakup bangunan yang digunakan untuk urusan rumah tangga sehari-hari.
18. Oven ini tidak ditujukan untuk digunakan oleh orang-orang (termasuk anak-anak) yang memiliki kekurangan kemampuan fisik, sensorik, atau mental atau kurang pengalaman dan pengetahuan, kecuali kepada mereka telah diberikan pengawasan atau petunjuk mengenai penggunaan alat oleh orang yang bertanggung jawab atas keselamatan mereka.
19. Anak-anak harus diawasi untuk memastikan mereka tidak bermain-main dengan alat ini.
20. Oven *microwave* ini hanya untuk digunakan pada posisi berdiri bebas.
21. **PERHATIAN!** -- Jangan memasang oven di atas kompor tanam atau alat lain yang menghasilkan panas. Pemasangan yang demikian dapat menyebabkan kerusakan dan membatalkan garansi.
22. Permukaan yang bisa tersentuh dapat menjadi panas saat oven bekerja.
23. Oven *microwave* tidak boleh dipasang dalam kabinet (lemari).
24. Temperatur pintu atau permukaan luar oven dapat menjadi lebih tinggi saat oven bekerja.
25. Temperatur permukaan yang bisa tersentuh manusia dapat menjadi tinggi saat oven bekerja.
26. Oven harus diletakkan bersebelahan dengan dinding.

27. **PERINGATAN!** -- Bila pintu atau penyekat pintu rusak, oven tidak boleh digunakan sebelum diperbaiki oleh orang yang berkompeten.
28. Petunjuk ini menyatakan bahwa oven ini tidak ditujukan untuk digunakan dengan memakai pengatur waktu eksternal atau sistem kendali jarak jauh terpisah.
29. Oven *microwave* ini hanya untuk pemakaian rumah tangga dan bukan untuk penggunaan komersial.
30. Jangan sekali-kali melepaskan pengaman di sisi belakang atau samping oven, karena komponen tersebut berfungsi untuk mempertahankan jarak minimum dari dinding untuk sirkulasi udara.
31. Kunciilah *turntable* (tadah putar) sebelum oven dipindahkan untuk menghindari kerusakan.
32. **PERHATIAN!** -- Perbaikan atau perawatan oven selain oleh ahlinya adalah hal yang berbahaya karena hal tersebut menghendaki tutup oven dibuka yang memberikan perlindungan terhadap radiasi *microwave*. Hal ini berlaku juga untuk penggantian kabel listrik atau lampu oven. Dalam kasus yang demikian, bawalah oven ke pusat servis Electrolux.
33. Oven *microwave* ini hanya ditujukan untuk pencairan makanan beku, memasak, dan mengukus makanan.
34. Gunakanlah sarung tangan untuk mengeluarkan makanan yang telah dipanaskan.
35. Perhatian! Uap akan keluar dari oven saat tutup kemasan makanan lembar aluminium penutup makanan dibuka.
36. Oven ini dapat digunakan oleh anak-anak berusia 8 tahun atau lebih dan orang-orang yang memiliki kekurangan kemampuan fisik, sensorik, atau mental dan pengetahuan bila kepada mereka telah diberikan pengawasan atau petunjuk mengenai penggunaan oven dengan cara yang aman dan mereka memahami bahaya-bahaya yang terkait. Anak-anak tidak boleh tidak bermain-main dengan alat ini. Pembersihan dan perawatan oleh pengguna tidak boleh dilakukan oleh anak-anak kecuali mereka berusia lebih dari 8 tahun dan dengan pengawasan.
37. Bila terjadi asap, matikan oven atau cabut steker oven dari stopkontak dan biarkan pintu oven tertutup untuk memadamkan nyala api.
38. Telur utuh tidak boleh dimasak dalam mode memasak manapun.

Panduan Instalasi

1. Pastikan semua bahan kemasan telah disingkirkan dari sisi dalam pintu.
2. **PERINGATAN!** -- Periksalah apakah ada kerusakan pada oven, seperti pintu yang miring atau bengkok, sekat pintu dan permukaan penyekat yang rusak, engsel dan pengait pintu yang patah atau longgar, dan penyok di dalam ruang oven atau pada pintu. Bila terdapat kerusakan, jangan mengoperasikan oven dan hubungi teknisi servis resmi.
3. Oven ini harus ditempatkan di permukaan yang datar, stabil yang dapat menahan beratnya dan bobot terberat makanan yang diperkirakan akan dimasak dalam oven.
4. Jangan menempatkan oven di mana dapat timbul panas, uap air, atau kelembaban tinggi, atau di dekat bahan-bahan yang dapat terbakar.
5. Untuk operasi yang tepat, harus ada aliran udara yang cukup pada oven. Sediakan jarak 20 cm di atas oven, 10 cm di belakang, dan 5 cm di kedua sisi oven. Jangan menutup atau menghalangi lubang-lubang yang terdapat pada oven. Jangan melepaskan kaki oven.
6. Jangan mengoperasikan oven tanpa baki kaca, penyangga rol, serta poros pada posisi yang semestinya.
7. Pastikan kabel listrik oven tidak rusak dan tidak dilewatkan di bawah oven atau di atas permukaan yang panas atau tajam.
8. Stopkontak harus mudah dijangkau agar steker mudah dicabut dalam keadaan darurat.
9. Jangan mengoperasikan oven di luar ruangan.

Petunjuk Pentanahan /Arde (*Grounding*)

Oven ini harus ditanahkan. Oven ini dilengkapi dengan kabel yang memiliki kawat tanah dan steker dengan saluran arde. Steker hanya boleh ditancapkan pada suatu stopkontak yang dipasang dan ditanahkan dengan baik. Bila terjadi hubung singkat listrik, arde mengurangi risiko sengatan listrik dengan menyediakan kawat pelarian bagi arus listrik. Dianjurkan untuk menggunakan sirkuit listrik terpisah yang digunakan hanya untuk oven ini. Penggunaan tegangan tinggi adalah berbahaya dan dapat menyebabkan kebakaran atau kecelakaan lainnya yang menyebabkan kerusakan oven.

PERINGATAN! -- Penggunaan pin pentanahan (arde) yang tidak semestinya dapat menyebabkan risiko sengatan listrik.

Catatan:

1. Bila anda memiliki pertanyaan mengenai pentanahan atau petunjuk kelistrikan, hubungilah teknisi listrik atau personil servis berkualifikasi.
2. Baik Electrolux maupun penyalurnya tidak bertanggung jawab atas kerusakan pada oven atau cedera yang disebabkan dari tidak dipatuhinya prosedur sambungan listrik.

Kabel-kabel listrik dalam oven ini memiliki warna sesuai kode warna berikut:

Hijau dan Kuning = ARDE (TANAH)

Biru = NETRAL

Coklat = ARUS

Interferensi Radio

Operasi oven *microwave* dapat menyebabkan interferensi pada radio, TV, atau peralatan sejenis lainnya. Bila terjadi interferensi, hal tersebut dapat dikurangi atau dihilangkan dengan mengambil tindakan-tindakan berikut:

1. Bersihkan pintu dan permukaan penyekat oven.
2. Ubah arah antena penerima radio atau televisi tersebut.
3. Pindahkan lokasi oven *microwave* dari posisi semula terhadap pesawat radio atau televisi tersebut.
4. Pindahkan posisi oven *microwave* menjauh dari pesawat radio atau televisi tersebut.
5. Pasang steker oven *microwave* pada stopkontak yang berbeda sehingga oven *microwave* dan pesawat radio atau televisi tersebut berada pada cabang sirkuit yang berbeda.

Sebelum Menelepon Layanan Pelanggan

Sebelum menelepon layanan pelanggan, periksalah masing-masing hal berikut:

- Pastikan steker oven telah terpasang erat. Bila tidak, cabut steker oven dari stopkontak, tunggu 10 detik, lalu pasang kembali dengan erat.
- Periksalah apakah ada sekering yang putus atau pemutus arus yang jatuh. Bila komponen-komponen tersebut tampak baik, ujilah stopkontak menggunakan peralatan listrik lain.
- Pastikan panel kontrol telah diprogram dengan benar dan pengatur waktu telah disetel.
- Pastikan pintu telah tertutup rapat, dengan sistem pengunci pintu bekerja. Bila pintu tidak tertutup rapat, energi *microwave* tidak akan mengalir ke dalam oven.

BILA TIDAK SATUPUN DARI HAL-HAL DI ATAS YANG MENGATASI MASALAH YANG ADA, SILAKAN HUBUNGI TEKNISI RESMI. JANGAN BERUPAYA UNTUK MENYETEL ATAU MEMPERBAIKI SENDIRI OVEN INI.

Teknik-teknik Memasak

1. Susunlah makanan dengan baik. Tempatkan bagian makanan yang paling tebal di pinggir wadah makanan.
2. Pantau waktu memasak. Masaklah makanan untuk waktu tersingkat yang dianjurkan dan tambahkan sesuai keperluan. Makanan yang terlalu matang dapat menimbulkan asap atau justru terbakar.
3. Tutuplah makanan saat dimasak. Tutup makanan mencegah cipratan dan membantu makanan agar lebih matang merata.
4. Balikkan makanan satu kali selama memasak dengan *microwave* untuk mempercepat proses memasak makanan seperti ayam dan hamburger. Makanan berukuran besar seperti daging panggang harus dibalikkan sekurang-kurangnya satu kali.
5. Atur susunan atau posisi makanan seperti bakso setelah separuh waktu memasak, baik posisi atas dan bawahnya maupun letaknya dari tengah ke pinggir wadah bergantian.

Panduan Peralatan Memasak

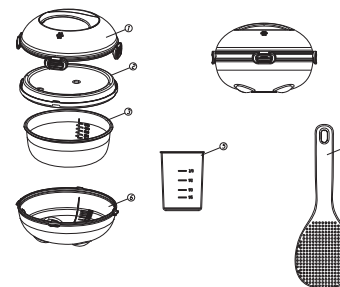
1. Bahan yang ideal untuk peralatan memasak bagi *microwave* adalah transparan bagi gelombang mikro (*microwave*), yang memungkinkan energi menembus wadah tersebut dan memanaskan makanan.
2. Gelombang mikro tidak dapat menembus logam, jadi hindarkan menggunakan peralatan memasak dari logam atau yang memiliki hiasan logam.
3. Jangan menggunakan produk dari kertas daur ulang untuk memasak dalam oven *microwave*, karena bahan tersebut mungkin mengandung kepingan kecil logam yang dapat menimbulkan bunga api dan /atau nyala api.
4. Dianjurkan untuk menggunakan wadah bulat /oval dibandingkan wadah persegi /kotak karena makanan di sudut wadah cenderung mudah hangus.
5. Potongan kecil lembaran aluminium dapat digunakan untuk mencegah bagian makanan yang terbuka menjadi terlalu matang. Berhati-hatilah agar tidak terlalu banyak menggunakan lembar aluminium dan pertahankan jarak 1 inci (2,54cm) antara lembar aluminium dan dinding oven.

Daftar berikut memberikan panduan umum untuk membantu anda memilih peralatan memasak yang tepat.

Peralatan memasak	<i>Microwave</i>	<i>Grill</i>	Konveksi	Kombinasi*
Kaca Tahan Panas	Ya	Ya	Ya	Ya
Kaca Tidak Tahan Panas	Tidak	Tidak	Tidak	Tidak
Keramik Tahan Panas	Ya	Ya	Ya	Ya
Wadah Plastik untuk Penggunaan di Oven <i>Microwave</i>	Ya	Tidak	Tidak	Tidak
Tisu Dapur	Ya	Tidak	Tidak	Tidak
Baki Logam (opsional)	Tidak	Ya	Ya	Tidak
Rak Logam	Tidak	Ya	Ya	Tidak
Lembar Aluminium & Wadah Aluminium	Tidak	Ya	Ya	Tidak
<i>Steam Pot</i> /Panci Kukus (opsional)	Ya	Tidak	Tidak	Tidak

Kombinasi: berlaku untuk memasak dengan "*microwave + grill*", dan "*microwave + konveksi*".

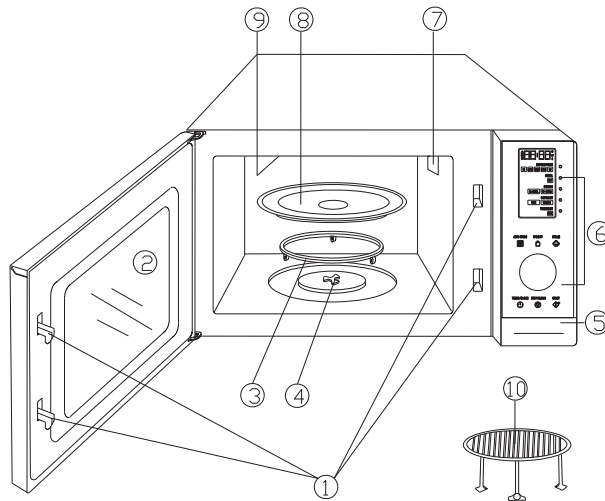
Aksesori (Opsional)



1. Tutup
2. Piringan atas dalam (plat atas)
3. Wadah dalam
4. Sendok nasi
5. Cangkir takar
6. Wadah bawah

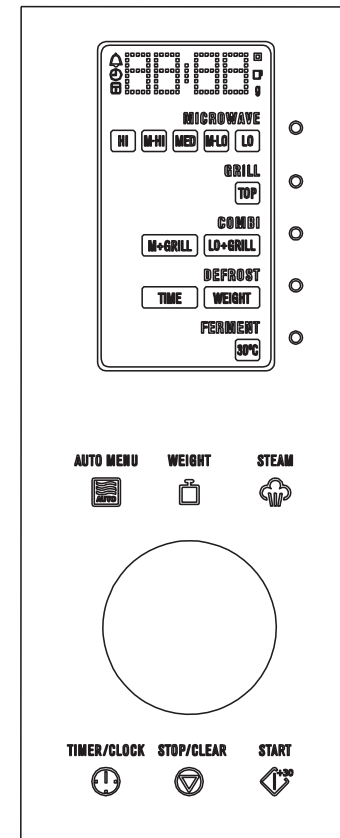
Diagram Produk

EMS3085X



- ① Sistem Pengaman Pintu
- ② Jendela Oven
- ③ Cincin Beroda (*Roller Ring*)
- ④ Poros
- ⑤ Tombol Pembebas Pintu
- ⑥ Panel Kontrol
- ⑦ Pengarah Gelombang (Jangan melepas plat mika yang menutupi pengarah gelombang)
- ⑧ Baki Kaca
- ⑨ Pemanas *Grill*
- ⑩ Rak Logam

Panel Kontrol



- **LAYAR**
Waktu memasak, indikator daya listrik dan tampilan jam.
- **MICROWAVE**
Gunakan untuk memilih tingkat daya *microwave*
- **COMBI (KOMBINASI)**
Gunakan untuk memilih temperatur memasak dengan *microwave* dan *grill*.
- **GRILL**
Gunakan untuk mengatur memasak dengan *grill*.
- **DEFROST (PENCAIRAN MAKANAN BEKU)**
Gunakan untuk mengatur program pencairan makanan beku berdasarkan waktu atau berat .
- **FERMENT (FERMENTASI)**
Gunakan untuk mengatur memasak dengan fermentasi.
- **AUTO MENU (MENU OTOMATIS)**
Gunakan untuk mengatur memasak dengan menu otomatis.
- **WEIGHT (BOBOT)**
Gunakan untuk menentukan bobot makanan.
- **STEAM (KUKUS)**
Gunakan untuk mengatur memasak dengan menu kukus.
- **STOP/CLEAR (BERHENTI /HAPUS)**
Gunakan untuk menghentikan sementara proses memasak, membatalkan semua setelan atau mengatur kunci pengaman anak.
- **TIMER/ CLOCK (PENGATUR WAKTU /JAM)**
Gunakan untuk mengatur jam oven dan penghitung waktu (*timer*).
- **DIAL (KENOP PUTAR)**
Gunakan untuk mengatur waktu atau berat makanan.
- **START**
Gunakan untuk mulai menyalakan oven atau mengatur program mulai cepat (*quick start*).

Petunjuk Operasi

- Bila pada saat memasak, tombol STOP/CLEAR ditekan satu kali atau pintu oven dibuka, program akan berhenti, tekan lagi tombol START untuk melanjutkan. Tapi bila STOP/CLEAR ditekan dua kali, program tersebut akan batal.
- Setelah proses memasak selesai, sistem akan membunyikan nada peringatan untuk memperingatkan pengguna setiap dua menit hingga tombol STOP/CLEAR ditekan atau pintu oven dibuka.

Mengatur Jam

Oven ini menggunakan setelan 24 jam. Selama memasak, waktu terkini dapat dilihat dengan menyentuh tombol TIMER/CLOCK dua kali.

1. Sentuh tombol TIMER/CLOCK dua kali.
2. Atur kenop putar (DIAL) untuk mengatur angka jam.
3. Sentuh tombol TIMER/CLOCK untuk menegaskan.
4. Atur kenop putar (DIAL) untuk mengatur angka menit.
5. Sentuh tombol TIMER/CLOCK sekali lagi untuk menegaskan.

Mengatur Penghitung Waktu (Kitchen Timer)

Timer dapat diatur untuk mengingatkan anda tentang lama waktu memasak. Waktu terlama yang dapat dipilih adalah 95 menit.

Misalkan anda ingin mengatur waktu *timer* untuk 30 menit:

1. Tekan tombol TIMER/CLOCK satu kali.
2. Atur kenop putar untuk mendapatkan angka 30:00.
3. Tekan tombol START untuk menegaskan.

- Catatan:**
1. Bila anda mengabaikan langkah 2, *timer* akan menghitung mulai dari 0:00, hingga 95:00.
 2. Saat *timer* bekerja, tombol TIMER/CLOCK dapat ditekan untuk melihat waktu *timer*.
 3. Saat *timer* disetel ke moda siaga, layar akan menampilkan waktu *timer*, dan waktu memasak dapat diubah. Bila tombol STOP/CLEAR ditekan satu kali, penghitungan akan berhenti, tekan lagi tombol START untuk melanjutkan. Tapi bila STOP/CLEAR ditekan dua kali, program tersebut akan batal. Selama memasak, waktu *timer* tidak dapat dibatalkan.

Memasak dengan Microwave

1. Sentuh tombol MICROWAVE berulang-ulang untuk memilih tingkat daya *microwave*.

Tingkat Daya	100 %	80%	60 %	40 %	20 %
Tampilan Layar	HI (Tinggi)	M-HI (Sedang-Tinggi)	MED (Sedang)	M-LO (Sedang-Rendah)	LO (Rendah)

2. Atur kenop putar untuk memasukkan waktu memasak. Waktu memasak maksimum adalah 95 menit.
3. Sentuh tombol START.

- Catatan:** Setelan tingkat daya yang baru akan bertahan saat tombol MICROWAVE disentuh atau hingga pengaturan ulang (*reset*) dilakukan atau bila aliran listrik dimatikan.

Memasak dengan Grill

Memasak dengan *Grill* bermanfaat terutama untuk irisan daging tipis, *steak*, potongan daging, kebab, sosis, dan potongan ayam. Waktu memasak maksimum adalah 95 menit.

1. Sentuh tombol GRILL satu kali.
2. Atur kenop putar untuk memasukkan waktu memasak.
3. Sentuh tombol START.

Memasak dengan Grill + Microwave

Waktu memasak maksimum di sini adalah 95 menit.

Misalnya anda ingin menyatel memasak kombinasi selama 25 menit.

1. Buka pintu oven dan tempatkan makanan dalam oven, lalu tutup pintunya.
2. Tekan tombol COMBI satu atau dua kali.

Tekan tombol COMBI	Kombinasi	Waktu memasak	
		Microwave	Grill
satu kali	M+GRILL	30%	70%
dua kali	LO+GRILL	55%	45%

3. Atur kenop putar untuk memasukkan angka 25:00
4. Sentuh tombol START untuk mulai memasak.

Catatan: Tingkat daya yang dipilih di sini hanya bisa berubah bila oven disetel ulang (*di-reset*) atau aliran listrik ke oven diputuskan.

Mulai Cepat (Quick Start)

Dalam moda siaga, tekan tombol START berulang-ulang untuk memasukkan waktu memasak, waktu maksimum adalah 95 menit, dan oven akan mulai bekerja secara otomatis pada tingkat daya 100%.

Memasak Multi Tahap

Tahap pertama	Defrost (Pencairan) / Memasak dengan Microwave / Memasak dengan Grill / Menu Kukus / Memasak dengan Microwave + Grill
Tahap kedua	Memasak dengan Microwave / Memasak dengan Grill / Menu Kukus / Memasak dengan Microwave + Grill

1. Program memasak tahap pertama. JANGAN SENTUH TOMBOL START.
2. Atur program memasak tahap kedua.
3. Sentuh tombol START.

Pencairan Berdasarkan Waktu (*Time Defrost*)

Waktu pencairan maksimum adalah 95 menit.

1. Sentuh tombol DEFROST berulang-ulang untuk memilih pencairan berdasarkan waktu.
2. Masukkan waktu pencairan yang diinginkan dengan mengatur kenop putar.
3. Sentuh tombol START.

Catatan: Setelah dua pertiga waktu pencairan berlalu, kompor akan berhenti dan nada peringatan berbunyi untuk mengingatkan pengguna untuk membalikkan makanan. Kemudian tutup kembali pintu oven dan tekan tombol START untuk melanjutkan kerja oven.

Pencairan Berdasarkan Bobot (*Weight Defrost*)

Waktu dan tingkat daya pencairan makanan diatur secara otomatis setelah bobot makanan diprogram.

Rentang bobot makanan beku bervariasi antara 100 g dan 1000 g.

1. Sentuh tombol DEFROST berulang-ulang untuk memilih pencairan berdasarkan bobot.
2. Atur kenop putar untuk memasukkan bobot makanan.
3. Tekan tombol START untuk memulai proses memasak.

Catatan: Dalam waktu berlangsungnya program pencairan, sistem akan berhenti sesaat dan nada peringatan berbunyi untuk mengingatkan pengguna untuk membalikkan makanan, kemudian menekan tombol START untuk melanjutkan.

Catatan: Metode pencairan yang dipilih di sini hanya bisa berubah bila oven disetel ulang (di-reset) atau aliran listrik ke oven diputuskan.

Ferment (*Fermentasi*)

Program ini membantu anda melakukan fermentasi dengan mudah. Setelan standar adalah menggunakan temperatur 30°C.

1. Letakkan makanan dalam wadah yang lebih besar dan dan bertutup di dalam oven.
2. Sentuh tombol FERMENT satu kali.
3. Atur kenop putar untuk memasukkan waktu yang diinginkan (hingga 95 menit).
4. Tekan tombol START.

Menu Kukus (*Steam Menu*) (hanya dapat digunakan dengan aksesoris *steam pot* (panci kukus))

1. Sentuh tombol STEAM satu kali.
2. Atur kenop putar untuk memilih kode menu kukus.
3. Sentuh tombol WEIGHT (BOBOT).
4. Atur kenop putar untuk memilih bobot atau jumlah makanan.
5. Tekan tombol START.

Menu Kukus (*Steam Menu*):

Kode	Menu	Kode	Menu
S-1	Ikan Kukus (g)	S-4	Steam Dim Sum- Dipanaskan ulang (g)
S-2	Sayuran Kukus (g)	S-5	Nasi (<i>Steam Rice</i>) – Dipanaskan ulang (g)
S-3	Telur Rebus (Porsi)		

S-1 Ikan Kukus (g)

Isi: ikan 200 g – 400 g

Langkah:

1. Wadah bawah: isikan air 200 ml ke wadah bawah.
2. Wadah dalam: bumbu ikan dan masukkan ke wadah dalam.
3. Letakkan wadah dalam di wadah bawah dan kunci tutupnya.
4. Pilih bobot makanan sebagai berikut, maka waktu dan daya akan mengikuti setelan standar secara otomatis sebagai berikut:

Bobot (g)	waktu	daya
200	6:00	M-HI (Sedang-Tinggi)
300	8:00	
400	10:00	

S-2 Sayuran Kukus (g)

Isi: sayuran 200 g - 400 g

Langkah:

1. Wadah bawah: isikan air 200 ml ke wadah bawah.
2. Wadah dalam: cuci sayuran dan masukkan ke wadah dalam.
3. Letakkan wadah dalam di wadah bawah dan kunci tutupnya.
4. Pilih bobot makanan sebagai berikut, maka waktu dan daya akan mengikuti setelan standar secara otomatis sebagai berikut:

Bobot (g)	waktu	daya
200	6:00	HI (Tinggi)
300	7:00	
400	8:00	

S-3 Telur Rebus (porisi)

Isi: 2 telur

Langkah:

1. Wadah bawah: isikan air 200 ml ke wadah bawah.
2. Wadah dalam: pecahkan telur dan masukkan wadah dalam, tambahkan 200 ml air dengan sedikit garam, aduk adonan telur hingga rata.
3. Letakkan wadah dalam di wadah bawah dan kunci tutupnya.
4. Pilih bobot makanan sebagai berikut, maka waktu dan daya akan mengikuti setelan standar secara otomatis sebagai berikut:

Bobot (porisi)	waktu	daya
1	7:00	MED (Sedang)

S-4 Dim Sum Kukus (g) --dipanaskan ulang

Isi: dim sum

Langkah:

1. Wadah bawah: isikan air 200 ml ke wadah bawah.
2. Wadah dalam: masukkan dim sum ke wadah dalam.
3. Letakkan wadah dalam di wadah bawah dan kunci tutupnya.
4. Pilih bobot makanan sebagai berikut, maka waktu dan daya akan mengikuti setelan standar secara otomatis sebagai berikut:

Bobot (g)	waktu	daya
100	2:00	MED (Sedang)
200	3:30	
300	5:00	

S-5 Nasi (g) --dipanaskan ulang

Isi : beras 200 -400 g Langkah:

1. Wadah bawah: isikan air 200 ml ke wadah bawah
2. Wadah dalam: nasi matang yang akan dipanaskan ulang
3. Letakkan wadah dalam di wadah bawah dan kunci tutupnya.
4. Pilih bobot makanan sebagai berikut, maka waktu dan daya akan mengikuti setelan standar secara otomatis sebagai berikut:

Bobot (g)	waktu	daya
200	3:00	HI (Tinggi)
300	4:00	
400	5:00	

- Catatan: 1. Mengukus hanya dapat dilakukan bersama dengan panci kukus (*steam pot*).
 2. Menu yang ditetapkan di sini hanya akan berubah bila oven di-*reset* atau aliran listrik ke oven diputuskan.

Mengaktifkan Kunci Pengaman Anak

Kunci pengaman ini mencegah penggunaan oven oleh anak-anak tanpa diawasi.

- Untuk mengaktifkan kunci pengaman anak: dalam moda siaga, tekan tombol STOP /CLEAR 3 detik, nada peringatan akan berbunyi. Dalam keadaan terkunci, oven tidak bisa bekerja.
- Untuk membuka kunci pengaman: Tekan tombol STOP /CLEAR 3 detik, nada peringatan akan berbunyi, maka oven sudah dapat digunakan.

Menu Otomatis (Auto Menu)

Waktu memasak dan tingkat daya tidak perlu diprogram.

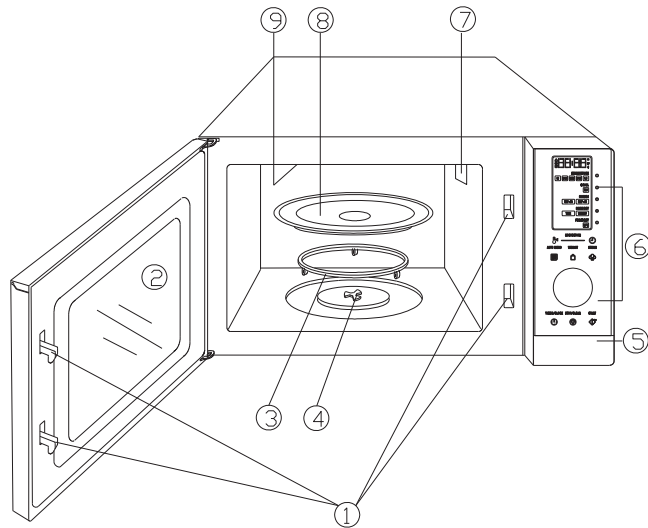
1. Sentuh tombol AUTO MENU satu kali.
2. Atur kenop putar untuk memilih kode menu.
3. Sentuh tombol WEIGHT (BOBOT).
4. Atur kenop putar untuk memilih bobot atau jumlah makanan.
5. Sentuh tombol START.

Menu *auto cook* (memasak otomatis)

Kode	Menu	Catatan:
A-1	Ayam <i>Grill</i> (g)	<ul style="list-style-type: none"> • Untuk menu A-1 hingga A-4 dan A-9, selama memasak, sistem akan berhenti sesaat dan memberikan nada peringatan untuk mengingatkan pengguna agar membalikkan makanan agar matang merata, kemudian tutup pintu oven dan menekan tombol START untuk melanjutkan proses memasak. • Hasil dari program memasak otomatis tergantung pada faktor-faktor seperti fluktuasi tegangan, bentuk dan ukuran makanan, preferensi pribadi seperti kematangan makanan tertentu dan seberapa baik susunan makanan dalam oven. Bila anda menemukan hasilnya pada tingkat daya berapapun tidak memuaskan, atur ulang waktu memasak dengan mengubahnya sedikit demi sedikit. • Menu yang ditetapkan di sini hanya akan berubah bila oven di-<i>reset</i> atau aliran listrik ke oven diputuskan. • Menu A-7 untuk masak nasi, menggunakan <i>steam pot</i>. Cara penggunaan lihat pada buku paduan <i>steam pot</i>.
A-2	Panggang daging sapi /kambing * (g)	
A-3	Daging babi panggang (g)	
A-4	Ikan Bakar (g)	
A-5	Kentang Bakar (230 g/ per buah)	
A-6	Pasta (g)	
A-7	Nasi (g)	
A-8	<i>Congee</i> /Bubur (g)	
A-9	Roti panggang (potong)	
A-10	<i>Popcorn</i> (100 g)	
A-11	Dim Sum (pemanasan ulang) (g)	
A-12	Minuman (200 ml/ per porsi)	

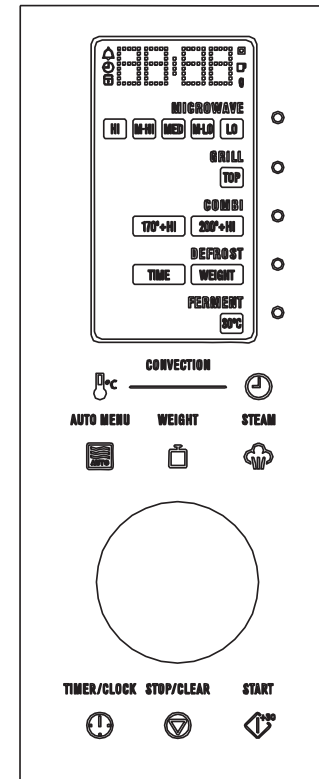
Diagram Produk

EMS3087X



- ① Sistem Pengaman Pintu
- ② Jendela Oven
- ③ Cincin Beroda (*Roller Ring*)
- ④ Poros
- ⑤ Tombol Pembebas Pintu
- ⑥ Panel Kontrol
- ⑦ Pengarah Gelombang (Jangan melepas plat mika yang menutupi pengarah gelombang)
- ⑧ *Turntable* (Tadah Putar) Kaca
- ⑨ Pemanas *Grill*
- ⑩ Rak Logam

Panel Kontrol



- **LAYAR**
Waktu memasak, indikator daya listrik dan tampilan jam.
- **MICROWAVE**
Gunakan untuk memilih tingkat daya *microwave*
- **COMBI (KOMBINASI)**
Gunakan untuk memilih temperatur memasak dengan *microwave* dan kombinasi konveksi.
- **GRILL**
Gunakan untuk mengatur memasak dengan *grill*.
- **DEFROST (PENCAIRAN MAKANAN BEKU)**
Gunakan untuk mengatur program pencairan makanan beku berdasarkan waktu atau berat .
- **FERMENT (FERMENTASI)**
Gunakan untuk mengatur memasak dengan fermentasi.
- **AUTO MENU (MENU OTOMATIS)**
Gunakan untuk mengatur memasak dengan menu otomatis.
- **CONVECTION (KONVEKSI)**
Gunakan untuk memilih temperatur dan waktu memasak dengan konveksi.
- **WEIGHT (BOBOT)**
Gunakan untuk menentukan bobot makanan.
- **STEAM (KUKUS)**
Gunakan untuk mengatur memasak dengan menu kukus.
- **STOP/CLEAR (BERHENTI /HAPUS)**
Gunakan untuk menghentikan sementara proses memasak, membatalkan semua setelan atau mengatur kunci pengaman anak.
- **TIMER/ CLOCK**
Gunakan untuk mengatur jam oven dan penghitung waktu (*timer*).
- **DIAL (KENOP PUTAR)**
Gunakan untuk mengatur waktu atau berat makanan.
- **START**
Gunakan untuk mulai menyalakan oven atau mengatur program mulai cepat (*quick start*).

Petunjuk Operasi

- Bila pada saat memasak, tombol STOP/CLEAR ditekan satu kali atau pintu oven dibuka, program akan berhenti, tekan lagi tombol START untuk melanjutkan. Tapi bila STOP/CLEAR ditekan dua kali, program tersebut akan batal.
- Setelah proses memasak selesai, sistem akan memberikan nada untuk memperingatkan pengguna setiap dua menit hingga tombol STOP/CLEAR ditekan sebelum pintu oven dibuka.

Mengatur Jam

Oven ini menggunakan setelan 24 jam. Selama memasak, waktu terkini dapat dilihat dengan menyentuh tombol TIMER/CLOCK dua kali.

1. Sentuh tombol TIMER/CLOCK dua kali.
2. Atur kenop putar (DIAL) untuk mengatur angka jam.
3. Sentuh tombol TIMER/CLOCK untuk menegaskan.
4. Atur kenop putar (DIAL) untuk mengatur angka menit.
5. Sentuh tombol TIMER/CLOCK sekali lagi untuk menegaskan.

Mengatur Penghitung Waktu (Kitchen Timer)

Timer dapat diatur untuk mengingatkan anda tentang lama waktu memasak. Waktu terlama yang dapat dipilih adalah 95 menit.

Misalkan anda ingin mengatur waktu untuk 30 menit:

1. Tekan tombol TIMER/CLOCK satu kali.
2. Atur kenop putar untuk memasukkan angka 30:00.
3. Tekan tombol START untuk menegaskan.

Catatan:

1. Bila anda mengabaikan langkah 2, *timer* akan menghitung mulai dari 0:00, hingga 95:00.
2. Saat *timer* bekerja, tombol TIMER/CLOCK dapat ditekan untuk melihat waktu *timer*.
3. Saat *timer* disetel ke moda siaga, layar akan menampilkan waktu *timer*, dan anda dapat mengatur waktu memasak. Bila tombol STOP/CLEAR ditekan satu kali, penghitungan akan berhenti, tekan lagi tombol START untuk melanjutkan. Tapi bila STOP/CLEAR ditekan dua kali, program tersebut akan batal. Selama memasak, waktu *timer* dapat dibatalkan.

Memasak dengan Microwave

1. Sentuh tombol MICROWAVE berulang-ulang untuk memilih tingkat daya *microwave*.

Tingkat Daya	100 %	80%	60 %	40 %	20 %
Tampilan Layar	HI (Tinggi)	M-HI (Sedang-Tinggi)	MED (Sedang)	M-LO (Sedang-Rendah)	LO (Rendah)

2. Atur kenop putar untuk memasukkan waktu memasak. Waktu memasak maksimum adalah 95 menit.
3. Sentuh tombol START.

Catatan: Setelan tingkat daya yang ditetapkan di sini hanya akan berubah bila oven di-reset atau aliran listrik ke oven diputuskan.

Memasak dengan Grill


Memasak dengan *Grill* bermanfaat terutama untuk irisan daging tipis, *steak*, potongan daging, kebab, sosis, dan potongan ayam. Waktu memasak maksimum adalah 95 menit.

1. Sentuh tombol GRILL satu kali.
2. Atur kenop putar untuk memasukkan waktu memasak.
3. Sentuh tombol START.



Mulai Cepat

Dalam moda siaga, tekan tombol START berulang-ulang untuk memasukkan waktu memasak, waktu maksimum adalah 95 menit, dan oven akan mulai bekerja secara otomatis pada tingkat daya 100%.

Memasak dengan Konveksi


Selama memasak dengan konveksi, udara panas disirkulasikan di seluruh ruang oven agar makanan cepat renyah secara merata. Oven ini memiliki sepuluh pilihan temperatur memasak dari 110° C hingga 200°C. Waktu memasak maksimum adalah 95 menit. Selama memasak, temperatur yang dipilih dapat dilihat dengan menyentuh tombol .

Untuk Memasak dengan Konveksi:

1. Sentuh tombol  satu kali dan atur kenop putar ke temperatur yang diinginkan.
2. Sentuh tombol  satu kali.
3. Atur kenop putar untuk memasukkan waktu memasak.
4. Sentuh tombol START.

Untuk Pemanasan Awal dan Memasak dengan Konveksi:

Oven anda dapat diprogram untuk menggabungkan operasi memasak dengan pemanasan awal dan dengan konveksi.

1. Sentuh tombol  satu kali.
2. Atur kenop putar ke temperatur yang diinginkan.
3. Sentuh tombol START. Saat oven mencapai temperatur yang telah diprogram, nada peringatan akan berbunyi.
4. Buka pintu oven dan tempatkan wadah makanan di tengah *turntable* (tadah putar).
5. Atur kenop putar untuk memasukkan waktu memasak.
6. Sentuh tombol START.

Catatan: Waktu maksimum pemanasan ulang adalah 30 menit dan waktu pemanasan awal tidak dapat diatur. Saat temperatur mencapai temperatur pada pemanasan awal maka temperatur akan bertahan selama 30 menit. Bila pintu oven tidak dibuka dalam dalam 30 menit, maka sistem akan berhenti secara automatic.

Memasak dengan Microwave + Konveksi

Oven ini memiliki dua temperatur memasak kombinasi 170°C + HI dan 200°C + HI.

1. Sentuh tombol COMBI berulang-ulang untuk memilih temperatur kombinasi.
2. Atur kenop putar untuk memasukkan waktu memasak. Waktu memasak maksimum adalah 95 menit.
3. Sentuh tombol START.

Catatan: Setelan tingkat daya yang ditetapkan di sini hanya akan berubah bila oven di-reset atau aliran listrik ke oven diputuskan.

Memasak Multi Tahap

Tahap pertama	Defrost (Pencapaian) / Memasak dengan Microwave / Memasak dengan Grill / Menu Kukus/ Memasak dengan Konveksi (tanpa pemanasan awal) / Memasak dengan Microwave + Konveksi
Tahap kedua	Memasak dengan Microwave / Memasak dengan Grill / Menu Kukus/ Memasak dengan Konveksi (tanpa pemanasan awal) / Memasak dengan Microwave + Konveksi

1. Program memasak tahap pertama. JANGAN SENTUH TOMBOL START.
2. Atur program memasak tahap kedua.
3. Sentuh tombol START.

Pencairan Berdasarkan Waktu (Time Defrost)

Waktu pencairan maksimum adalah 95 menit.

1. Sentuh tombol DEFROST berulang-ulang untuk memilih pencairan berdasarkan waktu.
2. Masukkan waktu pencairan yang diinginkan dengan mengatur kenop putar.
3. Sentuh tombol START.

Catatan: Setelah dua pertiga waktu pencairan berlalu, kompor akan berhenti dan nada peringatan berbunyi untuk mengingatkan pengguna untuk membalikkan makanan. Kemudian tutup kembali pintu oven dan tekan tombol START untuk melanjutkan kerja oven.

Pencairan Berdasarkan Bobot (Weight Defrost)

Waktu dan tingkat daya pencairan makanan diatur secara otomatis setelah bobot makanan diprogram. Rentang bobot makanan beku bervariasi antara 100 g dan 1000 g.

1. Sentuh tombol DEFROST berulang-ulang untuk memilih pencairan berdasarkan bobot.
2. Atur kenop putar untuk memasukkan bobot makanan.
3. Tekan tombol START untuk memulai proses memasak.

Catatan: Selama program pencairan, sistem akan berhenti sesaat dan nada peringatan berbunyi untuk mengingatkan pengguna untuk membalikkan makanan, kemudian tekan tombol START untuk melanjutkan.

Catatan: Metode pencairan yang ditetapkan di sini hanya akan berubah bila oven di-reset atau aliran listrik ke oven diputuskan.

Ferment (Fermentasi)

Program ini membantu anda melakukan fermentasi dengan mudah. Setelan standarnya adalah pada temperatur 30°C.

1. Letakkan makanan dalam wadah yang lebih besar dan dan tertutup di dalam oven.
2. Sentuh tombol FERMENT satu kali.
3. Atur kenop putar untuk memasukkan waktu yang diinginkan (dianjurkan dari 60 menit hingga 95 menit).
4. Tekan tombol START.

Menu Kukus (Steam Menu) (hanya dapat digunakan menggunakan aksesori steam pot /panci kukus)

1. Sentuh tombol STEAM satu kali.
2. Atur kenop putar untuk memilih kode menu kukus.
3. Sentuh tombol WEIGHT (BOBOT).
4. Atur kenop putar untuk memilih bobot atau jumlah makanan.
5. Tekan tombol START.

Menu Kukus (Steam Menu):

Kode	Menu	Kode	Menu
S-1	Ikan Kukus (g)	S-4	Steam Dim Sum –Dipanaskan ulang (g)
S-2	Sayuran Kukus (g)	S-5	Nasi (Steam Rice) –Dipanaskan ulang(g)
S-3	Telur Rebus (Porsi)		

- S-1 Ikan Kukus (g)
Isi: ikan 200 g – 400 g
Langkah:
1. Wadah bawah: isikan air 200 ml ke wadah bawah.
 2. Wadah dalam: bumbu ikan dan masukkan ke wadah dalam.
 3. Letakkan wadah dalam di wadah bawah dan kunci tutupnya.
 4. Pilih bobot makanan sebagai berikut, maka waktu dan daya akan mengikuti setelan standar secara otomatis sebagai berikut:

Bobot (g)	waktu	daya
200	6:00	M-HI (Sedang-Tinggi)
300	8:00	
400	10:00	

- S-2 Sayuran Kukus (g)
Isi: sayuran 200 g - 400 g
Langkah:
1. Wadah bawah: isikan air 200 ml ke wadah bawah.
 2. Wadah dalam: cuci sayuran dan masukkan ke wadah dalam.
 3. Letakkan wadah dalam di wadah bawah dan kunci tutupnya.
 4. Pilih bobot makanan sebagai berikut, maka waktu dan daya akan mengikuti setelan standar secara otomatis sebagai berikut:

Bobot (g)	waktu	daya
200	6:00	HI (Tinggi)
300	7:00	
400	8:00	

S-3 Telur Rebus (porsi)

Isi: 2 telur

Langkah:

1. Wadah bawah: isikan air 200 ml ke wadah bawah.
2. Wadah dalam: pecahkan telur dan masukkan ke dalam panci, tambahkan 200 ml air dengan sedikit garam, aduk adonan telur tersebut hingga rata.
3. Letakkan wadah dalam di wadah bawah dan kunci tutupnya.
4. Pilih bobot makanan sebagai berikut, maka waktu dan daya akan mengikuti setelan standar secara otomatis sebagai berikut:

Bobot (porsi)	waktu	daya
1	7:00	MED (Sedang)

S-4 Dim Sum Kukus (g) --dipanaskan ulang

Isi: dim sum

Langkah:

1. Wadah bawah: isikan air 200 ml ke wadah bawah.
2. Wadah dalam: masukkan dim sum ke wadah dalam.
3. Letakkan wadah dalam di wadah bawah dan kunci tutupnya.
4. Pilih bobot makanan sebagai berikut, maka waktu dan daya akan mengikuti setelan standar secara otomatis sebagai berikut:

Bobot (g)	waktu	daya
100	2:00	MED (Sedang)
200	3:30	
300	5:00	

S-5 Nasi (g) --dipanaskan ulang

Isi : beras 200-400g

Langkah:

1. Wadah bawah: isikan air 200 ml ke wadah bawah.
2. Wadah dalam: nasi matang yang akan dipanaskan ulang.
3. Letakkan wadah dalam di wadah bawah dan kunci tutupnya.
4. Pilih bobot makanan sebagai berikut, maka waktu dan daya akan mengikuti setelan standar secara otomatis sebagai berikut:

Bobot (g)	waktu	daya
200	3:00	HI (Tinggi)
300	4:00	
400	5:00	

- Catatan:
1. Mengukus hanya dapat dilakukan menggunakan *steam pot* (panci kukus).
 2. Menu yang ditetapkan di sini hanya akan berubah bila oven di-*reset* atau aliran listrik ke oven diputuskan.

Mengaktifkan Fungsi Kunci Pengaman Anak:

Kunci ini mencegah operasi oleh anak-anak tanpa pengawasan.

- Untuk mengatur kunci pengaman anak. Dalam moda siaga, tekan tombol STOP/ CLEAR selama 3 detik, lalu suatu nada peringatan akan berbunyi. Dalam status terkunci, oven tidak dapat dioperasikan.
- Untuk membatalkan kunci pengaman anak: Tekan tombol STOP /CLEAR selama 3 detik, lalu nada peringatan akan berbunyi, dan oven dapat dioperasikan.

Mekanisme Perlindungan Otomatis

Perlindungan terhadap Temperatur Tinggi: Saat masuk ke status perlindungan terhadap temperatur super tinggi, sistem akan membunyikan nada peringatan dan menampilkan "E01" hingga pengguna menekan tombol CANCEL (BATAL) untuk kembali ke kondisi normal. Bukalah pintu oven untuk mendinginkan ruang oven atau telepon layanan konsumen untuk melakukan pemeriksaan.

Perlindungan terhadap Temperatur Rendah: Saat masuk ke status perlindungan terhadap temperatur rendah, sistem akan membunyikan nada peringatan dan menampilkan "E02" hingga pengguna menekan tombol STOP untuk kembali ke kondisi normal. Hubungilah layanan konsumen untuk melakukan pemeriksaan.

Perlindungan terhadap Masalah Sensor: Bila sensor mengalami hubung singkat, sistem akan masuk ke moda perlindungan dan nada peringatan berbunyi, layar menampilkan "E03" hingga pengguna menekan tombol STOP untuk kembali ke kondisi normal. Harap hubungi layanan konsumen untuk melakukan pemeriksaan dan mengganti sensor yang bermasalah.

Menu Otomatis (Auto Menu)

Waktu memasak dan tingkat daya tidak perlu diprogram.

1. Sentuh tombol AUTO MENU satu kali.
2. Atur kenop putar untuk memilih kode menu.
3. Sentuh tombol WEIGHT (BOBOT).
4. Atur kenop putar untuk memilih bobot atau jumlah makanan.
5. Sentuh tombol START.

Menu *auto cook* (memasak otomatis)

Kode	Menu	Catatan:
A-1	Ayam Grill (g)	<ul style="list-style-type: none">• Untuk menu A-1 hingga A-4 dan A-11 selama memasak, sistem akan berhenti sesaat dan membunyikan nada peringatan untuk mengingatkan pengguna agar membalikkan makanan agar matang merata, kemudian tutup pintu oven dan tekan tombol START untuk melanjutkan.• Hasil dari program memasak otomatis tergantung pada faktor-faktor seperti fluktuasi tegangan, bentuk dan ukuran makanan, preferensi pribadi seperti kematangan makanan tertentu dan seberapa baik susunan makanan dalam oven. Bila anda menemukan hasilnya pada tingkat daya berapapun tidak memuaskan, atur ulang waktu memasak dengan mengubahnya sedikit demi sedikit.• Menu yang ditetapkan di sini hanya akan berubah bila oven di-reset atau aliran listrik ke oven diputuskan.• Menu A-8 untuk masak nasi, menggunakan steam pot. Cara penggunaan lihat pada buku paduan steam pot.
A-2	Panggang daging sapi /kambing * (g)	
A-3	Daging babi panggang (g)	
A-4	Ikan Bakar (g)	
A-5	Kentang Bakar (230 g/ per buah)	
A-6	Pizza Beku (g)	
A-7	Pasta (g)	
A-8	Nasi (g)	
A-9	Congee/Bubur (g)	
A-10	Kue (475 g)	
A-11	Roti panggang (potong)	
A-12	Popcorn (100 g)	
A-13	Dim Sum (pemanasan ulang) (g)	
A-14	Minuman* (200 ml/ per porsi)	

Spesifikasi

Model	EMS3085X	EMS3087X
Konsumsi Listrik	Lihat label oven	Lihat label oven
Daya keluaran	900W	900W
Frekuensi Operasi	2450 MHz	2450 MHz
Dimensi Luar	538 mm (P) x 436 mm (L) x 294 mm (T)	538 mm (P) x 436 mm (L) x 294 mm (T)
Dimensi Ruang Oven	354 mm (P) x 358 mm (L) x 240 mm (T)	354 mm (P) x 358 mm (L) x 240 mm (T)
Kapasitas Oven	30 Liter	30 Liter
Keseragaman Kematangan	Sistem Tadah Putar (<i>Turntable</i>)	Sistem Tadah Putar (<i>Turntable</i>)
Berat Bersih	Sekitar 17 kg	Sekitar 18,3 kg

Isi Kemasan

1. Oven *Microwave* *1
2. Manual bagi Pengguna*1
3. Rak Logam*1
4. Tadah Putar (*Turntable*) Kaca*1
5. Cincin Beroda (*Roller Ring*)*1
6. Set *steam pot* (panci kukus) *1 (opsional)

RoHS Compliant.

Informasi mengenai Lingkungan Hidup

Bila pada saat apapun di masa mendatang produk ini akan dibuang, JANGAN membuang produk ini bersama limbah rumah tangga. Harap kirimkan produk ini ke titik pengumpulan sampah peralatan listrik dan elektronik bila tersedia. Produk ini memenuhi aturan RoHS.

Pembersihan dan Perawatan

1. Matikan oven dan cabut stekernya dari stopkontak saat oven dibersihkan.
2. Jagalah selalu kebersihan bagia dalam oven. Bila cipratan makanan atau tumpahan cairan menempel pada dinding oven, laplah menggunakan lap lembab. Detergen lembut dapat digunakan bila oven sangat kotor. Hindarkan menggunakan pembersih semprot atau menggunakan zat keras. Zat tersebut dapat menodai, menimbulkan bercak, atau menghilangkan kilap permukaan pintu.
3. Bagian luar oven harus dibersihkan dengan lap lembab. Untuk mencegah kerusakan pada komponen di dalam oven, hindarkan air masuk ke lubang-lubang ventilasi.
4. Laplah pintu dan jendela pada kedua sisinya (dalam dan luar), sil pintu, dan komponen-komponen di sekitarnya dengan lap lembab untuk menyingkirkan tumpahan atau cipratan apapun. Jangan menggunakan zat pembersih abrasif.
5. Hindarkan panel kontrol dari kondisi basah. Bersihkan dengan lap lembut dan lembab. Saat membersihkan panel kontrol, biarkan pintu oven tetap terbuka untuk mencegah oven menyala secara tidak sengaja.
6. Bila timbul uap di dalam atau di sekitar pintu oven, laplah dengan lap lembut. Hal ini dapat terjadi bila oven *microwave* dioperasikan dalam kondisi kelembaban tinggi. Hal tersebut adalah normal.
7. Baki kaca sekali-sekali perlu dilepas untuk dibersihkan. Cucilah baki tersebut dalam air hangat yang diberi zat pembersih atau dalam mesin pencuci piring.
8. Cincin beroda (*roller ring*) dan lantai oven harus dibersihkan secara berkala untuk menghindari suara bising. Cukup lap permukaan bawah oven dengan detergen lembut. *Roller ring* dapat dicuci dengan air sabun lembut atau dalam mesin pencuci piring. Saat melepaskan *roller ring*, pastikan untuk memasangnya kembali pada posisi semestinya.
9. Singkirkan bau tidak diinginkan dari oven anda dengan mencampurkan secangkir air dengan jus dan kulit dari sebuah jeruk dalam mangkuk yang dapat digunakan pada oven *microwave*. Operasikan oven *microwave* selama 5 menit. Lap hingga tuntas dan keringkan dengan lap lembut.
10. Bila lampu oven padam, hubungi layanan konsumen untuk menggantinya.
11. Oven harus dibersihkan secara berkala dan endapan makanan apapun harus disingkirkan. Tidak terpeliharanya kondisi bersih oven dapat menyebabkan penurunan kualitas permukaan dalam oven yang dapat memberi pengaruh buruk pada usia oven dan dapat menyebabkan situasi berbahaya.
12. Jangan membuang oven ini ke tempat pembuangan sampah rumah tangga. Oven hendaknya dibuang ke pusat pembuangan sampah khusus yang disediakan pemerintah kota.
13. Saat fungsi *grill oven microwave* pertama kali digunakan, dapat timbul asap dan bau. Hal ini adalah fenomena normal, karena oven terbuat dari plat logam yang dilapisi minyak pelumas, dan oven baru akan menghasilkan asap dan bau yang timbul dari minyak pelumas yang terbakar. Fenomena ini akan hilang setelah beberapa waktu oven digunakan.

Pusat Layanan Pelanggan

<p>Thailand Telepon Pusat Layanan: (+66 2) 725 9000 Electrolux Thailand Co.,Ltd. Electrolux Building 14th Floor 1910 New Petchburi Road, Bangkapi,Huay Kwang, Bangkok 10310 Telepon Kantor: (+66 2) 7259100 Faks Kantor: (+66 2) 7259299 Email: customercaresin@electrolux.com</p>	<p>Singapore CONSUMER CARE HOTLINE : (+65) 6727 3699 Electrolux S.E.A. Pte Ltd. 1 Fusionopolis Place, #07-10 Galaxis, West Lobby Singapore 138522. Office Fax : (+65) 67273611 Email : customer-care.sin@electrolux.com</p>
<p>Indonesia Tel: (+62 21) 522 7100 PT. Electrolux Indonesia Gedung Plaza Kuningan Menara Utara 2nd Floor, Suite 201, Jl. HR Rasuna Said kav C11 -14, Karet Setiabudi Jakarta Selatan 12940 Telepon Kantor: (+62 21) 522 7099 Faks Kantor: (+62 21) 522 7097 Email: customercare@electrolux.co.id</p>	<p>Philippines Telepon Bebas Biaya Domestik : 1-800-10-845-care 2273 Customer Care Hotline : (+63 2) 845 care 2273 Electrolux Philippines, Inc. 10th Floor, W5th Avenue Building 5th Avenue Corner 32 nd Street Bonifacio Global City, Taguig Philippines 1634 Telepon: +63 2 737- 4756 Website: www.electrolux.com.ph Email: wecare@electrolux.com</p>
<p>Vietnam Telepon Bebas Biaya Domestik : 1800-58-88-99 Tel: (+84 8) 3910 5465 Electrolux Vietnam Ltd. Floor 9th, A&B Tower 76 Le Lai Street - Ben Thanh Ward - District 1 Ho Chi Minh City, Vietnam Telepon Kantor: (+84 8) 3910 5465 Faks Kantor : (+84 8) 3910 5470 Email: vncare@electrolux.com</p>	<p>Malaysia Domestic Toll Free: 1300-88-11-22 Electrolux Home Appliances Sdn. Bhd. Corporate Office Address: 7th Floor, Tower 2, Jaya 33, No. 3 Jalan Semangat, Seksyen 13, 46100 Petaling Jaya, Selangor. Corporate Office Tel: (+60 3) 7843 5999 Corporate Office Fax: (+60 3) 7955 5511 Consumer Care Center Address: Lot C6, No. 28, Jalan 15/22, Taman Perindustrian Tiong Nam, 40200 Shah Alam, Selangor Consumer Care Center Tel:(+60 3) 5525 0800 Consumer Care Center Fax:(+60 3) 5524 2521 Email: malaysia.customercare@electrolux.com</p>
<p>Hongkong Telepon: (+852) 8203 0298 Dah Chong Hong, Ltd. - Service Centre 8/F., Yee Lim Godown Block C 2-20 Kwai Lok Street, Kwai Chung, N.T. Hong Kong</p>	

www.electrolux.com

Inovator Desain yang Penuh Perhitungan

Ingatkah anda saat terakhir anda membuka suatu hadiah yang menyebabkan anda berkata, " Oh! Bagaimana anda tahu? Memang ini yang saya inginkan!" Perasaan seperti itulah yang dicari oleh kami di Electrolux untuk ditimbulkan pada setiap orang yang memilih atau menggunakan salah satu produk kami. Kami mendedikasikan waktu, pengetahuan, dan sejumlah besar pemikiran untuk mengantisipasi dan menciptakan jenis peralatan yang benar-benar diperlukan dan diinginkan para pelanggan kami.

Kepedulian penuh pemikiran seperti ini berarti berinovasi dengan wawasan. Bukan desain untuk sekadar desain, namun desain untuk kepentingan pengguna. Bagi kami, desain penuh pemikiran berarti membuat alat lebih mudah digunakan bagi kami dan tugas-tugas lebih menyenangkan untuk dilaksanakan, membebaskan para konsumen kami untuk merasakan kemewahan puncak abad 21: ketenangan pikiran. Tujuan kami adalah agar ketenangan pikiran ini makin tersedia bagi lebih banyak orang di berbagai kegiatan hidupnya, di seluruh dunia.

Janji "*Thinking of you*" dari Electrolux lebih dari sekadar memenuhi kebutuhan pelanggan kami saat ini. Janji tersebut juga berarti kami berkomitmen menjadikan peralatan lebih aman bagi lingkungan - saat ini dan di masa mendatang.

Electrolux. Thinking of you.

Temukan lebih banyak pemikiran kami di
www.electrolux.com

目录

避免暴露于过量微波能量的防范措施	3
重要安全说明	3
安装指南	6
无线电干扰	7
在致电寻求援助服务之前应做事项	7
烹饪器皿指南	8

EMS3085X

产品示意图	9
控制面板	10
使用说明	11
自动菜单	16

EMS3087X

产品示意图	17
控制面板	18
使用说明	19
自动菜单	25

规格参数	26
清洁与维护	27
客户服务中心	28

避免暴露于过量微波能量的防范措施

1. 不要试图在微波炉炉门打开的情况下操作微波炉，因为在炉门打开的情况下操作微波炉会导致人体暴露于微波能量中。需要注意的是，不得随意拨动安全联锁装置。
2. 不得在微波炉正前方与炉门之间放置任何物品，不得让沙土或清洁剂残留物累积在封条表层。
3. 如果微波炉已损坏，则不可再操作使用。尤为重要，微波炉门必须关好，并确保下列部件无任何损坏：
 - a) 炉门（包括凹陷部分）。
 - b) 铰链与栓销（损坏或松脱）。
 - c) 门封与封条表层。
4. 本微波炉只可由合格专业服务人员进行修理或调整。

重要安全说明

在使用电器时，应当遵循基本的安全注意事项，其中包括：

警告！-为避免烧伤、触电、火灾、人身伤害或暴露于过量微波能量中：

1. 在使用电器之前，请阅读所有说明文件。
2. 本电器只可用于说明书中规定的用途。不得在此电器中使用任何腐蚀性化学物品或蒸汽。本微波炉专为家庭加热与烹调食物而设计。不适用于其他工业或实验室用途。
3. 炉内无食物时，切勿操作本微波炉。
4. 如果微波炉的线路或插头损坏、或微波炉不能正常工作、或已经损坏或曾掉落，不得操作本微波炉。如果电源线路发生损坏，则必须由制造厂商或维修服务代理或类似的专业人员进行更换，以避免危害的发生。
5. **警告！**-当微波炉的工作模式为组合模式时，由于温度已经升高，在无成人监管的情况下，儿童不得使用本微波炉。
6. **警告！**-只有在充分向儿童提供指导，并确保儿童能够安全使用微波炉，并明白不当操作会产生危害的情况下，才允许儿童在无监管的情况下使用微波炉。
7. 为降低炉腔着火的风险：
 - 当加热盛放在塑料或纸质容器中的食物时，要时时检查微波炉，以防起火。
 - 在将食物袋放入微波炉之前，应先除去纸袋或塑料袋上的扎线。
 - 如果发现微波炉冒烟，应关闭电源或拔下电器插头，保持炉门关闭，以熄灭火焰。
 - 切勿在微波炉内存放物品。当不使用微波炉时，不得将纸质产品、烹调器皿或食物存放在炉腔内。

8. **警告！**一液体或其他食物不得在密封器皿内加热，因为在加热时可能会发生爆炸。
9. 用微波炉加热饮料罐头时，会导致随后打开发生喷出滚热液体的情况，所以在打开罐头时要格外小心。
10. 不得在微波炉中煎炸食物。热油会损坏零部件与餐具，甚至会导致皮肤灼伤。
11. 不得在微波炉中加热带壳鸡蛋或煮熟的鸡蛋，因为经过微波加热后，鸡蛋会发生爆破。
12. 对于皮厚且硬的食物，如：土豆、整个南瓜、苹果与栗子，在烹调之前应先刺几个小孔。
13. 在喂食前，奶瓶与婴儿食品罐内的食物应经过搅拌或摇动，并检查瓶内温度，以避免烫伤。
14. 加热后食品的温度可能将热量传递至烹调餐具。因此，从微波炉内取出食物与器皿时，应使用隔热垫。
15. 在微波炉中加热食物时，应先检查餐具是否适合在微波炉中使用。
16. **警告！**-非专业受训人员，不得进行任何维修操作，因为维修时卸下微波炉盖将可能会暴露于微波能量中。
17. 本产品属于2组B类ISM设备。2组定义是指会产生射频能量，且以电磁辐射的形式用于处理材料与电火花腐蚀设备的所有ISM（工业、科学与医疗）设备。而B类设备是指适用于民用设施且设施直接连接低电压电网（为民用住宅供电）的设备。
18. 身体残疾、知觉与精神障碍人士（包括儿童）、或缺乏经验及知识者不适于使用本电器，除非他们已经接受过负责其安全人员的监管与指导。
19. 请小心看管儿童，以确保他们不会把本电器当作玩具。
20. 微波炉只能在单独的线路上使用。
21. **警告！**-微波炉不得安装在离炉灶面或其他发热设备很近的区域，否则可能损坏电器且保修服务将会失效。
22. 在微波炉使用过程中，可触及的表面可能会很热。
23. 微波炉不得放置在橱柜中。
24. 当电器工作时，炉门或外表面可能会变热。
25. 当电器工作时，可触及表面的温度可能会很高。
26. 电器应靠墙放置。

27. **警告!** -如果炉门或炉门封条发生损坏, 那么只能由专业人士修理好之后方可使用。
28. 不得通过外部计时器或单独的远程遥控系统, 操作本电器。
29. 本微波炉仅限于家庭用途, 非商业用途。
30. 不得移除微波炉后方与侧面的支撑物, 因为其确保了微波炉与墙壁之间保持最小距离, 以保证空气流通。
31. 在移动微波炉之前, 应先固定好旋转工作台, 以防止损坏。
32. **注意!** -非专业人士对微波炉进行维修与维护是非常危险的, 因为在维修与维护过程中, 微波炉盖可能会卸下, 那么维修人员将可能会暴露于微波射线中。上述规定同样适用于微波炉内电线或照明。在这种情况下, 请将微波炉送至我们的维修服务中心。
33. 微波炉只可用于解冻、烹调与蒸煮食物。
34. 从微波炉中取出加热后的食物时, 应使用隔热手套。
35. **注意!** 当打开盖子或保鲜膜时, 蒸汽会散出。
36. 只有在充分向8岁以上的儿童以及身体残疾人士、精神或智力障碍人士、或缺乏经验及知识者提供指导, 并确保他们能够安全使用微波炉, 并明白不当操作会产生危害的情况下, 才允许他们在无监管的情况下使用微波炉。儿童不得把本电器当作玩具。儿童不得对本电器进行清洁与维护, 除非其年满8岁以上且在成人监管下方可进行清洁与维护。
37. 如果微波炉冒烟, 应立即关闭电源或拔下插头, 保持炉门关闭, 以熄灭火焰。
38. 禁止在任何烹调模式下 对没有去壳的整只鸡蛋进行任何方式的烹调。

安装指南

1. 请把炉内的包装物全部取出。
2. **警告!** -检查微波炉是否存在任何损坏之处, 如: 炉门不正或弯曲、门封或封条表层损坏、门铰链与栓销损坏、或炉门或炉腔有凹陷。如果存在任何损坏之处, 不得操作微波炉, 应立即与专业合格维修服务人员联系。
3. 微波炉必须放置于平稳台面上, 以支撑其重量以及可能在炉内烹调食物的重量。
4. 不可将微波炉放置于高温、潮湿或靠近易燃材料之处。
5. 为保证微波炉正常操作, 应将微波炉放置于空气流通之处。在微波炉上方20厘米, 后部10厘米以及侧面5厘米处, 不可放置任何物件。不得覆盖或堵塞微波炉的开口位置。不得移除微波炉支脚。
6. 如果玻璃转盘、滚动支座与轴不在正确的位置, 切勿操作本微波炉。
7. 确保电源线无任何损坏, 且电源线不得穿过微波炉下方或任何热表面或尖锐表面。
8. 插座应处于方便操作的地方, 这样, 在紧急情况下, 能快速将插头拔除。
9. 不得在户外使用微波炉。

接地说明

本电器必须接地。本微波炉备有一条接地线的接地插头。它必须插在正确安装接地的插座上。一旦发生电流短路, 接地装置将为外洩电流提供排电电线, 这样可减低发生触电的风险。建议为本微波炉提供独立的电路。使用高电压是非常危险的事, 而且可能导致火灾或其他造成微波炉损坏的意外事件。

警告! -错误使用接地插头会导致发生触电的风险。

备注:

1. 若您对接地或电器说明存在任何疑问, 请咨询合格的电工或维修服务人员。
2. 对于因不遵守电路连接规程所造成的微波炉损坏或个人损伤, 厂商或代理无需负任何责任。

电缆颜色符合以下规定:

绿色与黄色 = 接地

蓝色 = 零线

灰色 = 火线

无线电干扰

本电器必须接地。本微波炉备有一条接地线的接地插头。它必须插在正确安装接地的插座上。一旦发生电流短路，接地装置将为外洩电流提供排电电线，这样可减低发生触电的风险。建议为本微波炉提供独立的电路。使用高电压是非常危险的事，而且可能导致火灾或其他造成微波炉损坏的意外事件。

警告！-错误使用接地插头会导致发生触电的风险。

备注：

1. 若您对接地或电器说明存在任何疑问，请咨询合格的电工或维修服务人员。
2. 对于因不遵守电路连接规程所造成的微波炉损坏或个人损伤，厂商或代理无需负任何责任。

电缆颜色符合以下规定：
绿色与黄色 = 接地
蓝色 = 零线
灰色 = 火线

本微波炉在操作时可能会对您的收音机、电视机及类似的电器造成干扰。一旦发生干扰情况，可采取下列措施减少或消除有关干扰：

1. 清洁炉门和封条表层。
2. 重新调整收音机或电视机的接收天线。
3. 根据接收器重新摆放微波炉的位置。
4. 将微波炉搬至远离接收器之处。
5. 将微波炉插头插至不同的插座，以使微波炉和接收器分别连接在不同的支路中。

无线电干扰

在致电寻求援助服务之前应做事项

在致电寻求援助服务之前，应检查的项目包括：

- 微波炉的插头是否插妥。若未插好，先把插头拔离插座，待 10 秒钟后，再稳定插妥。
- 检查电路保险丝是否烧坏，或主要电路保险断路是否有跳开，若这些看起来都操作正常，则需使用其他工具检查插座。
- 检查控制面板的程控是否正确，计时器是否设置。
- 检查炉门是否关好，并开启门锁系统。如果炉门没有关闭，那么微波能量将无法流入炉内。

若上述所有措施不能修复微波炉，那么应联系合格专业技术人员。切勿擅自进行调整或修理。

烹饪方法

1. 将食物小心排列，较厚部分应朝盘外摆放。
2. 注意烹调时间。尽量选择最短的烹调时间，若不足可延长时间。食物严重过度烹调会造成冒烟或着火危险。
3. 烹调食物时应盖上盖子。加盖可防止食物喷溅，而且食物更均匀熟透。
4. 在用微波烹调时翻转食物，能使食物更快熟透，如鸡肉和汉堡包。体积较大的烤肉则须至少翻转一次。
5. 肉丸等食物在烹调至一半时，宜重新对换位置，如上下对调，中间部分则与旁边对换。

烹饪器皿指南

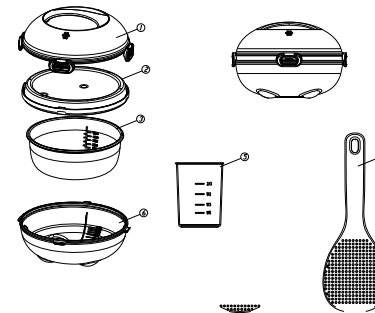
1. 最理想的微波炉器皿材料应可透射微波，使能量穿透器皿，加热器皿中的食物。
2. 微波无法穿透金属，因此不宜使用金属器皿或金属饰边的餐具。
3. 切勿使用再生纸制品进行微波烹调，因为它们含细微的金属碎片，可能引致火花和/或着火燃烧。
4. 与四方形或长方形相比，圆形与椭圆形餐具更适合微波炉使用，因为在角落的食物通常会过熟。
5. 可用宽度较小的铝箔铺盖食物，以防止外露的食物过熟。但必须注意，不可使用过量，同时在铝箔和炉腔之间保持至少 1 寸（2.54 厘米）的距离。

下表所列内容将有助于您选择正确的微波炉用餐具。

器皿	微波	烧烤	对流	组合*
耐热玻璃	可以	可以	可以	可以
不耐热玻璃	不可以	不可以	不可以	不可以
耐热陶瓷	可以	可以	可以	可以
微波专用塑料盘	可以	不可以	不可以	不可以
厨房用纸	可以	不可以	不可以	不可以
金属托盘	不可以	可以	可以	不可以
金属架	不可以	可以	可以	不可以
铝箔与铝箔器皿	不可以	可以	可以	不可以
蒸锅	可以	不可以	不可以	不可以

组合：适用于“微波+烧烤”以及“微波+对流”烹饪模式。

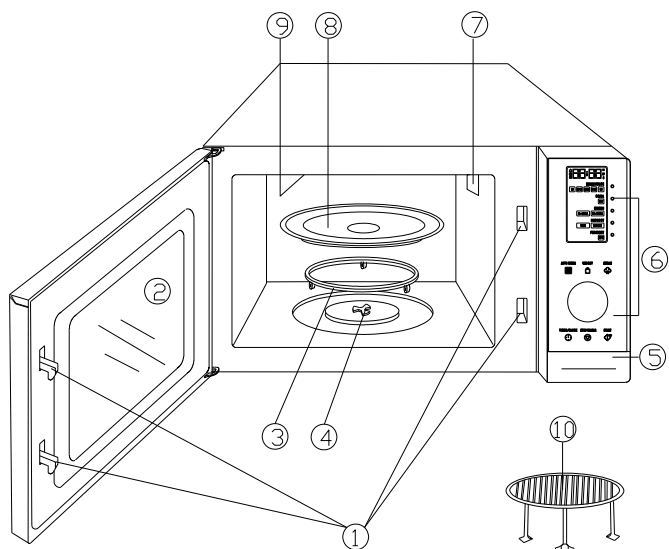
配件（可选）



1. 盖子
2. 盘子
3. 内锅
4. 不沾饭勺
5. 量杯
6. 底锅

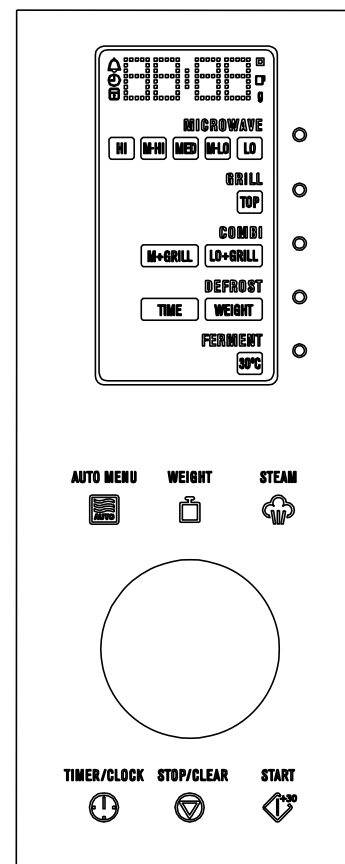
产品示意图

EMS3085X



- ① 炉门安全连锁系统
- ② 炉窗
- ③ 转台支撑环
- ④ 转轴
- ⑤ 炉门开关按钮
- ⑥ 控制面板
- ⑦ 波导 (不得卸下覆盖波导的云母板)
- ⑧ 玻璃转台
- ⑨ 烧烤加热器
- ⑩ 金属支架

控制面板



显示

用于显示烹饪时间、电源、指示与时钟时间。

微波

用于选择微波火力级别。

组合

用于选择微波与对流组合烹饪温度。

烧烤

用于设置烧烤烹饪程序。

解冻

用于设置时间或重量解冻程序。

发酵

用于设置发酵程序。

自动菜单

用于设置自动菜单烹饪程序。

重量

用于设置食物重量。

蒸煮

用于设置蒸煮菜单烹饪程序。

停止/清除

用于暂停烹饪、取消所有设置或设置儿童安全锁。

计时器/时钟

用于设置微波炉时钟与厨房计时器。

刻度盘

用于设置时间或选择食物重量。

开始

用于启动微波炉或设置快速启动程序。

使用说明

- 在烹饪过程中，如果按下“停止/清除”按钮一次，或打开炉门，那么程序将暂停，然后需要按下开始按钮继续，但是如果按下“停止/清除”按钮两次，那么程序将取消。
- 在烹饪结束之后，系统将发出“哔哔”声，每两分钟提醒用户一次，直至用户按下“停止/清除”按钮，或打开炉门。

设置时钟

本款微波炉的时钟为24小时制。在烹饪期间，可以通过按下计时器/时钟面板两次，查看当前时间。

- 按下计时器/时钟按钮两次。
- 转动刻度盘，设置小时数字。
- 按下计时器/时钟按钮进行确认。
- 转动刻度盘，设置分钟数字。
- 再次按下计时器/时钟按钮进行确认。

设置厨房计时器

您可以设置微波炉计时器，提醒您烹饪时间。可以设置的最长烹饪时间为95分钟。

如果您想要将厨房计时器设置为30分钟：那么应采取下列步骤：

- 按下计时器/时钟按钮一次。
- 转动数字刻度盘，设置为30:00。
- 按下开始按钮，进行确认。

- 注：**
- 如果您遗漏了步骤2，那么计时器将从0:00开始计时，直至95:00。
 - 当计时器开始计时，您可按下计时器/时钟按钮，查看计时器上的计时数字。
 - 当设置计时器为待机模式，那么显示面板上将显示计时器，而且您可设置烹饪程序。
如果按下“停止/清除”按钮一次，那么计时将暂停，可以通过按下开始按钮继续，但是如果按下“停止/清除”按钮两次，那么计时将取消。在烹饪期间，可以取消计时器。

微波烹饪

- 重复按下微波按钮，选择微波火力级别。

火力级别	100%	80%	60%	40%	20%
显示	高火	中高火	中火	中低火	低火

- 转动刻度盘，进行烹饪时间设置。可以设置的最长烹饪时间为95分钟。
- 按下开始按钮。

注：在重新设置或切断电源之前，无论何时按下“微波”按钮，火力等级都将保持不变。

烧烤烹饪模式

烧烤烹饪模式专用于烹饪薄肉片、牛排、排骨、肉串、香肠，以及鸡块。最长的烹饪时间为95分钟。

- 按下烧烤按钮一次。
- 转动刻度盘，设置烹饪时间。
- 按下开始按钮。

烧烤 + 微波烹饪模式

此模式下的最长烹饪时间为95分钟。

如果您想要设置的组合烹饪时间为25分钟，那么应采取下列步骤：

- 打开炉门，将食物放到微波炉内，关上微波炉。
- 按下组合按钮一次或两次。

按下组合按钮	组合	烹饪时间	
		微波	烧烤
一次	中火+烧烤	30%	70%
两次	低火+烧烤	55%	45%

- 转动刻度盘，设定烹饪时间为25:00。
- 按下开始按钮启动微波炉。

快速启动

在待机状态下，连续按下开始按钮，设置烹饪时间，可以设置的最长烹饪时间为95分钟，然后微波炉将自动以100%高火等级启动。

多级烹饪

第一级	解冻 / 微波烹饪 / 烧烤烹饪 / 蒸煮菜单/微波+烧烤烹饪
第二级	微波烹饪 / 烧烤烹饪 / 蒸煮菜单/ 微波+烧烤烹饪

- 设置第一级烹饪程序。不要按下开始按钮。
- 设置第二级烹饪程序。
- 按下开始按钮。

注：在重新设置或切断电源之前，您在此处设置的火力等级将保持不变。

时间解冻

最长解冻时间为95分钟。

1. 连续按下解冻按钮，选择时间解冻模式。
2. 通过转动刻度盘，设定需要的解冻时间。
3. 按下开始按钮。

注：当解冻时间过去三分之二后，系统将暂停并发出鸣响，以提醒用户打开食品盖，然后关闭炉门并按开始按钮继续。

重量解冻

一旦选择重量解冻模式，那么微波炉将自动调整解冻时间与火力级别。微波炉内可接受的冷冻食品重量范围为100克至1000克。

1. 连续按下解冻按钮，选择时间或重量解冻模式。
2. 转动刻度盘，设置食物重量。
3. 按下开始按钮，启动微波炉。

注：在解冻程序启动期间，系统将暂停工作，并发出“哗哗”声，提醒用户将食物正反面调动，然后再次按下开始按钮继续解冻。

注：在重新设置或切断电源之前，您在此处设置的解冻方法将保持不变。

发酵

本微波炉能帮助您快速简易发酵食物。默认工作温度设置为30°C。

1. 将食物放入较大的带盖容器内，然后放入微波炉。
2. 按下发酵按钮一次。
3. 转动刻度盘，输入所需发酵时间（建议为60分钟至90分钟）
4. 按下开始按钮。

蒸煮菜单（只能使用蒸锅附件）

1. 按下蒸煮按钮一次。
2. 转动刻度盘，选择蒸煮菜单模式。
3. 按下重量按钮。
4. 转动刻度盘，选择食物重量或数量。
5. 按下开始按钮。

蒸煮菜单：

模式	菜单	模式	菜单
S-1	蒸鱼 (g)	S-4	蒸点心 - 重新加热 (g)
S-2	蒸蔬菜 (g)	S-5	蒸大米 - 重新加热 (g)
S-3	蒸蛋 (份)		

S-1 蒸鱼 (g)

原料：鱼200g-400g

步骤：

1. 底锅：将200ml水加入到底盘内。
2. 内锅：将腌制好的鱼放入锅内。
3. 将内锅放入到底锅中，并锁好盖子。
4. 按照下表选择重量，然后微波炉将根据下表内容自动设定烹饪时间与火力大小。

重量 (g)	时间	火力
200	6:00	中高火
300	8:00	
400	10:00	

S-2 蒸蔬菜 (g)

原料：蔬菜200g-400g

步骤：

1. 底锅：将200ml水加入到底盘内。
2. 内锅：将蔬菜洗净并放入锅内。
3. 将内锅放入到底锅中，并锁好盖子。
4. 按照下表选择重量，然后微波炉将根据下表内容自动设定烹饪时间与火力大小。

重量 (g)	时间	火力
200	6:00	高火
300	7:00	
400	8:00	

S-3 蒸蛋 (份)

原料：2个鸡蛋

步骤：

1. 底锅：将200ml水加入到底盘内。
2. 内锅：将去壳后的鸡蛋放入锅内，加入200ml水和少许盐，并将鸡蛋混合物搅拌均匀。
3. 将内锅放入到底锅中，并锁好盖子。
4. 按照下表选择重量，然后微波炉将根据下表内容自动设定烹饪时间与火力大小。

重量 (份)	时间	火力
1	7:00	中火

S-4 蒸点心 (g) - 重新加热

原料: 点心

步骤:

1. 底锅: 将200ml水加入到底盘内。
2. 内锅: 将点心放入锅内。
3. 将内锅放入到底锅中, 并锁好盖子。
4. 按照下表选择重量, 然后微波炉将根据下表内容自动设定烹饪时间与火力大小。

重量 (g)	时间	火力
100	2:00	中火
200	3:30	
300	5:00	

S-5 蒸大米 (g) - 重新加热

原料: 大米 200-400g

步骤:

1. 底锅: 将200ml水加入到底盘内。
2. 内锅: 需要再加热的煮熟大米。
3. 将内锅放入到底锅中, 并锁好盖子。
4. 按照下表选择重量, 然后微波炉将根据下表内容自动设定烹饪时间与火力大小。

重量 (g)	时间	火力
200	3:00	高火
300	4:00	
400	5:00	

- 注:**
1. 蒸煮烹饪时必须使用蒸锅。
 2. 在重新设置或切断电源之前, 您在此处设置的菜单将保持不变。

设置儿童安全锁

儿童安全锁可以防止儿童在无人监管的情况下操作微波炉。

- 设置儿童安全锁: 在待机模式下, 按下“停止/清除”按钮3秒钟, 然后微波炉会发出“哔哔”声。在锁定状态下, 不可以操作微波炉。
- 取消儿童安全锁: 按下“停止/清除”按钮3秒钟, 然后微波炉会发出“哔哔”声, 这时就可以操作微波炉了。

自动菜单

不需要设定烹饪时间与火力级别。

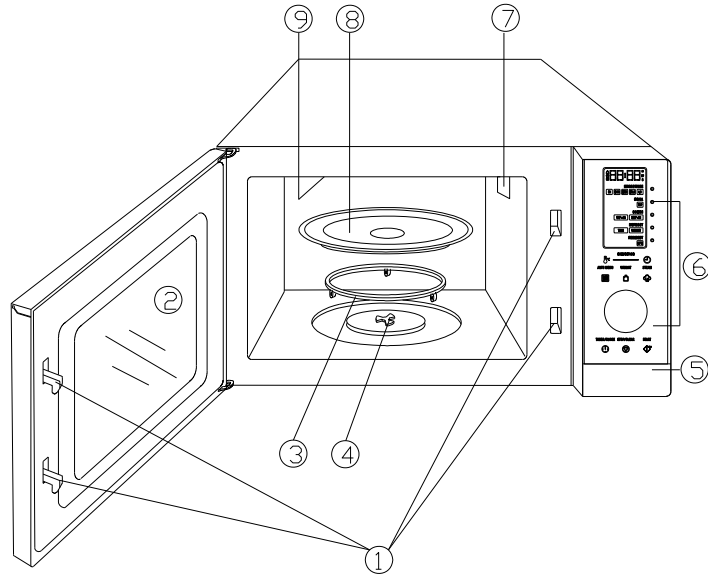
1. 按下自动菜单按钮一次。
2. 转动刻度盘, 选择菜单类型。
3. 按下重量按钮。
4. 转动刻度盘, 选择食物重量与数量。
5. 按下开始按钮。

自动烹饪菜单:

模式	菜单	
A-1	烤鸡 (g)	注: • 对于菜单中所列的A-1至A-4以及A-9模式下, 在烹饪期间, 系统将自动暂停, 并发出“哔哔”声, 提醒用户翻转食物, 以均匀加热, 然后关闭炉门, 按下开始按钮, 继续烹饪。
A-2	烤牛肉/羊肉 (g)	
A-3	烤猪肉 (g)	
A-4	烤鱼 (g)	
A-5	烤土豆 (230g/个)	• 自动烹饪模式的成果如何取决于下列因素: 电压波动情况、食物形状与尺寸、您个人对食物煮熟度的偏好、以及您将食物放入微波炉的方式。如果您发现无论如何都达不到满意的烹饪成果, 请逐步一点点地调整烹饪时间。
A-6	意大利面 (g)	
A-7	大米 (g)	
A-8	粥/糊 (g)	
A-9	烤面包 (条)	
A-10	爆米花 (100g)	• 在重新设置或切断电源之前, 您在此处设置的菜单将保持不变。
A-11	点心 (重新加热) (g)	
A-12	饮料 (200ml/次)	

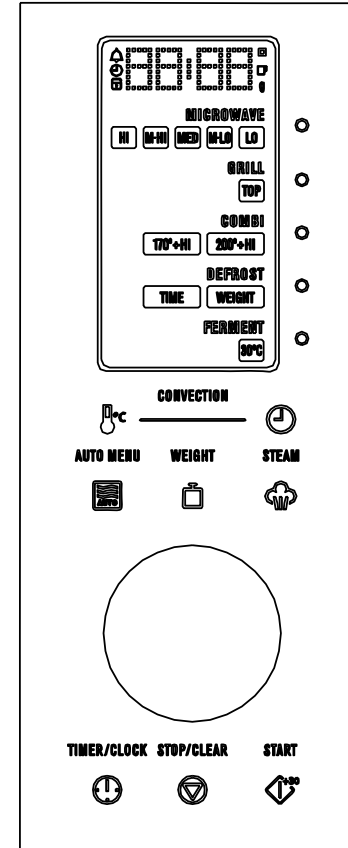
产品示意图

EMS3087X



- ① 炉门安全连锁系统
- ② 炉窗
- ③ 转台支撑环
- ④ 转轴
- ⑤ 炉门开关按钮
- ⑥ 控制面板
- ⑦ 波导 (不得卸下覆盖波导的云母板)
- ⑧ 玻璃转台
- ⑨ 烧烤加热器
- ⑩ 金属支架

控制面板



- **显示**
用于显示烹饪时间、电源、指示与时钟时间。
- **微波**
用于选择微波火力级别。
- **组合**
用于选择微波与对流组合烹饪温度。
- **烧烤**
用于设置烧烤烹饪程序。
- **解冻**
用于设置时间或重量解冻程序。
- **发酵**
用于设置发酵程序。
- **自动菜单**
用于设置自动菜单烹饪程序。
- **对流**
用于设置对流模式烹饪温度与时间。
- **重量**
用于设置食物重量。
- **蒸煮**
用于设置蒸煮菜单烹饪程序。
- **停止/清除**
用于暂停烹饪、取消所有设置或设置儿童安全锁。
- **计时器/时钟**
用于设置微波炉时钟与厨房计时器。
- **刻度盘**
用于设置时间或选择食物重量。
- **开始**
用于启动微波炉或设置快速启动程序。

使用说明

- 在烹饪过程中，如果按下“停止/清除”按钮一次，或打开炉门，那么程序将暂停，然后需要按下开始按钮继续，但是如果按下“停止/清除”按钮两次，那么程序将取消。
- 在烹饪结束之后，系统将发出“哔哔”声，每两分钟提醒用户一次，直至用户按下“停止/清除”按钮，或打开炉门。

设置时钟

本款微波炉的时钟为24小时制。在烹饪期间，可以通过按下计时器/时钟按钮两次，查看当前时间。

- 按下计时器/时钟按钮两次。
- 转动刻度盘，设置小时数字。
- 按下计时器/时钟按钮进行确认。
- 转动刻度盘，设置分钟数字。
- 再次按下计时器/时钟按钮进行确认。

设置厨房计时器

您可以设置微波炉计时器，提醒您烹饪时间。可以设置的最长烹饪时间为95分钟。如果您想要将厨房计时器设置为30分钟，那么应采取下列步骤：

- 按下计时器/时钟按钮一次。
- 转动数字刻度盘，设置为30:00。
- 按下开始按钮，进行确认。

注：1. 如果您遗漏了步骤2，那么计时器将从0:00开始计时，直至95:00。
2. 当计时器开始计时，您可按下计时器/时钟按钮，查看计时器上的计时数字。
3. 当设置计时器为待机模式，那么显示面板上将显示计时器，而且您可设置烹饪程序。
如果按下“停止/清除”按钮一次，那么计时将暂停，可以通过按下开始按钮继续，但是如果按下“停止/清除”按钮两次，那么计时将取消。在烹饪期间，可以取消计时器。

微波烹饪

- 重复按下微波按钮，选择微波火力级别。

火力级别	100%	80%	60%	40%	20%
显示	高火	中高火	中火	中低火	低火

- 转动刻度盘，进行烹调时间设置。可以设置的最长烹饪时间为95分钟。
- 按下开始按钮。

注：在重新设置或切断电源之前，您在此处设置的火力等级将保持不变。

烧烤烹饪模式


烧烤烹饪模式专用于烹饪薄片、牛排、排骨、肉串、香肠，以及鸡块。最长的烹饪时间为95分钟。

- 按下烧烤按钮一次。
- 转动刻度盘，设置烹饪时间。
- 按下开始按钮。



快速启动

在待机状态下，连续按下开始按钮，设置烹饪时间，可以设置的最长烹饪时间为95分钟，然后微波炉将自动以100%高火等级启动。

对流烹饪


在对流烹饪期间，热空气会在炉腔内循环，这样能够快速、均匀地焙烤食物。本款微波炉备有十个不同档位的烹饪温度级别，介于110° C至200° C之间。最长的烹饪时间为95分钟。在烹饪期间，可以通过按下  按钮，查看炉内温度。

对流烹饪步骤：

- 按下  按钮一次，转动刻度盘，选择并设定需要的温度。
- 按下  按钮一次。
- 转动刻度盘，输入烹饪时间。
- 按下开始按钮。

以对流模式进行预热与烹饪：

这款微波炉可以设定程序，实现预热与对流烹饪组合工作模式。

- 按下  按钮一次。
- 转动刻度盘，选择并设定需要的温度。
- 按下开始按钮。当微波炉达到了程序设定的温度，将会发出“哔哔”声。
- 打开炉门，将装有食物的容器放置在转台中心位置。
- 转动刻度盘，输入烹饪时间。
- 按下开始按钮。

注：最长的自动再次加热时间为30分钟，无法设定预热时间。当炉内温度达到预热温度后，还将继续保温30分钟。如果您在30分钟内没有打开炉门，系统将自动停止工作。

微波 + 对流烹饪模式

本微波炉备有两档不同的组合烹饪温度：170°C + 高火与200°C + 高火。

1. 连续按下“组合”按钮，选择需要的组合温度。
2. 转动刻度盘，输入烹饪时间。最长烹饪时间为95分钟。
3. 按下开始按钮。

注：在重新设置或切断电源之前，您在此处设置的火力等级将保持不变。

多级烹饪

第一级	解冻 / 微波烹饪 / 烧烤烹饪 / 蒸煮菜单/微波+烧烤烹饪
第二级	微波烹饪 / 烧烤烹饪 / 蒸煮菜单/ 微波+烧烤烹饪

1. 设置第一级烹饪程序。不要按下开始按钮。
2. 设置第二级烹饪程序。
3. 按下开始按钮。

时间解冻

最长解冻时间为95分钟。

1. 连续按下解冻按钮，选择时间解冻模式。
2. 通过转动刻度盘，设定需要的解冻时间。
3. 按下开始按钮。

注：当解冻时间过去三分之二后，系统将暂停并发出鸣响，以提醒用户打开食品盖，然后关闭炉门并按开始按钮继续。

重量解冻

一旦选择重量解冻模式，那么微波炉将自动调整解冻时间与火力级别。微波炉内可接受的冷冻食品重量范围为100克至1000克。

1. 连续按下解冻按钮，选择重量解冻模式。
2. 转动刻度盘，设置食物重量。
3. 按下开始按钮，启动微波炉。

注：在解冻程序启动期间，系统将暂停工作，并发出“哔哔”声，提醒用户将食物正反面调动，然后再次按下开始按钮继续解冻。

注：在重新设置或切断电源之前，您在此处设置的解冻方法将保持不变。

发酵

本微波炉能帮助您快速简易发酵食物。默认工作温度设置为30°C。

1. 将食物放入较大的带盖容器内，然后放入微波炉。
2. 按下发酵按钮一次。
3. 转动刻度盘，输入所需发酵时间（建议为60-95分钟）
4. 按下开始按钮。

蒸煮菜单（只能使用蒸锅附件）

1. 按下蒸煮按钮一次。
2. 转动刻度盘，选择蒸煮菜单模式。
3. 按下重量按钮。
4. 转动刻度盘，选择食物重量或数量。
5. 按下开始按钮。

蒸煮菜单：

模式	菜单	模式	菜单
S-1	蒸鱼 (g)	S-4	蒸点心 - 重新加热 (g)
S-2	蒸蔬菜 (g)	S-5	蒸大米 - 重新加热 (g)
S-3	蒸蛋 (份)		

S-1 蒸鱼 (g)

原料：鱼200g-400g

步骤：

1. 底锅：将200ml水加入到底盘内。
2. 内锅：将腌制好的鱼放入锅内。
3. 将内锅放入到底锅中，并锁好盖子。
4. 按照下表选择重量，然后微波炉将根据下表内容自动设定烹饪时间与火力大小。

重量 (g)	时间	火力
200	6:00	中高火
300	8:00	
400	10:00	

S-2 蒸蔬菜 (g)

原料：蔬菜200g-400g

步骤：

1. 底锅：将200ml水加入到底盘内。
2. 内锅：将蔬菜洗净并放入锅内。
3. 将内锅放入到底锅中，并锁好盖子。
4. 按照下表选择重量，然后微波炉将根据下表内容自动设定烹饪时间与火力大小。

重量 (g)	时间	火力
200	6:00	高火
300	7:00	
400	8:00	

S-3 蒸蛋 (份)

原料: 2个鸡蛋

步骤:

1. 底锅: 将200ml水加入到底盘内。
2. 内锅: 将去壳后的鸡蛋放入锅内, 加入200ml水和少许盐, 并将鸡蛋混合物搅拌均匀。
3. 将内锅放入到底锅中, 并锁好盖子。
4. 按照下表选择重量, 然后微波炉将根据下表内容自动设定烹饪时间与火力大小。

重量 (份)	时间	火力
1	7:00	中火

S-4 蒸点心 (g) -重新加热

原料: 点心

步骤:

1. 底锅: 将200ml水加入到底盘内。
2. 内锅: 将点心放入锅内。
3. 将内锅放入到底锅中, 并锁好盖子。
4. 按照下表选择重量, 然后微波炉将根据下表内容自动设定烹饪时间与火力大小。

重量 (g)	时间	火力
100	2:00	中火
200	3:30	
300	5:00	

S-5 蒸大米 (g) - 重新加热

原料: 大米 200-400g

步骤:

1. 底锅: 将200ml水加入到底盘内。
2. 内锅: 需要再加热的煮熟大米。
3. 将内锅放入到底锅中, 并锁好盖子。
4. 按照下表选择重量, 然后微波炉将根据下表内容自动设定烹饪时间与火力大小。

重量 (g)	时间	火力
200	3:00	高火
300	4:00	
400	5:00	

- 注: 1、蒸煮烹饪时必须使用蒸锅。
2、在重新设置或切断电源之前, 您在此处设置的菜单将保持不变。

设置儿童安全锁

儿童安全锁可以防止儿童在无人监管的情况下操作微波炉。

- 设置儿童安全锁: 在待机模式下, 按下“停止/清除”按钮3秒钟, 然后微波炉会发出“哔哔”声。在锁定状态下, 不可以操作微波炉。
- 取消儿童安全锁: 按下“停止/清除”按钮3秒钟, 然后微波炉会发出“哔哔”声, 这时就可以操作微波炉了。

自动保护机制

高温保护: 当系统进入超高温保护模式时, 系统会发出“哔哔”声, 并且显示板上会显示“E01”字样, 直至用户按下“停止/清除”按钮, 将系统返回正常模式。这时, 应打开炉门, 冷却炉腔或致电客户服务人员进行检查。

低温保护: 当系统进入超低温保护模式时, 系统会发出“哔哔”声, 并且显示板上会显示“E02”字样, 直至用户按下“停止/清除”按钮, 将系统返回正常模式。这时, 应致电客户服务人员进行检查。

传感器故障保护: 当传感器发生短路时, 系统将进入自动保护模式, 并发出“哔哔”声, 同时显示板上会显示“E03”字样, 直至用户按下“停止/清除”按钮, 将系统返回到正常模式。这时, 应致电客户服务人员进行检查并更换发生故障的传感器。

自动菜单

不需要设定烹饪时间与火力级别。

1. 按下自动菜单按钮一次。
2. 转动刻度盘，选择菜单类型。
3. 按下重量按钮。
4. 转动刻度盘，选择食物重量与数量。
5. 按下开始按钮。

自动烹饪菜单：

模式	菜单	
A-1	烤鸡 (g)	注 • 对于菜单中所列的A-1至A-4与A-11模式下，在烹饪期间，系统将自动暂停，并发出“哔哔”声，提醒用户翻转食物，以均匀加热，然后关闭炉门，按下开始按钮，继续烹饪。 • 自动烹饪模式的成果如何取决于下列因素：电压波动情况、食物形状与尺寸、您个人对食物煮熟度的偏好、以及您将食物放入微波炉的方式。如果您发现无论如何都达不到满意的烹饪成果，请逐步一点点地调整烹饪时间。 • 在重新设置或切断电源之前，您在此处设置的菜单将保持不变。
A-2	烤牛肉/羊肉 (g)	
A-3	烤猪肉 (g)	
A-4	烤鱼 (g)	
A-5	烤土豆 (230g/个)	
A-6	速冻披萨	
A-7	意大利面 (g)	
A-8	大米 (g)	
A-9	粥/糊 (g)	
A-10	蛋糕 (475g)	
A-11	烤面包 (条)	
A-12	爆米花 (100g)	
A-13	点心 (重新加热) (g)	
A-14	饮料 (200ml/次)	

规格参数

型号	EMS3085X	EMS3087X
功耗	参见铭牌	参见铭牌
输出功率	900W	900W
工作频率	2450MHz	2450MHz
外形尺寸	538毫米(宽)x436毫米(厚)x294毫米(高)	538毫米(宽)x436毫米(厚)x294毫米(高)
炉腔尺寸	354毫米(宽)x358毫米(厚)x240毫米(高)	354毫米(宽)x358毫米(厚)x240毫米(高)
炉内容量	30公升	30公升
烹饪均匀度	转台系统	转台系统
净重	约为17.0kg	约为18.3kg

装箱单

1. 微波炉*1
2. 使用说明书*1
3. 金属架*1
4. 玻璃转台*1
5. 转台支撑环*1
6. 蒸锅组*1 (可选)

符合ROHS

环保信息

在将来的任何时候，如果您需要处置该产品，请勿随生活垃圾一起处置。请将该产品送至适当的回收点。本产品符合RoHS标准。

清洁与维护

1. 在清洗炉腔之前，应关闭微波炉，并从插座上拔除电源线插头。
2. 经常保持炉腔内部清洁。当食物或汤水溅到炉内壁时，可用湿布擦去。如炉内壁非常脏，则可使用温和洗洁剂擦洗。切勿使用粗糙、磨损性的清洁用具，它可能导致炉门表层被染色、刮花或变得无光泽。
3. 微波炉外表面应用湿布擦拭。注意不要让水渗入炉缝或通风口，以免损坏炉内零件。
4. 对于炉门和炉窗内外两侧、门封和附件部分，必须经常使用湿布擦拭干净，不可用粗糙且磨损性的清洁用具。
5. 切勿弄湿控制面板。可用软的干抹布擦拭。在清洁控制面板时，请将炉门打开，以免意外启动微波炉。
6. 如果炉内外有蒸气凝聚成的水滴，可用软布擦净。这是微波炉在湿度较大的条件下工作所致，属正常情况。
7. 必须经常取下玻璃转台进行清洁。可用温热的肥皂水或洗碗机清洗。
8. 必须经常擦洗转台支撑环和炉腔底面，以减低吵杂音。请用温和洗洁剂清洗炉腔底面，而转台支撑环则可用温热的肥皂水或洗碗机清洗，而且清洗后应抹干放回原位。
9. 炉内如有异味，可用一杯水外加柠檬汁和皮微波蒸煮 5 分钟，即可消除。然后需用软布抹干。
10. 如果炉内灯泡烧坏，那么应联系客户服务中心，进行更换。
11. 应定期清洗微波炉，并取出微波炉内存放的食物。如果不能保证微波炉的清洁，那么将导致微波炉表面发生损伤，进而会影响微波炉的使用寿命，而可能会导致危害情况的发生。
12. 不得将微波炉扔入民用垃圾箱；应送至市政府提供的垃圾处理中心进行处置。
13. 对于具备烧烤功能的微波炉，在首次使用时，可能会产生轻微冒烟与异味。这属于正常现象。微波炉是由钢板制成，钢板上涂有润滑油，因而对于新微波炉，润滑油的燃烧会产生冒烟与异味现象。在使用一段时间后，上述现象会消失。

客户服务中心

泰国

电话: (+66 2) 725 9000
泰国 Electrolux 有限公司
14th Floor, 1910 New Petchburi Road
Bangkapi, Huay Kwang
Bangkok 10320

越南

免费电话: 1800-58-88-99
电话: (+84 8) 3910 5465
越南 Electrolux 有限公司
AB Tower, 9th Floor
76 Le Lai Street, District 1
Ho Chi Minh City

印度尼西亚

电话: (+62 21) 522 7180
印度尼西亚 Electrolux 公司
Plaza Kuningan
Menara Utara Suite 201
Jl. HR. Rasuna Said Kav. C11-14
Jakarta 12940
Depdag No. 1.43.E17.00401.0911

菲律宾

国内免费电话: 1-800-10-845-转 2273
客户服务热线: (+63 2) 845 转 2273
10th Floor, W5th Avenue Building
5th Avenue Corner 32nd Street
Bonifacio Global City,
Taguig Philippines 1634
Trunkline: +63 2 737- 4756

新加坡

电话: (+65) 6727 3699
传真: (+65) 6727 3611
e-mail: customer-care.sin@electrolux.com
Electrolux S.E.A私人有限公司
1 Fusionopolis Place,
#07-10 Galaxis, West Lobby
Singapore 138522.

马来西亚

Corporate Office Address: 7th Floor, Tower 2, Jaya 33, No. 3 Jalan Semangat, Seksyen 13, 46100 Petaling Jaya, Selangor.
Corporate Office Tel: (+60 3) 7843 5999
Corporate Office Fax: (+60 3) 7955 5511
国内免费电话: 1300-88-11-22
电话: (+60 3) 5525 0800
传真: (+60 3) 5524 2521
e-mail: malaysia.customer@electrolux.com
Electrolux 家用电器有限公司
Lot C6, No. 28, Jalan 15/22, Taman Perindustrian
Tiong Nam, 40200 Shah Alam, Selangor

www.electrolux.com

贴心的设计创新者

您是否还记得上一次打开礼物后惊呼：“哇！你怎么知道我就是想要这个？”那就是伊莱克斯的设计师想要唤醒所有选择或使用我们产品的人心里的感受。我们投入了大量的时间与专长并且费尽心思设想，就是为了要创造出顾客真正需要且想要的产品。

这种考虑周详的关心也同样意味着眼光独到的创新。我们不是为了设计而设计，而是为了使用者而设计。对我们而言，体贴入微的设计就是制造出使用更方便、乐趣更多的产品，让使用者自在地享受21世纪最奢华、最随心所欲的操作体验。我们的目标是把这种随心所欲的自在感传达给更多人，让它遍布在日常生活中的更多角落，更要传遍全世界。

“为您着想”是伊莱克斯的承诺，不仅仅是满足当今客户的需求。同时，我们还致力于制造符合环境安全的电器产品，为当代与下一代创造美好未来。

伊莱克斯，为您着想！

更多信息，请访问 www.electrolux.com