



Thinking of you
Electrolux



EMM2308X,EMM2318X

.....
EN Free-standing Microwave Oven

TH เตาไมโครเวฟ ชนิดตั้งโต๊ะ

VI Lò Vi Sóng

ID Oven Gelombang Mikro Berdiri Bebas

CN 独立式微波炉

.....
instruction manual

คู่มือการใช้งาน

hướng dẫn sử dụng

buku petunjuk

使用说明书



CONTENTS

Before using your microwave oven _____	3
Important safety information _____	3
Installation _____	5
Utensils guide _____	6
Setting up your oven _____	8
Operation _____	9
Troubleshooting _____	11
Technical data _____	12
Customer care center _____	13


IMPORTANT SAFETY INFORMATION

Before using your microwave oven in order to get the best from your new Electrolux microwave oven, the following instructions have been prepared. Please make sure you read them carefully. It is important that this user manual is retained with the appliance for future reference. Should the appliance be sold or transferred to another owner, or if you move house and leave the appliance, always ensure that the manual is supplied with the appliance or that the new owner can be acquainted with the functioning of the appliance and the relevant warnings. Please ensure you have read the whole user manual before using the appliance and that you follow the recommendations given.

warning

- Liquids and other foods must not be heated in sealed containers since they are liable to explode.
- It is hazardous for anyone other than a competent person to carry out any service or repair operation that involves the removal of a cover which gives protection against exposure to microwave energy.
- Only allow children to use the oven without supervision when adequate instructions have been given so that the child is able to use the oven in a safe way and understand the hazards of improper use.
- When the appliance is operated in the combination mode, children should only use the oven under adult supervision due to the temperatures generated. (only for grill series)
- Only use utensils suitable for use in microwave ovens.
- The oven should be cleaned regularly and any food deposits should be removed.
- Read and follow the specific: "PRECAUTIONS TO AVOID POSSIBLE EXPOSURE TO EXCESSIVE MICROWAVE ENERGY".
- When heating food in plastic or paper containers, keep an eye on the oven due to the possibility of ignition.
- If smoke is observed, switch off or unplug the appliance and keep the door closed in order to stifle any flames.
- Do not overcook food.
- Do not use the oven cavity for storage purposes. Do not store items, such as bread, cookies, etc. inside the oven.
- Remove wire twist-ties and metal handles from paper or plastic containers/bags before placing them in the oven.
- Install or locate this oven only in accordance with the installation instructions provided.
- Eggs in the shell and whole hard-boiled eggs should not be heated in microwave ovens since they may explode, even after microwave heating has ended.
- Use this appliance only for its intended uses as described in manual. Do not use corrosive chemicals or vapors in this appliance. This oven is especially designed to heat. It is not designed for industrial or laboratory use.
- If the supply cord is damaged, it must be replaced by the manufacturer, its service agent or similarly qualified persons in order to avoid a hazard.
- Do not store or use this appliance outdoors.
- Do not use this oven near water, in a wet basement or near a swimming pool.

- The temperature of accessible surfaces may be high when the appliance is operating. The surfaces are liable to get hot during use. Keep cord away from heated surface, and do not cover any events on the oven.
- Do not let cord hang over edge of table or counter.
- Failure to maintain the oven in a clean condition could lead to deterioration of the surface that could adversely affect the life of the appliance and possibly result in a hazardous situation.
- The contents of feeding bottles and baby food jars shall be stirred or shaken and the temperature checked before consumption, in order to avoid burns.
- Microwave heating of beverages can result in delayed eruptive boiling, therefore care must be taken when handling the container.
- The appliance is not intended for use by persons (including children) with reduced physical, sensory or mental capabilities, or lack of experience and knowledge, unless they have been given supervision or instruction concerning use of the appliance by a person responsible for their safety.
- Children should be supervised to ensure that they do not play with the appliance.
- The appliances are not intended to be operated by means of an external timer or separate remote-control system.
- Accessible parts may become hot during use. Young children should be kept away.
- Steam cleaner is not to be used.
- During use the appliance becomes hot. Care should be taken to avoid touching heating elements inside the oven.
- Only use the temperature probe recommended for this oven. (for ovens provided with a facility to use a temperature-sensing probe.)
- The rear surface of appliance shall be placed against a wall.
- Do not allow anyone other than a qualified service person to carry out any service or repair operation which involve the removal of a cover which gives protection against exposure to microwave energy.
- During use the appliance becomes hot. Care should be taken to avoid touching heating elements inside the oven.
- The appliance and its accessible parts become hot during use. Care should be taken to avoid touching heating elements. Children less than 8 years of age shall be kept away unless continuously supervised
- The microwave oven shall not be placed in a cabinet unless it has been tested in a cabinet.

 **warning**

- Ensure that the appliance is switched off before replacing the lamp to avoid the possibility of electric shock.

 **caution**

If the microwave oven is not maintained in a good state of cleanliness, its surface could become degraded, affecting the lifespan of the microwave oven and its operational safety.

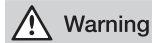
INSTALLATION

Grounding Installation

DANGER

Electric Shock Hazard Touching some of the internal components can cause serious personal injury or death.

Do not disassemble this appliance.



Warning

Electric Shock Hazard Improper use of the grounding can result in electric shock. Do not plug into an outlet until appliance is properly installed and grounded.

This appliance must be grounded. In the event of an electrical short circuit, grounding reduces the risk of electric shock by providing an escape wire for the electric current. This appliance is equipped with a cord having a grounding wire with a grounding plug. The plug must be plugged into an outlet that is properly installed and grounded.

Consult a qualified electrician or serviceman if the grounding instructions are not completely understood or if doubt exists as to whether the appliance is properly grounded. It is necessary to use an extension cord, use only a 3-wire extension cord.

CLEANING

Be sure to unplug the appliance from the power supply.

1. Clean the inside of the oven after using with a slightly damp cloth.
2. Clean the accessories in the usual way in soapy water.
3. The door frame and seal and neighbouring parts must be cleaned carefully with a damp cloth when they are dirty.
4. Do not use harsh abrasive cleaners or sharp metal scrapers to clean the oven door glass since they can scratch the surface, which may result in shattering of the glass.

1. A short power-supply cord is provided to reduce the risks resulting from becoming entangled in or tripping over a longer cord.
2. If a long cord set or extension cord is used:
 - 1) The marked electrical rating of the cord set or extension cord should be at least as great as the electrical rating of the appliance.
 - 2) The extension cord must be a grounding-type 3-wire cord.
 - 3) The long cord should be arranged so that it will not drape over the counter top or tabletop where it can be pulled on by children or tripped over unintentionally.

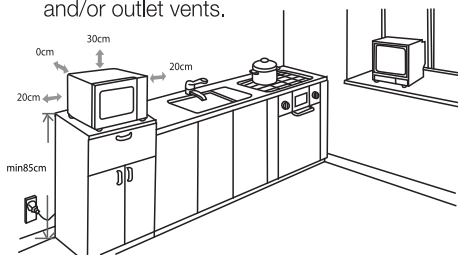
Countertop Installation

Remove all packing material and accessories. Examine the oven for any damage such as dents or broken door. Do not install if oven is damaged.

Cabinet: Remove any protective film found on the microwave oven cabinet surface. Do not remove the light brown Mica cover that is attached to the oven cavity to protect the magnetron.

Installation

1. Select a level surface that provide enough open space for the intake and/or outlet vents.



- (1) The minimum installation height is 85cm.
- (2) The rear surface of appliance shall be placed against a wall. Leave a minimum clearance of 30cm above the oven, a minimum clearance of 20cm is required between the oven and any adjacent walls.
- (3) Do not remove the legs from the bottom of the oven.

- (4) Blocking the intake and/or outlet openings can damage the oven.
- (5) Place the oven as far away from radios and TV as possible. Operation of microwave oven may cause interference to your radio or TV reception.

2. Plug your oven into a standard house hold outlet. Be sure the voltage and the frequency is the same as the voltage and the frequency on the rating label.

WARNING: Do not install oven over a range cooktop or other heat-producing appliance. If installed near or over a heat source, the oven could be damaged and the warranty would be void.

The accessible surface may be hot during operation.



UTENSILS

See the instructions on "Materials you can use in microwave oven or to be avoided in microwave oven." There may be certain non-metalic utensils that are not safe to use for microwaving. If in doubt, you can test the utensil in question following the procedure below.

Utensil Test:

1. Fill a microwave-safe container with 1 cup of cold water (250ml) along with the utensil in question.
2. Cook on maximum power for 1 minute.
3. Carefully feel the utensil. If the empty utensil is warm, do not use it for microwave cooking.
4. Do not exceed 1 minute cooking time.

Materials you can use in microwave oven

Utensils	Remarks
Aluminum foil	Shielding only. Small smooth pieces can be used to cover thin parts of meat or poultry to prevent overcooking. Arcing can occur if foil is too close to oven walls. The foil should be at least 2.5cm away from oven walls.
Browning dish	Follow manufacturer's instructions. The bottom of browning dish must be at least 5mm above the turntable. Incorrect usage may cause the turntable to break.
Dinnerware	Microwave-safe only. Follow manufacturer's instructions. Do not use cracked or chipped dishes.
Glass jars	Always remove lid. Use only to heat food until just warm. Most glass jars are not heat resistant and may break.
Glassware	Heat-resistant oven glassware only. Make sure there is no metallic trim. Do not use cracked or chipped dishes.
Oven cooking bags	Follow manufacturer's instructions. Do not close with metal tie. Make slits to allow steam to escape.
Paper plates and cups	Use for short-term cooking/warming only. Do not leave oven unattended while cooking.
Paper towels	Use to cover food for reheating and absorbing fat. Use with supervision for a short-term cooking only.
Parchment paper	Use as a cover to prevent splattering or a wrap for steaming.
Plastic	Microwave-safe only. Follow the manufacturer's instructions. Should be labeled "Microwave Safe". Some plastic containers soften, as the food inside gets hot. "Boiling bags" and tightly closed plastic bags should be slit, pierced or vented as directed by package.
Plastic wrap	Microwave-safe only. Use to cover food during cooking to retain moisture. Do not allow plastic wrap to touch food.
Thermometers	Microwave-safe only (meat and candy thermometers).
Wax paper	Use as a cover to prevent splattering and retain moisture.
Aluminum tray	May cause arcing. Transfer food into microwave-safe dish.
Food carton with metal handle	May cause arcing. Transfer food into microwave-safe dish.
Metal or metal-trimmed utensils	Metal shields the food from microwave energy. Metal trim may cause arcing.
Metal twist ties	May cause arcing and could cause a fire in the oven.
Paper bags	May cause a fire in the oven.
Plastic foam	Plastic foam may melt or contaminate the liquid inside when exposed to high temperature.
Wood	Wood will dry out when used in the microwave oven and may split or crack.

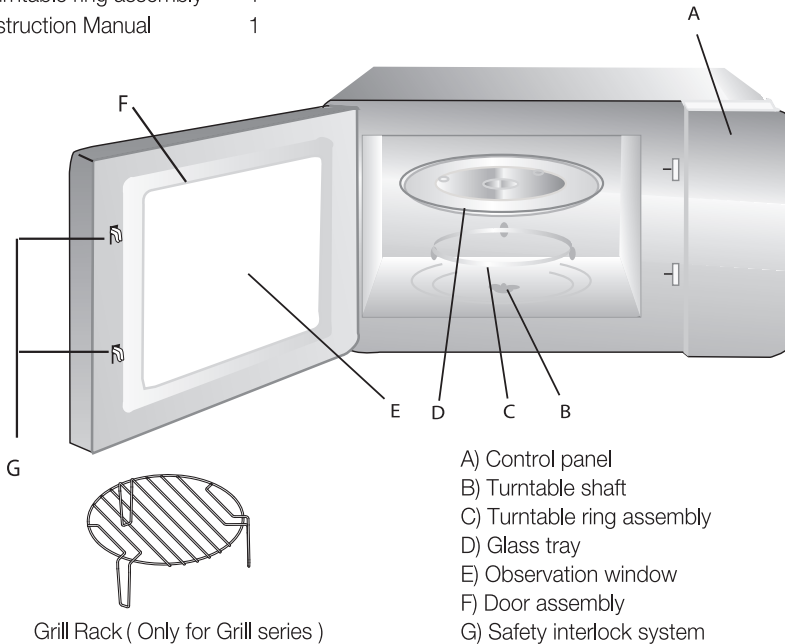
SETTING UP YOUR OVEN

Names of Oven Parts and Accessories

Remove the oven and all materials from the carton and oven cavity.

Your oven comes with the following accessories:

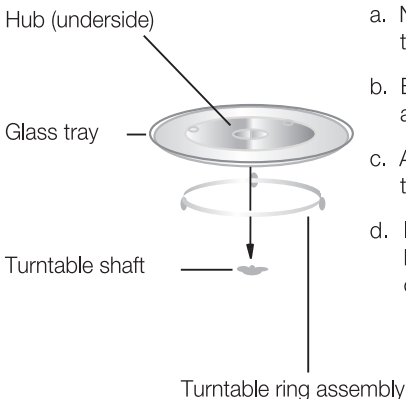
Glass tray	1
Turntable ring assembly	1
Instruction Manual	1



- A) Control panel
- B) Turntable shaft
- C) Turntable ring assembly
- D) Glass tray
- E) Observation window
- F) Door assembly
- G) Safety interlock system

Grill Rack (Only for Grill series)

Turntable Installation

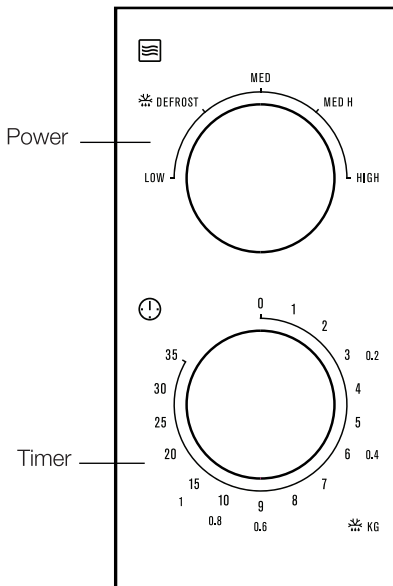


- a. Never place the glass tray upside down. The glass tray should never be restricted.
- b. Both glass tray and turntable ring assembly must always be used during cooking.
- c. All food and containers of food are always placed on the glass tray for cooking.
- d. If glass tray or turntable ring assembly cracks or breaks, contact your nearest authorized service center.

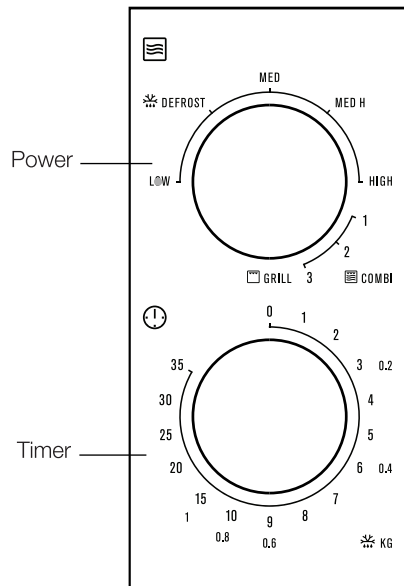
OPERATION

Control Panel and Features Operation Instructions


EMM2308X



EMM2318X



1. To set cooking power by turning the power knob to desired level.
2. To set the time of cooking by turning the timer knob to desired time per your food cooking guide.
3. The microwave oven will automatically start cooking after power level and time are set.
4. After the cooking time is up, the unit will "Dong" to stop.
5. If the unit is not in use, always set time to "0".

Function/Power	Output	Application
Low	150W	Soften ice cream
 (Defrost)	300W	Soup stew, soften butter or defrost
Med.	450W	Stew, fish
Med. High	600W	Rice, fish, chicken, ground meat
High	800W	Reheat, milk, boil water, vegetables, beverage

For Grill Series (EMM2318X)

Function/Power	Output	Application
Combi.1	80% grill 20% micro.	Sausage, Lamb, Kabobs, Seafood, Steak
Combi.2	70% grill 30% micro.	Chicken pieces, Chicken breasts, Pork chops
Combi.3	60% grill 40% micro.	Whole chicken
Grill	100% grill	Baken bread, Slice food

Notice: When removing food from the oven, please ensure that the oven power is switched off by turning the timer switch to 0 (zero). Failure to do so, and operating the microwave oven without food in it, can result in overheating and damage to the magnetron.

Trouble shooting

Normal	
Microwave oven interfering TV reception	Radio and TV reception may be interfered when microwave oven operating. It is similar to the interference of small electrical appliances, like mixer, vacuum cleaner, and electric fan. It is normal.
Dim oven light	In low power microwave cooking, oven light may become dim. It is normal.
Steam accumulating on door, hot air out of vents	In cooking, steam may come out of food. Most will get out from vents. But some may accumulate on cool place like oven door. It is normal.
Oven started accidentally with no food in.	It is forbidden to run the unit without any food inside. It is very dangerous.

Trouble	Possible Cause	Remedy
Oven can not be started.	(1) Power cord not plugged in tightly.	Unplug. Then plug again after 10 seconds.
	(2) Fuse blowing or circuit breaker works.	Replace fuse or reset circuit breaker (repaired by professional personnel of our company)
	(3) Trouble with outlet.	Test outlet with other electrical appliances.
Oven does not heat.	(4) Door not closed well.	Close door well.
Glass turntable makes noise when microwave oven operates	(5) Dirty roller rest and oven bottom.	Refer to "Maintenance of Microwave" to clean dirty parts.

RoHS Environmental Information

Compliant.

If at any time in future you need to dispose of this product please do NOT dispose of this product with household waste. Please send this product to collecting points where available.

This product is RoHS compliant.

TECHNICAL DATA

Model:	EMM2308X	EMM2318X
Rated Voltage:	Please refer to rating label	Please refer to rating label
Rated Input Power (Microwave):	1250W	1250W
Rated Output Power (Microwave):	800W	800W
Rated Input Power (Grill):		1000W
Oven Capacity:	23L	23L
Tumtable Diameter:	∅ 270 mm	∅ 270 mm
External Dimensions:	485x370x292.5mm.	485x370x292.5mm.
Net Weight:	Approx. 13.2 kg	Approx. 13.7 kg

CUSTOMER CARE CENTER

<p>Thailand Tel: (+66 2) 725 9000 Electrolux Thailand Co., Ltd. 14th Floor, 1910 New Petchburi Road Bangkok, Huay Kwang Bangkok 10320</p>	<p>Vietnam Toll Free: 1800-58-88-99 Tel: (+84 8) 3910 5465 Electrolux Vietnam Ltd . AB Tower, 9th Floor 76 Le Lai Street, District 1 Ho Chi Minh City</p>
<p>Indonesia Tel: (+62 21) 522 7180 PT. Electrolux Indonesia Plaza Kuningan Menara Utara Suite 201 Jl. HR. Rasuna Said Kav. C11-14 Jakarta 12940 Depdag No. I.43.EI7.00401.0911</p>	<p>Philippines Domestic Toll Free : 1-800-10-845-care 2273 Customer Care Hotline : (+63 2) 845 care 2273 10th Floor. W5th Avenue Building 5th Avenue Corner 32nd Street Bonifacio Global City, Taguig Philippines 1634 Trunkline: +63 2 737- 4756</p>
<p>Singapore Tel: (+65) 6507 8699 e-mail: customer-care.sin@electrolux.com Electrolux S.E.A Pte. Ltd. 11 Lorong 3 Toa Payoh, Jackson Square Block B, #01-13/14/15 Singapore 319579</p>	<p>Malaysia Toll Free: 1300-88-11-22 Tel: (+60 3) 7843 5999 e-mail: customer.care@electrolux.com.my Electrolux Home Appliances Sdn. Bhd. 7th Floor, Tower 2, Jaya 33, No 3. Jalan Semangat, Seksyen 13, 46100 Petaling Jaya, Selangor</p>

www.electrolux.com

The Thoughtful Design Innovator.

Do you remember the last time you opened a gift that made you say, “Oh! How did you know? That’s exactly what I wanted!” That’s the kind of feeling that we at Electrolux seek to evoke in everyone who chooses or uses one of our products. We devote time, knowledge, and a great deal of thought to anticipating and creating the kind of appliances that our customers really need and want.

This kind of thoughtful care means innovating with insight. Not design for design’s sake, but design for the user’s sake. For us, thoughtful design means making appliances easier to use and tasks more enjoyable to perform, freeing our customers to experience the ultimate 21st century luxury: ease of mind. Our aim is to make this ease of mind more available to more people in more parts of their everyday lives, all over the world.

The “Thinking of you” promise from Electrolux goes beyond meeting the needs of today’s consumers. It also means we’re committed to making appliances safe for the environment—now and for future generations.

Electrolux. Thinking of you.

Share more of our thinking at
www.electrolux.com

สารบัญ

ก่อนการใช้งานเป็นครั้งแรก	3
ข้อแนะนำเพื่อความปลอดภัย	3
การติดตั้ง	5
การเลือกใช้ภาษา	6
การประกอบเครื่อง	8
การใช้งานเดาไมโครเวฟ	9
การแก้ไขปัญหาเบื้องต้น	11
ข้อมูลทางเทคนิค	12
ศูนย์บริการลูกค้า	13

ข้อแนะนำเพื่อความปลอดภัย

โปรดปฏิบัติตามข้อแนะนำเพื่อความปลอดภัยที่อยู่ในคู่มือฉบับนี้เพื่อใช้ประโยชน์จากเตาไมโครเวฟอิเล็กทรอนิกส์เครื่องใหม่ได้อย่างเต็มสมรรถนะ ขอให้เก็บคู่มือฉบับนี้เอาไว้กับเครื่องสำหรับใช้อ้างอิงในอนาคต ในกรณีที่ย้ายต่อหรือส่งต่อให้ผู้อื่น หรือย้ายบ้านแล้วทิ้งเครื่องไว้ ผู้ใช้เครื่องทุกคนควรรู้จักวิธีใช้เครื่องและคำเตือนต่างๆที่เกี่ยวข้องได้อย่างปลอดภัย โปรดอ่านคู่มืออย่างละเอียดก่อนการใช้งานเครื่อง และปฏิบัติตามอย่างเคร่งครัด



คำเตือน

- ห้ามอุ่นของเหลวหรืออาหารในภาชนะที่ปิดสนิท เพราะจะทำให้ระเบิดแตกออกได้
- การดำเนินการบำรุงรักษาใดๆ หรือการซ่อมที่ต้องมีกรถอดฝาครอบสำหรับป้องกันการรั่วไหลของพลังงานไมโครเวฟเป็นเรื่องอันตรายต่อทุกคน ต้องทำโดยบุคลากรผู้ชำนาญงาน
- อนุญาตให้เด็กใช้งานเตาไมโครเวฟโดยลำพังไม่มีการควบคุมดูแลได้ เฉพาะเมื่อได้รับคำแนะนำเพียงพอที่จะใช้เตาไมโครเวฟอย่างปลอดภัย และเข้าใจถึงอันตรายจากการใช้ผิดวิธี
- เมื่อใช้ฟังก์ชันผสม เด็กจะต้องใช้เครื่องโดยมีผู้ใหญ่ดูแล เพราะจะเกิดความร้อนสูง สำหรับรุ่น (ที่มีฟังก์ชันย่างเท่านั้น)
- ให้ใช้ภาชนะสำหรับการใช้งานในเตาไมโครเวฟได้เท่านั้น
- ทำความสะอาดและกำจัดเศษอาหารตกค้างอย่างสม่ำเสมอ
- โปรดอ่านและปฏิบัติตาม: ‘ข้อควรระวังเพื่อป้องกันไม่ให้เกิดไฟไหม้’
- ขณะทำอาหารที่บรรจุในภาชนะพลาสติกหรือกระดาษ ต้องมองในเตาเป็นระยะเพราะอาจเกิดการจุดติดไฟ
- หากสังเกตเห็นควันไฟเกิดขึ้น ให้ปิดสวิตช์หรือถอดปลั๊กออก และยังคงปิดประตูไว้ เพื่อปิดกั้นเปลวไฟ
- ห้ามทำอาหารนานจนเกินไป
- ห้ามใช้ด้านในของเตาไมโครเวฟสำหรับเป็นที่เก็บของ และห้ามเก็บสิ่งของ เช่น ขนมอบึง ลูกกอล์ฟ เป็นต้น ไว้ในเครื่อง
- ถอดลวดมัดปากถุงและด้ามโลหะออกจากภาชนะ/ถุงกระดาษหรือพลาสติก ก่อนใส่เข้าเครื่อง
- ติดตั้งหรือวางเครื่องตามข้อแนะนำการติดตั้งเท่านั้น
- ห้ามใส่ไข่ทั้งเปลือกหรือไข่ต้มที่มีเปลือกในเตาไมโครเวฟ เพราะอาจเกิดการระเบิดได้ แม้ในระหว่างที่ทำอาหารเสร็จแล้ว
- ใช้เครื่องนี้ตามวัตถุประสงค์ที่ระบุไว้ในคู่มือเท่านั้น และห้ามใช้สารเคมีที่มีฤทธิ์ในการกัดกร่อนหรือไอน้ำ นอกจากนี้ เตาชนิดนี้ได้รับการออกแบบมาสำหรับทำความร้อน ไม่ได้ออกแบบมาสำหรับการใช้งานอุตสาหกรรม หรือในห้องทดลอง
- หากสายไฟเกิดชำรุดเสียหาย ควรเปลี่ยนสายไฟใหม่โดยผู้ผลิต ตัวแทน หรือช่างไฟฟ้าที่มีความชำนาญ
- ห้ามเก็บหรือใช้งานเครื่องนอกอาคาร
- ห้ามใช้งานเครื่องใกล้น้ำ บนพื้นเปียก หรือใกล้สระว่ายน้ำ

4 ภาษาไทย

- อาจมีอุณหภูมิสูงบริเวณพื้นผิวเตาไมโครเวฟขณะใช้งาน อย่าให้สายไฟพาดผ่านพื้นผิวส่วนที่ร้อน ควรระวังไม่ให้สิ่งของปิดทับช่องระบายอากาศต่างๆ
- อย่าให้สายไฟพาดผ่านขอบโต๊ะหรือเคาน์เตอร์
- หากเตาไมโครเวฟไม่สะอาดจะทำให้ผิวเตาเสียหาย ลดอายุการใช้งาน และอาจทำให้เกิดอันตรายได้
- คนหรือเข่าอาหารเด็กที่บรรจุในขวดและภาชนะให้ทั่ว และต้องตรวจสอบอุณหภูมิอาหารดังกล่าวก่อนบริโภคเพื่อหลีกเลี่ยงการถูกฉก
- การอุ่นเครื่องดื่มจะมีการเดือดและกระเด็นเกิดขึ้นภายหลัง ควรใช้ความระมัดระวังเมื่อหยิบจับภาชนะออกจากเตา
- เครื่องนี้ไม่ได้รับการออกแบบมาสำหรับการใช้งานของเด็กหรือผู้พิการหรือผู้ที่ไม่มีประสบการณ์และความรู้ จึงควรหลีกเลี่ยงการใช้เครื่องโดยไม่มีผู้ควบคุมดูแลหรือให้คำแนะนำอย่างใกล้ชิดเพื่อความปลอดภัยในการใช้งาน
- ควรดูแลเด็กอย่างใกล้ชิด เพื่อให้แน่ใจว่าจะไม่เล่นเตา
- อุปกรณ์นี้ไม่สามารถใช้งานกับนาฬิกาจับเวลาหรือรีโมทที่ไม่ได้ออกที่ตัวเครื่อง
- พื้นผิวที่สามารถเอื้อมจับได้จะร้อนมากขณะใช้งาน กันเด็กให้อยู่ห่างจากเตา
- ห้ามใช้เครื่องทำความสะอาดไอน้ำร้อน
- เครื่องจะร้อนมากขณะใช้งาน ควรใช้ความระมัดระวังไม่ให้สัมผัสแผงทำความร้อนในเตา
- ใช้อุปกรณ์วัดอุณหภูมิอาหารที่แนะนำสำหรับใช้กับเครื่องนี้เท่านั้น สำหรับรุ่นที่ใช้อุปกรณ์วัดอุณหภูมิ (อาหารได้)
- วางเครื่องโดยให้ด้านหลังเครื่องอยู่บริเวณกำแพง
- การดำเนินการบำรุงรักษาใดๆ หรือการซ่อมที่ต้องมีการถอดฝาครอบสำหรับป้องกันการรั่วไหลของพลังงานไมโครเวฟเป็นเรื่องอันตรายต่อทุกคน ต้องทำโดยบุคลากรผู้ชำนาญงาน
- เครื่องจะร้อนมากขณะใช้งาน ควรใช้ความระมัดระวังไม่ให้สัมผัสแผงทำความร้อนในเตา
- ตัวเครื่องและพื้นผิวที่สามารถเอื้อมจับได้จะร้อนมากขณะใช้งาน ควรใช้ความระมัดระวังไม่ให้สัมผัสแผงทำความร้อน ควรกันเด็กที่มีอายุต่ำกว่า 8 ปีให้ห่างจากเครื่อง นอกจากนี้มีผู้ดูแลอย่างใกล้ชิด
- ห้ามติดตั้งเครื่องไว้ในตู้ นอกจากผ่านการทดสอบสำหรับติดตั้งในตู้เรียบร้อยแล้ว



คำเตือน

- ปิดสวิตช์เครื่องก่อนเปลี่ยนหลอดไฟ เพื่อป้องกันไฟฟ้าช็อต



ข้อควรระวัง

หากเตาไมโครเวฟไม่สะอาดจะทำให้ผิวเตาเสียหาย ลดอายุการใช้งาน และอาจทำให้เกิดอันตรายได้

การติดตั้ง

การต่อสายดิน

อันตรายจากไฟฟ้าช็อต

การสัมผัสชิ้นส่วนอิเล็กทรอนิกส์ภายในเครื่องบางชิ้น อาจทำให้เกิดบาดเจ็บร้ายแรงหรือเสียชีวิตได้ ห้ามถอดชิ้นส่วนเตาไมโครเวฟ



คำเตือน

อันตรายจากไฟฟ้าช็อต

การต่อสายดิน ไม่ถูกวิธีทำให้เกิดไฟฟ้าช็อตได้ ห้ามเสียบปลั๊กเครื่องเข้ากับเต้าจ่ายไฟ จนกว่าจะติดตั้งเครื่องและต่อสายดินเรียบร้อยแล้ว

การทำความสะอาด

ถอดปลั๊กออกจากเต้าจ่ายไฟก่อนทำความสะอาดทุกครั้ง

1. ใช้ผ้าชุบน้ำบิดหมาดๆ เช็ดด้านในเตาทุกครั้ง หลังใช้งาน
2. ทำความสะอาดอุปกรณ์เสริมด้วยน้ำสบู่
3. ทำความสะอาดกรอบประตู ซิลิโคนประตู และชิ้นส่วนใกล้เคียงด้วยความระมัดระวัง ด้วยผ้าชุบน้ำบิดหมาดๆ เมื่อสกปรก
4. ห้ามทำความสะอาดประตูกระจกด้วยน้ำยาทำความสะอาดที่มีฤทธิ์กัดกร่อน หรือที่ขูดโลหะที่แหลมคม เพราะอาจทำให้ผิวประตูเป็นรอย ซึ่งอาจส่งผลให้กระจกแตกได้

อุปกรณ์นี้ต้องต่อสายดินเสมอ ในกรณีที่เกิดไฟฟ้าลัดวงจร สายดินจะช่วยลดความเสี่ยงจากไฟฟ้าช็อต เพราะจะนำกระแสไฟฟ้าลงสู่ดิน สายไฟของเครื่องนี้มีสายดิน และมาพร้อมปลั๊กที่ติดตั้งสายดิน ต้องเสียบปลั๊กเครื่องเข้ากับเต้าจ่ายไฟที่ติดตั้งและต่อสายดินเรียบร้อยแล้ว

โปรดติดต่อช่างไฟหรือศูนย์บริการอิเล็กทรอนิกส์ หากมีข้อสงสัยเกี่ยวกับข้อแนะนำการต่อสายดิน หรือหากไม่แน่ใจว่าต่อสายดินเรียบร้อยแล้วหรือไม่ หากต้องใช้สายไฟสำหรับต่อพ่วง ให้ต่อสายดินด้วย

1. เครื่องรุ่นนี้มาพร้อมกับสายไฟเส้น เพื่อป้องกันอันตรายจากสายไฟพันกัน หรือสะดุดสายไฟ
2. หากเปลี่ยนไปใช้สายไฟยาวหรือสายไฟต่อพ่วง:
 - 1) กระแสไฟฟ้าของสายไฟใหม่หรือสายไฟต่อพ่วงอย่างน้อยต้องเท่ากับกระแสไฟฟ้าของเครื่อง
 - 2) สายไฟต่อพ่วง ต้องต่อสายดินด้วย
 - 3) วางสายไฟยาวไม่ให้พาดเคาน์เตอร์หรือโต๊ะที่เด็กสามารถคว้าได้ หรืออาจสะดุดล้มได้

6 ภาษาไทย

การติดตั้งเครื่องบนผิวครัว

ถอดบรรจุภัณฑ์และอุปกรณ์เสริมออกจนหมด

ตรวจสอบว่าเตาไม่ชำรุดเสียหาย เช่น รอยบุบ หรือ

รอยแตกที่ประตู ห้ามติดตั้งเครื่องที่ชำรุด

เสียหาย

ตัวเครื่อง: ถอดแผ่นกันรอยรอบๆเครื่องออก

จนหมด

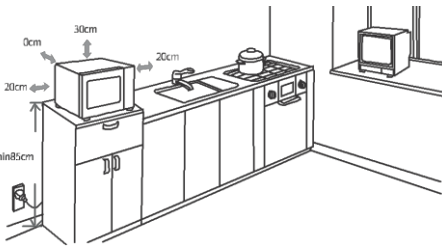
ห้ามถอดฝาครอบ Mica สีน้ำตาลอ่อนที่ติดอยู่

กับโครงเครื่อง ซึ่งใช้สำหรับป้องกันแมกนีตรอน

การติดตั้ง

1. ติดตั้งเครื่องบนพื้นเรียบ และมีพื้นที่ว่างสำหรับ

ช่องดูดอากาศและ/หรือช่องระบายอากาศ



(1) ระดับความสูงขั้นต่ำ 85 ซม.

(2) แผงด้านหลังจะร้อนขณะใช้งาน ให้วางด้านหลังเครื่องไว้ฝั่งหนึ่ง เว้นระยะห่างขั้นต่ำเหนือเครื่อง 30 ซม. และ 20 ซม. ระหว่างเครื่องกับผนังติดกัน

(3) ห้ามถอดขาตั้งออกจากใต้เครื่อง

(4) ห้ามปิดทับช่องดูดอากาศและ/หรือช่องระบาย

อากาศ เพราะจะทำให้เครื่องเสียหายได้

(5) วางเครื่องให้ห่างจากวิทยุและโทรทัศน์มากที่สุด

การใช้งานไมโครเวฟอาจรบกวนสัญญาณวิทยุหรือโทรทัศน์ได้

2. เช็กลูกปลั๊กเครื่องเข้ากับเต้าจ่ายไฟที่ได้มาตรฐาน

เช็คว่าระบบไฟในบ้านตรงกับกำลังไฟของเครื่องที่ระบุไว้บนแผ่นป้ายแสดงกำลังไฟของเครื่อง

คำเตือน: ห้ามติดตั้งเครื่องบนผิวครัวที่ไม่ได้

มาตรฐาน โกลด์หรือบนเครื่องใช้ไฟฟ้าที่ทำให้เกิด

ความร้อน เพราะจะทำให้เครื่องเสียหายได้ และไม่

อยู่ในเงื่อนไขการรับประกัน

พื้นผิวที่สามารถเอี๊ยมจับได้

จะร้อนมากขณะใช้งาน



การเลือกใช้ภาชนะ

คู่มือแนะนำ “ภาชนะที่ปลอดภัยและไม่ปลอดภัย

สำหรับใช้ในเตาไมโครเวฟ” ภาชนะที่ไม่มีโลหะ

บางชนิดไม่สามารถใช้กับไมโครเวฟได้ หากมีข้อ

สงสัย ให้ทำการทดสอบภาชนะดังนี้

การทดสอบภาชนะ:

การทดสอบภาชนะ:

1. เติมน้ำเย็น 1 ถ้วย (250 มล.) ในภาชนะที่ใช้กับเตาไมโครเวฟได้ ใส่เข้าเตาพร้อมภาชนะเปล่าที่สงสัย

2. ตั้งเวลาเตา 1 นาที ด้วยความร้อนสูงสุด

3. ค่อยๆสัมผัสภาชนะเปล่า ถ้าภาชนะอุ่นก็ไม่ควรใช้ภาชนะนี้ในเตา

4. สามารถใช้อุ่นอาหารได้ไม่เกิน 1 นาที

ภาชนะที่ปลอดภัยสำหรับใช้ในเตาไมโครเวฟ

ภาชนะ	รายละเอียด
อลูมิเนียมฟอยล์	สำหรับห่ออาหารเท่านั้น สามารถใช้อลูมิเนียมฟอยล์ชั้นเล็กห่อเนื้อสัตว์หรือสัตว์ปีกส่วนที่สุกได้ง่าย และอาจเกิดประกายไฟ เมื่อวางไว้ชิดผนังด้านในของเตาจนเกินไป ควรวางให้ห่างจากผนังอย่างน้อย 2.5 ซม.
จานทำเกรียม	โปรดปฏิบัติตามคำแนะนำจากผู้ผลิต ฐานของจานทำเกรียมต้องอยู่เหนือจานหมุนอย่างน้อย 5 มม. การใช้งานไม่ถูกวิธีอาจทำให้จานหมุนแตกได้
ภาชนะกระเบื้อง ดินเผา	เลือกชนิดที่สามารถใช้ในเตาไมโครเวฟได้ โปรดปฏิบัติตามคำแนะนำจากผู้ผลิต ห้ามใช้จานที่แตกหรือรกระเทาะ
โหลแก้ว	ถอดฝาออกทุกครั้ง และใช้สำหรับอุ่นอาหารเท่านั้น โหลแก้วส่วนมากไม่ทนความร้อน และอาจแตกได้
ภาชนะแก้ว	เลือกชนิดที่ทนความร้อนเท่านั้น และต้องไม่มีขอบโลหะ ห้ามใช้จานที่แตกหรือรกระเทาะ
ถุงสำหรับอบ	โปรดปฏิบัติตามคำแนะนำจากผู้ผลิต และห้ามใช้ลวดมัดปากถุง ต้องเจาะรูเพื่อระบายไอน้ำ
จาน, แก้ว, กระจก	ใช้เฉพาะเมื่ออุ่นอาหาร ต้องมองในเตาเป็นระยะเพราะอาจเกิดการจุดติดไฟ
กระดาษสำหรับ	ใช้คลุมอาหารเพื่ออุ่นอาหารหรือดูดซับน้ำมัน ต้องใช้ด้วยความระมัดระวัง และระยะเวลาสั้น ใช้งานในครัว
กระดาษพาทเมนต์	ใช้คลุมอาหารเพื่อป้องกันกระเด็น หรือห่ออาหารเพื่ออบไอน้ำ
พลาสติก	เลือกชนิดที่สามารถใช้ในเตาไมโครเวฟได้ โปรดปฏิบัติตามคำแนะนำจากผู้ผลิต และต้องมีป้าย “Microwave Safe” ภาชนะพลาสติกบางชนิดอาจละลายเมื่ออาหารภายในร้อน ต้องเจาะรู ‘ถุงสุญญากาศ’ และถุงที่ปิดสนิท ตามข้อแนะนำที่บรรจุภัณฑ์
ฟิล์มห่ออาหาร	เลือกชนิดที่ใช้ในเตาไมโครเวฟได้ ใช้คลุมอาหารเพื่อคงความชื้น ไม่ควรใช้สัมผัสอาหาร
Thermometers	เลือกชนิดที่สามารถใช้ในเตาไมโครเวฟได้ (Thermometers สำหรับเนื้อสัตว์)
กระดาษไข	ใช้คลุมอาหารเพื่อป้องกันกระเด็น หรือคงความชื้น
ถาดอลูมิเนียม	อาจทำให้เกิดประกายไฟ ควรถ่ายอาหารใส่ภาชนะที่สามารถใช้ในเตาไมโครเวฟได้
กล่องบรรจุ	อาจทำให้เกิดประกายไฟ ควรถ่ายอาหารใส่ภาชนะที่สามารถใช้ในเตาไมโครเวฟได้
อาหารที่มีด้ามโลหะ	
ภาชนะโลหะ, ขอบโลหะ	โลหะทำให้อาหารไม่ได้รับพลังงานไมโครเวฟ ขอบโลหะทำให้เกิดประกายไฟ
ลวดมัดปากถุง	อาจทำให้เกิดประกายไฟ และจุดติดไฟ
ถุงกระดาษ	อาจทำให้จุดติดไฟ
พลาสติกโฟม	อาจละลายหรือเจือปนในอาหาร เมื่อถูกความร้อนสูง
ไม้	ไม้จะแห้งเมื่อใช้ในเตาไมโครเวฟ และอาจทำให้รกระเทาะ หรือแตก

การประกอบเครื่อง

รายละเอียดของเครื่องและอุปกรณ์เสริม

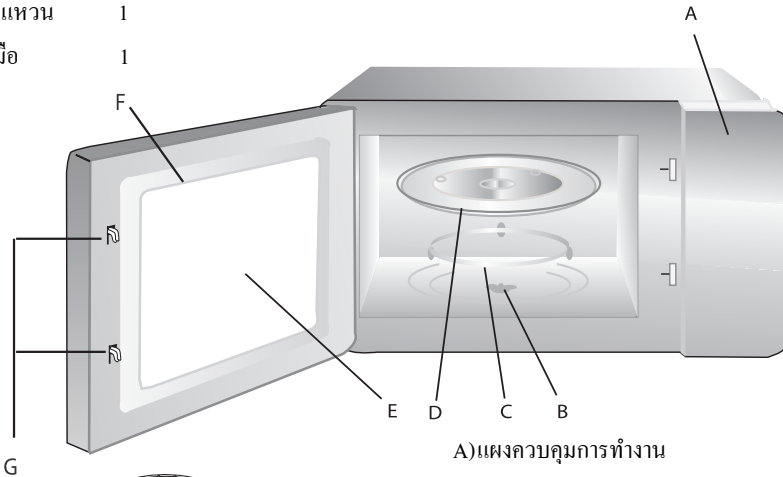
นำตัวเครื่องและชิ้นส่วนทั้งหมดที่อยู่ในกล่องและในเครื่องออกจนหมด

รายการอุปกรณ์เสริม ดังนี้:

จานแก้ว 1

วงแหวน 1

คู่มือ 1



A) แผงควบคุมการทำงาน

B) แกนหมุน

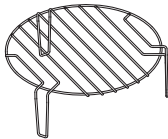
C) วงแหวน

D) จานแก้ว

E) ช่องกระຈก

F) ประตู

G) สวิตช์ล๊อคเพื่อความปลอดภัย



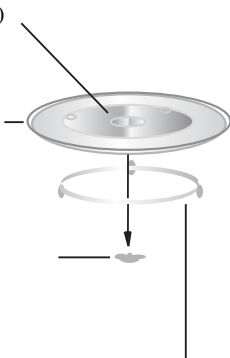
ตะแกรงอย่าง (สำหรับรุ่นที่มีฟังก์ชันย่างเท่านั้น)

การประกอบจานหมุน

แกน (ข้างใต้)

จานแก้ว

แกนหมุน



การประกอบจานหมุน

a. ห้ามวางจานหมุนกลับหัว แกนหมุนต้องสวมพอดีกับ

แกนของจานหมุน

b. ต้องใช้จานหมุนและวงแหวนในระหว่างทำอาหารเสมอ

c. วางอาหารและภาชนะบรรจุอาหารลงบนจานหมุน

เพื่อทำอาหารเสมอ

d. หากจานแก้วหรือแกนหมุนร้าวหรือแตก โปรดติดต่อ

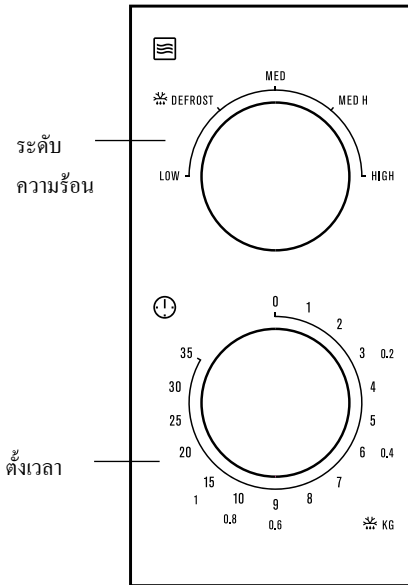
ศูนย์บริการอิเล็กทรอนิกส์

การใช้งานเตาไมโครเวฟ

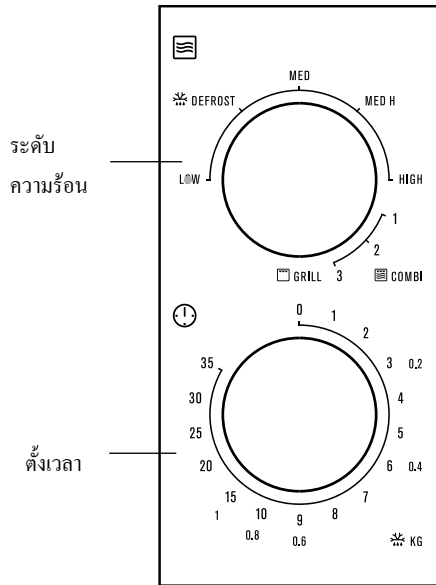
แผงควบคุมการทำงานและฟังก์ชันต่างๆ

ข้อแนะนำการใช้งาน

EMM2308X



EMM2318X



1. ตั้งระดับความร้อน ให้หมุนลูกบิดเลือกความร้อนไปที่ระดับที่ต้องการ
2. ตั้งเวลาทำอาหาร ให้หมุนลูกบิดตั้งเวลาไปที่ระยะเวลาที่ต้องการ ตามข้อแนะนำในการทำอาหาร
3. เครื่องจะเริ่มทำงานโดยอัตโนมัติหลังจากที่ตั้งระดับความร้อนและเวลาแล้ว
4. เมื่อหมดระยะเวลาที่ตั้งไว้ จะมีเสียงสัญญาณ และเครื่องหยุดทำงาน
5. หากไม่ได้ใช้งานเครื่อง ให้ตั้งเวลาไว้ที่ "0" เสมอ

10 ภาษาไทย

ฟังก์ชัน/ระดับความร้อน	กำลังไฟ	รายการอาหาร
ความร้อนต่ำ	150 วัตต์	ละลายไอศกรีม
☼ (ละลายอาหาร)	300 วัตต์	สตู, ละลายเนยหรืออาหารแช่แข็ง
ความร้อนปานกลาง	450 วัตต์	สตู, ปลา
ความร้อนปานกลาง-สูง	600 วัตต์	ข้าว, ปลา, ไก่, เนื้อบด
ความร้อนสูง	800 วัตต์	อุ่นอาหาร, นม, ต้มน้ำ, ผัก, เครื่องดื่ม

สำหรับรุ่นที่มีฟังก์ชันย่าง (EMM2318X)

ฟังก์ชัน/ระดับความ	กำลังไฟ	รายการอาหาร
Combi.1	80% ย่าง 20% ไมโครเวฟ	ไส้กรอก, ลูกมะ, Kabobs, อาหารทะเล, สเต็ก
Combi.2	70% ย่าง 30% ไมโครเวฟ	ชิ้นเนื้อไก่, อกไก่, หมูสับ
Combi.3	60% ย่าง 40% ไมโครเวฟ	ไก่ทั้งตัว
Grill	100% ย่าง	ขนมปังอบ, อาหารชิ้นบางๆ

หมายเหตุ: ก่อนนำอาหารออกจากเครื่อง ให้ปิดสวิตช์เครื่องก่อนทุกครั้ง โดยหมุนลูกบิดตั้งเวลาไปที่ 0 หากไม่ปฏิบัติตามข้อแนะนำ และใช้งานเครื่องโดยไม่ใส่อาหาร อาจทำให้เกิดความร้อนสูง และทำให้แมกนีตรอนเสียหายได้

การแก้ไขปัญหาเบื้องต้น

อาการปกติ	
การทำงานของเตาไมโครเวฟรบกวนสัญญาณโทรทัศน์	คลื่นวิทยุและคลื่นโทรทัศน์อาจถูกรบกวนเมื่อใช้งานเตาไมโครเวฟซึ่งเกิดในลักษณะเดียวกับการรบกวนของอุปกรณ์ไฟฟ้าขนาดเล็ก เช่น เครื่องผสมอาหาร เครื่องดูดฝุ่น และพัดลมไฟฟ้า ซึ่งถือเป็นเรื่องปกติ
หลอดไฟในเตาอบหรี่ลง	เมื่อทำอาหารด้วยพลังงานไมโครเวฟต่ำ หลอดไฟในเตาอบอาจหรี่ลงซึ่งถือเป็นเรื่องปกติ
ไอน้ำสะสมที่ประตู และช่องระบายอากาศ	ในระหว่างทำอาหาร ไอน้ำอาจจะเหยออกจากอาหาร และส่วนมากจะระบายออกจากช่องทางช่องระบายอากาศ ในขณะที่บางส่วนอาจสะสมในบริเวณที่เย็น เช่น ประตู ซึ่งถือเป็นเรื่องปกติ
เครื่องทำงานโดยไม่ตั้งใจ และยังไม่ได้อัศจรรย์	ห้ามใช้งานเครื่องโดยไม่ได้อัศจรรย์ เพราะทำให้เกิดอันตรายได้

ปัญหา	สาเหตุ	วิธีแก้ปัญหา
เครื่องไม่เริ่มทำงาน	(1) เสียบปลั๊กไม่แน่น	ถอดปลั๊กประมาณ 10 วินาที แล้วเสียบปลั๊กอีกครั้ง
	(2) ฟิวส์ขาด หรือเซอร์กิตเบรกเกอร์ตัด	เปลี่ยนฟิวส์หรือรีเซ็ตเซอร์กิตเบรกเกอร์ (เปลี่ยน โดยเจ้าหน้าที่ศูนย์บริการ)
	(3) เต้าจ่ายไฟขัดข้อง	ทดสอบเต้าจ่ายไฟด้วยเครื่องใช้ไฟฟ้าอื่นๆ
เครื่องไม่ทำความร้อน	(4) ปิดประตูไม่สนิท	ปิดประตูให้สนิท
เกิดเสียงที่งานหมุนในขณะที่เครื่องทำงาน	(5) แกนหมุนและพื้นเตาอบสกปรก	ดูเพิ่มเติม “การบำรุงรักษาเครื่อง” เพื่อทำความสะอาดบริเวณที่สกปรก

RoHS
Compliant.

ข้อมูลด้านสิ่งแวดล้อม

ห้ามทิ้งผลิตภัณฑ์นี้ร่วมกับขยะมูลฝอยในครัวเรือน ในกรณีที่ต้องการกำจัดเครื่องนี้ในอนาคต เครื่องเก่าควรถูกทิ้งในจุดเก็บขยะสำหรับการนำกลับมาใช้ใหม่ของอุปกรณ์อิเล็กทรอนิกส์ ผลิตภัณฑ์นี้ตรงตามมาตรฐานเพื่อสิ่งแวดล้อม RoHS

ข้อมูลทางเทคนิค

รุ่น:	EMM2308X	EMM2318X
แรงดันไฟฟ้า:	ดูจากแผ่นป้ายแสดงกำลังไฟ	ดูจากแผ่นป้ายแสดงกำลังไฟ
กำลังไฟเข้าเครื่อง (ไมโครเวฟ):	1250 วัตต์	1250 วัตต์
กำลังไฟออกจากเครื่อง (ไมโครเวฟ):	800 วัตต์	800 วัตต์
กำลังไฟเข้าเครื่อง (ย่าง):		1000 วัตต์
ความจุ:	23 ลิตร	23 ลิตร
เส้นผ่านศูนย์กลางจานหมุน:	เส้นผ่านศูนย์กลาง 270 มม.	เส้นผ่านศูนย์กลาง 270 มม.
ขนาดผลิตภัณฑ์:	485x370 x292.5 มม.	485x370 x292.5 มม.
น้ำหนัก:	ประมาณ 13.2 กก.	ประมาณ 13.7 กก.

ศูนย์บริการลูกค้า

<p>Thailand Tel: (+66 2) 725 9000 Electrolux Thailand Co., Ltd. 14th Floor, 1910 New Petchburi Road Bangkapi, Huay Kwang Bangkok 10320</p>	<p>Vietnam Toll Free: 1800-58-88-99 Tel: (+84 8) 3910 5465 Electrolux Vietnam Ltd . AB Tower, 9th Floor 76 Le Lai Street, District 1 Ho Chi Minh City</p>
<p>Indonesia Tel: (+62 21) 522 7180 PT. Electrolux Indonesia Plaza Kuningan Menara Utara Suite 201 Jl. HR. Rasuna Said Kav. C11-14 Jakarta 12940 Depdag No. I.43.EI7.00401.0911</p>	<p>Philippines Domestic Toll Free : 1-800-10-845-care 2273 Customer Care Hotline : (+63 2) 845 care 2273 10th Floor. W5th Avenue Building 5th Avenue Corner 32nd Street Bonifacio Global City, Taguig Philippines 1634 Trunkline: +63 2 737- 4756</p>
<p>Singapore Tel: (+65) 6507 8699 e-mail: customer-care.sin@electrolux.com Electrolux S.E.A Pte. Ltd. 11 Lorong 3 Toa Payoh, Jackson Square Block B, #01-13/14/15 Singapore 319579</p>	<p>Malaysia Toll Free: 1300-88-11-22 Tel: (+60 3) 7843 5999 e-mail: customer.care@electrolux.com.my Electrolux Home Appliances Sdn. Bhd. 7th Floor, Tower 2, Jaya 33, No 3. Jalan Semangat, Seksyen 13, 46100 Petaling Jaya, Selangor</p>

MỤC LỤC

Trước khi sử dụng lò vi sóng _____	3
Những thông tin an toàn quan trọng _____	3
Lắp đặt _____	5
Các vật dụng sử dụng được trong lò vi sóng _____	6
Chuẩn bị và thiết lập cho lò vi sóng _____	8
Vận hành _____	9
Khắc phục sự cố _____	11
Thông số kỹ thuật _____	12
Trung tâm Dịch vụ Khách hàng _____	13

THÔNG TIN AN TOÀN QUAN TRỌNG

Trước khi quý khách sử dụng lò vi sóng, để mẫu lò vi sóng mới của Electrolux có thể mang tới cho quý khách hiệu quả sử dụng tốt nhất, chúng tôi đã chuẩn bị các hướng dẫn dưới đây. Hãy đảm bảo rằng quý khách đọc hướng dẫn sử dụng kỹ càng trước khi bắt đầu dùng sản phẩm. Trong trường hợp sản phẩm được sang nhượng cho người khác, hoặc quý khách chuyển nhà và để lại lò vi sóng cho chủ mới, xin vui lòng đảm bảo rằng sách hướng dẫn này luôn đi kèm lò hoặc người chủ mới của sản phẩm hiểu rõ về các tính năng của lò cũng như các cảnh báo liên quan. Xin vui lòng đảm bảo rằng quý khách đã đọc hết sách hướng dẫn sử dụng này trước khi bắt đầu sử dụng sản phẩm



cảnh báo

- Không nên đun nóng chất lỏng và các thực phẩm khác khi đựng trong các hộp đựng kín bởi vì việc này có thể gây nổ
- Việc tự ý sửa chữa lò vi sóng, trong đó có tháo bỏ tấm chắn an toàn giúp bảo vệ người dùng khỏi việc tiếp xúc trực tiếp với năng lượng vi ba, nếu được thực hiện bởi người không có trình độ chuyên môn kỹ thuật sẽ rất nguy hiểm
- Chỉ cho phép trẻ em sử dụng lò mà không có sự giám sát của người lớn khi đã hướng dẫn trẻ sử dụng lò kỹ càng, giúp trẻ biết được cách sử dụng lò an toàn và hiểu được các mối nguy hiểm có thể xảy ra nếu sử dụng lò không đúng cách
- Khi dùng chức năng nướng kết hợp, bởi lò sẽ có nhiệt độ cao, chỉ nên để trẻ em sử dụng lò khi có sự giám sát của người lớn. (Chỉ dành cho mẫu có chức năng nướng)
- Chỉ sử dụng các đồ đựng thích hợp với lò vi sóng
- Lò vi sóng cần được vệ sinh thường xuyên và mọi thực phẩm thừa phải được dọn sạch.
- Đọc và làm theo chỉ dẫn: "CHÚ Ý TRÁNH SỰ TIẾP XÚC TRỰC TIẾP VỚI NĂNG LƯỢNG SÓNG ĐIỆN TỪ"
- Khi hâm nóng thực phẩm trong hộp đựng bằng giấy hoặc bằng nhựa, chú ý theo dõi lò thường xuyên bởi đồ đựng có thể bị bắt lửa.
- Nếu thấy có khói bốc ra, hãy rút phích cắm và không mở cửa lò để tránh cháy.
- Không nấu thực phẩm quá lâu.
- Không sử dụng khoang lò để cất giữ đồ vật. Không để đồ như bánh quy, bánh mì, vãn vãn trong khoang lò.
- Tháo bỏ các dây buộc và móc bằng kim loại khỏi túi/hộp đựng thực phẩm bằng nhựa hoặc giấy trước khi đặt chúng vào lò.
- Việc lắp đặt lò phải tuân thủ theo các chỉ dẫn lắp đặt được nêu trong sách hướng dẫn sử dụng.
- Không nên nấu trứng nguyên quả và trứng chần đã bóc vỏ trong lò vi sóng bởi chúng có thể bị nổ, ngay cả khi quá trình làm nóng của lò vi sóng đã kết thúc.
- Chỉ sử dụng lò đối với các mục đích sử dụng được nêu trong sách hướng dẫn. Không dùng chất tẩy rửa hóa học trong lò. Kiểu lò này chỉ được thiết kế để làm nóng thực phẩm. Không được sử dụng lò cho các mục đích công nghiệp hay trong phòng thí nghiệm.
- Nếu dây điện bị hư hỏng, việc thay thế phải được thực hiện bởi nhà sản xuất, các trung tâm dịch vụ ủy quyền hay kỹ sư điện có tay nghề để tránh những nguy hiểm tiềm tàng.
- Không đặt lò ngoài trời.
- Không dùng lò gần nơi có nước, trên bề mặt ẩm ướt hay gần hồ bơi.

- Nhiệt độ ở bề mặt tiếp xúc có thể nóng lên khi lò hoạt động. Bề mặt lò có khả năng nóng lên trong suốt quá trình sử dụng. Để dây điện tránh xa các bề mặt nóng và không đặt bất cứ vật gì lên trên nắp lò.
- Không để dây điện treo ngang qua các góc của mặt bàn.
- Việc không giữ vệ sinh lò có thể dẫn tới hư hỏng cho bề mặt lò, ảnh hưởng đến tuổi thọ của lò và có thể gây ra nguy hiểm.
- Cần kiểm tra nhiệt độ và khuấy đều chất lỏng trong các chai sữa và đồ ăn của trẻ em trước khi sử dụng để tránh bị phỏng.
- Việc hâm nóng chất lỏng trong lò vi sóng có thể dẫn đến hiện tượng bị sôi trào, bởi vậy phải cẩn thận khi tiếp xúc với bình chứa sau khi nấu.
- Thiết bị này không dành cho những người (bao gồm cả trẻ em) suy giảm thể chất, cảm giác, thiếu năng trí tuệ hay không có kinh nghiệm sử dụng trừ khi họ được giám sát hoặc được chỉ dẫn liên quan đến sử dụng thiết bị bởi người có trách nhiệm với sự an toàn của họ
- Trẻ em phải được giám sát để tránh việc các bé đùa nghịch với thiết bị.
- Thiết bị không được thiết kế để có thể vận hành bởi thiết bị bấm giờ bên ngoài hoặc hệ thống điều khiển từ xa.
- Khi sử dụng thiết bị, các bộ phận bên ngoài của thiết bị cũng có thể bị nóng lên. Không cho trẻ em lại gần thiết bị để tránh bị phỏng.
- Không được sử dụng dụng cụ vệ sinh bằng hơi nước.
- Trong quá trình sử dụng, thiết bị sẽ bị nóng. Hãy cẩn thận đừng chạm vào những bộ phận làm nóng ở bên trong lò.
- Chỉ sử dụng đầu dò nhiệt độ được khuyến cáo cho thiết bị này. (dành cho lò vi sóng có chức năng sử dụng đầu dò cảm biến nhiệt độ)
- Mặt sau của thiết bị nên được đặt dựa vào tường.
- Không để bất kỳ người nào trừ nhân viên kỹ thuật có trình độ chuyên môn thực hiện các thao tác sửa chữa lò mà cần tháo bỏ tấm chắn an toàn giúp bảo vệ người dùng khỏi việc tiếp xúc trực tiếp với năng lượng vi ba
- Trong quá trình sử dụng, thiết bị sẽ bị nóng. Hãy cẩn thận đừng chạm vào những bộ phận làm nóng ở bên trong lò
- Lò vi sóng và các bề mặt ngoài của lò sẽ bị nóng lên trong quá trình sử dụng. Hãy cẩn thận đừng chạm vào những phần bị nóng lên. Trẻ em dưới 8 tuổi cần được giữ tránh xa lò hoặc phải được trông chừng liên tục.
- Lò vi sóng không được đặt âm trong kệ tủ trừ khi đã được thử nghiệm kỹ càng

 **cảnh báo**

- Đảm bảo rằng đã tắt thiết bị trước khi thay bóng đèn để tránh bị điện giật.

 **thận trọng**

Việc không giữ vệ sinh sạch sẽ cho lò có thể gây hư hỏng cho bề mặt, ảnh hưởng đến tuổi thọ của lò và có thể gây ra nguy hiểm khi lò hoạt động

LẮP ĐẶT

Hướng dẫn nối đất

NGUY HIỂM

Nguy cơ điện giật: Việc chạm vào một số bộ phận bên trong lò vi sóng có thể làm bị thương nghiêm trọng hoặc gây tử vong.

Không được tự ý tháo rời thiết bị này.



cảnh báo

Nguy cơ điện giật: Việc nối đất không đúng cách có thể gây chập điện. Không được nối lò với nguồn điện cho tới khi thiết bị được lắp đặt và nối tiếp đất đúng cách.

Lò vi sóng phải được tiếp đất. Trong trường hợp đoàn mạch, tiếp đất sẽ hạn chế nguy cơ chập điện bằng cách truyền dòng điện xuống đất thông qua dây dẫn thoát. Lò vi sóng được trang bị dây dẫn điện có dây tiếp đất với phích cắm tiếp đất. Phích cắm tiếp đất phải được cắm với nguồn điện được lắp đặt và nối tiếp đất đúng cách.

Xin vui lòng tham khảo tư vấn của kỹ sư điện hoặc nhân viên dịch vụ nếu quý khách không hoàn toàn hiểu các hướng dẫn nối đất; hoặc có băn khoăn về việc thiết bị đã được nối đất an toàn hay chưa. Trong trường hợp cần sử dụng dây nối dài để cấp điện cho thiết bị, chỉ sử dụng dây nối dài 3 lõi (có một lõi là dây nối đất).

VỆ SINH

Hãy chắc chắn là quý khách đã rút phích cắm của lò vi sóng ra khỏi nguồn điện trước khi bắt đầu vệ sinh

1. Lau sạch phần bên trong lò sau khi sử dụng bằng một miếng vải ẩm.
2. Làm sạch các phụ kiện bằng cách sử dụng xà phòng và nước theo cách thông thường.
3. Trong trường hợp khung cửa và gioăng cửa bị bẩn, cần làm sạch một cách cẩn thận bằng một miếng vải ẩm.
4. Không được dùng chất mài mòn hoặc miếng lau chùi bằng kim loại để vệ sinh cửa kính của lò vì chúng có thể làm xước bề mặt, gây ra vỡ kính.

1. Một dây điện ngắn được cung cấp theo máy nhằm hạn chế nguy cơ gây vướng chân và vấp té của dây điện dài.
2. Trong trường hợp cần sử dụng dây dẫn điện dài hoặc dây dẫn điện nối dài:
 - 1) Các thông số điện được ghi trên dây phải lớn hơn hoặc bằng các thông số điện của lò.
 - 2) Dây điện nối dài cần được tiếp đất bằng cách dùng loại ổ cắm 3 chấu.
 - 3) Cần đi dây hợp lý sao cho dây nguồn không bị vắt ngang mặt bàn, giúp tránh việc trẻ em có thể kéo dây hoặc bị vấp ngã

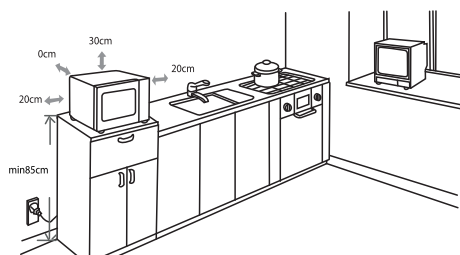
Lắp đặt trên mặt bàn bếp

Khoang tất cả bao bì đóng gói và phụ kiện của thiết bị ra. Kiểm tra lò vi sóng để đảm bảo rằng lò không có bất kì hư hỏng nào chẳng hạn như trầy xước hay bề cửa. Không lắp đặt nếu phát hiện lò bị hư hỏng

Khoang lò: Tháo tất cả các tấm phim bảo vệ trên bề mặt khoang lò. Không tháo nắp chụp đèn bằng mica màu nâu được gắn vào khoang trống của lò để bảo vệ đèn ma-nhê-trông

Lắp đặt

1. Lựa chọn bề mặt phẳng đủ để tạo khoảng trống cho các lỗ thông khí



- (1) Chiều cao tối thiểu của kệ đỡ là 85 cm.

- (2) Mặt sau của thiết bị nên được đặt dựa vào tường. Khoảng cách tối thiểu giữa nắp lò và tường bên trên là 30 cm. Khoảng cách tối thiểu giữa lò và các bức tường bao quanh là 20 cm.

- (3) Không tháo các chân kê ở đáy lò.

- (4) Các lỗ thoát của thiết bị nếu tắc nghẽn sẽ gây hư hại cho lò.
- (5) Đặt lò càng xa đài radio và tivi càng tốt. Hoạt động của lò có thể gây nhiễu sóng cho radio và tivi

2. Cắm lò vi sóng vào ổ điện tiêu chuẩn dùng cho hộ gia đình. Đảm bảo rằng điện áp và tần số của nguồn điện phải bằng với điện áp và tần số của lò được ghi trên bảng ghi thông số kỹ thuật

CẢNH BÁO: Không lắp đặt lò bên trên các bề mặt toả nhiệt hoặc thiết bị tỏa nhiệt khác. Nếu lắp đặt lò gần hoặc trên nguồn nhiệt, lò vi sóng có thể sẽ bị hư hỏng và sẽ bị từ chối bảo hành.

Bề mặt tiếp xúc có thể sẽ rất nóng trong quá trình hoạt động



VẬT ĐỰNG TRONG LÒ VI SÓNG

Xem hướng dẫn ở mục “Các chất liệu có thể dùng và không được dùng trong lò vi sóng”. Một số vật đựng không làm từ kim loại có thể không an toàn khi dùng trong lò vi sóng. Nếu còn băn khoăn, quý khách có thể thử vật đựng còn nghi ngờ theo quy trình dưới đây

Thử vật đựng trong lò vi sóng

1. Đặt vật đựng còn nghi ngờ trong lò cùng với một cốc nước lạnh (250ml).
2. Bật lò ở công suất tối đa trong vòng 1 phút.
3. Cẩn thận kiểm tra vật đựng còn nghi ngờ. Nếu vật đựng ấm lên, không nên sử dụng cho mục đích nấu nướng trong lò vi sóng.
4. Khi thử vật đựng, không được bật lò quá 1 phút.

Các chất liệu có thể dùng trong lò vi sóng

Đồ đựng	Chú ý
Tấm bọc nhôm	Chỉ dùng để bọc đồ ăn. Có thể dùng các miếng bọc nhôm nhỏ và phẳng để bọc miếng thịt mỏng để tránh bị quá lửa. Nếu miếng bọc ở quá gần thành trong của lò, có thể xuất hiện tia lửa. Miếng bọc cần ở cách thành trong của lò ít nhất 2.5cm
Đĩa nướng đồ ăn	Làm theo hướng dẫn của nhà sản xuất. Đáy của đĩa nướng phải ở cách trục quay ít nhất 5mm. Sử dụng đĩa nướng không đúng cách có thể làm hỏng trục quay.
Khay đĩa đựng đồ ăn	Chỉ sử dụng các loại khay đĩa an toàn trong lò vi sóng. Làm theo hướng dẫn của nhà sản xuất. Không dùng các khay đĩa đã bị vỡ hoặc nứt mẻ.
Bình thủy tinh	Luôn nhớ mở nắp bình khi dùng trong lò vi sóng. Chỉ dùng bình thủy tinh để hâm nóng đồ ăn tới khi đủ ấm. Hầu hết các loại bình thủy tinh đều không có khả năng chịu nhiệt cao và có thể bị nứt vỡ.
Đồ đựng thủy tinh	Chỉ sử dụng các đồ đựng chịu nhiệt dùng cho lò vi sóng. Chỉ sử dụng các loại đồ đựng thủy tinh không có các họa tiết trang trí bằng kim loại. Không dùng các đồ đã bị vỡ hoặc nứt mẻ.
Túi nấu đồ ăn dùng cho lò vi sóng	Làm theo hướng dẫn của nhà sản xuất. Không để túi quá gần thành trong của lò. Nhớ tạo khe hở cho hơi nước thoát ra ngoài.
Khay giấy và cốc giấy	Chỉ dùng khi cần hâm nóng đồ ăn trong thời gian ngắn. Nhớ luôn luôn trông chừng lò vi sóng khi sử dụng khay giấy và cốc giấy
Khăn giấy	Dùng để bọc đồ ăn khi muốn hâm nóng hoặc để thấm mỡ. Chỉ sử dụng khi hâm nóng đồ ăn trong thời gian ngắn và nhớ trông chừng lò khi sử dụng.
Giấy dầu	Dùng để bọc đồ ăn nhằm tránh hiện tượng phồng nổ hoặc bọc đồ ăn khi hấp.
Đồ đựng bằng nhựa	Chỉ sử dụng các loại đồ đựng an toàn trong lò vi sóng. Làm theo hướng dẫn của nhà sản xuất. Các đồ đựng này thường có nhãn "an toàn trong lò vi sóng" đi kèm. Một số loại đồ đựng sẽ bị mềm ra khi thức ăn ở trong nóng lên. "Túi hấp cách thủy" hoặc các loại túi nhựa kín khác cần được rạch khe hoặc chọc lỗ theo hướng dẫn trên bao bì
Tấm bọc đồ ăn bằng nhựa	Chỉ sử dụng các loại tấm bọc an toàn trong lò vi sóng. Dùng tấm bọc đồ ăn khi muốn giữ độ ẩm cho đồ ăn. Không để tấm bọc chạm vào đồ ăn khi nấu.
Nhiệt kế	Chỉ sử dụng các loại nhiệt kế an toàn trong lò vi sóng (nhiệt kế dùng trong việc nấu thịt và bánh)
Giấy sáp	Dùng để bọc đồ ăn giúp tránh phồng nổ và giữ độ ẩm cho đồ ăn.
Khay nhôm	Có thể gây ra tia lửa. Chuyển đồ ăn sang đĩa đựng an toàn trong lò vi sóng
Hộp đựng thức ăn có tay cầm kim loại	Có thể gây ra tia lửa. Chuyển đồ ăn sang đĩa đựng an toàn trong lò vi sóng
Các dụng cụ kim loại hoặc có viền kim loại	Kim loại sẽ làm giảm hiệu quả của tia vi sóng đối với thức ăn. Các họa tiết hoặc viền kim loại có thể gây ra tia lửa
Dây buộc kim loại	Có thể gây ra tia lửa và gây cháy trong lò vi sóng
Túi giấy	Có thể bắt lửa và bốc cháy trong lò vi sóng
Đồ đựng bằng bột nhựa	Có thể tan chảy hoặc làm biến chất lỏng ở trong khi gặp nhiệt độ cao
Túi giấy	Gỗ sẽ bị khô kiệt khi sử dụng trong lò vi sóng và có thể bị gãy vỡ

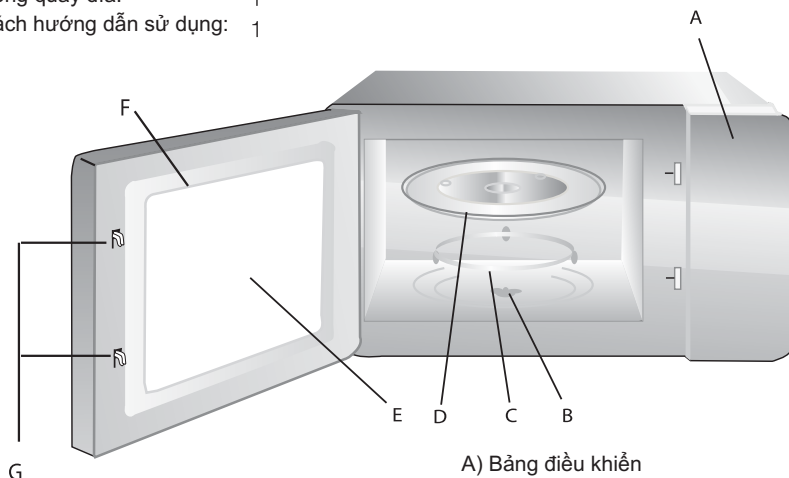
CHUẨN BỊ VÀ THIẾT LẬP CHO Lò

Tên của các bộ phận và phụ kiện của lò

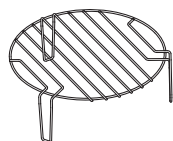
Dỡ bỏ lò vi sóng và các vật liệu ra khỏi bao bì và khoang lò.

Lò đi kèm với các thiết bị sau:

Đĩa thủy tinh:	1
Vòng quay đĩa:	1
Sách hướng dẫn sử dụng:	1



G



Giá nướng (chỉ có trong lò vi sóng có chức năng nướng)

- A) Bảng điều khiển
- B) Trục quay đĩa
- C) Vòng quay đĩa
- D) Đĩa thủy tinh
- E) Cửa kính quan sát
- F) Cửa lò
- G) Hệ thống khóa an toàn

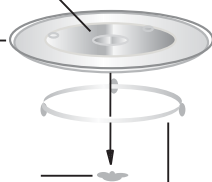
Lắp đặt đĩa quay

Trục quay (bên dưới)

Đĩa thủy tinh

Trục quay đĩa

Vòng quay đĩa

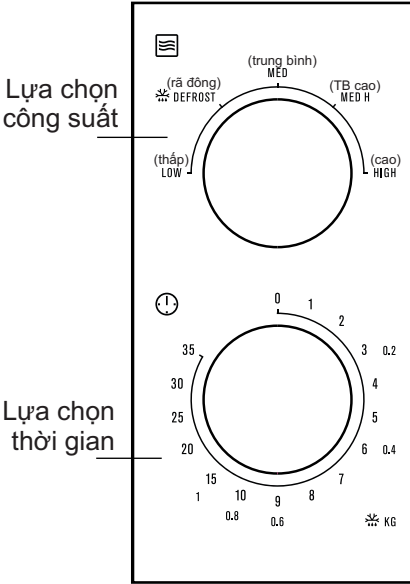


- a. Không đặt đĩa thủy tinh úp xuống dưới. Không được để bất cứ vật gì cản trở vòng quay của đĩa.
- b. Phải sử dụng cả đĩa quay và vòng quay đĩa trong suốt quá trình nấu.
- c. Luôn đặt thực phẩm, hộp đựng thực phẩm lên trên đĩa quay khi nấu.
- d. Nếu đĩa quay hoặc vòng quay đĩa bị nứt hoặc gãy, vui lòng liên hệ với trung tâm chăm sóc khách hàng gần nhất.

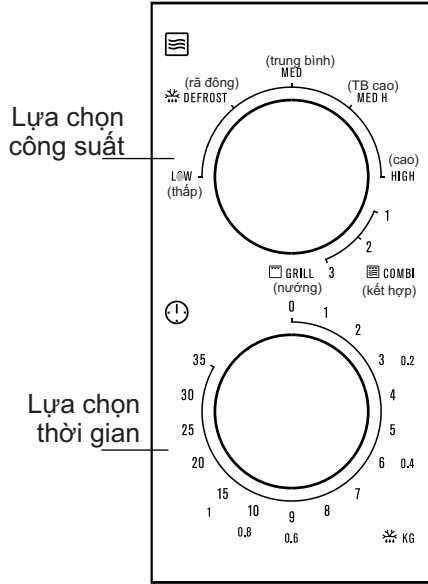
VẬN HÀNH

Bảng điều khiển và tính năng Hướng dẫn vận hành

EMM2308X



EMM2318X



1. Cài đặt mức công suất bằng cách xoay núm lựa chọn công suất tới mức công suất như mong muốn.
2. Cài đặt thời gian nấu bằng cách xoay núm lựa chọn thời gian tới thời gian như mong muốn tùy theo loại thực phẩm.
3. Lò vi sóng sẽ tự hoạt động sau khi mức công suất và mức thời gian được cài đặt.
4. Sau khi thời gian nấu kết thúc, âm báo sẽ vang lên "Dong" và lò sẽ ngưng hoạt động.
5. Nếu không sử dụng lò, luôn luôn xoay núm vận thời gian về mức "0"

Chức năng/ Công suất	Năng lượng	Dùng khi
Thấp	150W	Làm mềm kem
☀️ Rã đông	300W	Súp, món hầm, làm mềm bơ hay rã đông
Trung Bình	450W	Thịt hầm, cá
Trung Bình Cao	600W	Cơm, cá, gà, thịt miếng
Cao	800W	Hầm nóng đồ ăn, sữa, đun sôi nước, rau củ, thức uống

Dành cho lò vi sóng có chức năng nướng (EMM2318X)

Chức năng/ Công suất	Năng lượng	Dùng để
Kết hợp 1	80% nướng, 20% vi sóng	Xúc xích, sườn cừu, thịt xiên nướng, hải sản, bò bít tết
Kết hợp 2	33% vi sóng	Gà miếng, ức gà, thịt heo
Kết hợp 3	55% vi sóng	Gà nguyên con
Nướng	77% vi sóng	Bánh mì nướng, thực phẩm cắt lát

Chú ý: Khi lấy thực phẩm từ lò ra, phải đảm bảo rằng nút thời gian phải ở vị trí 0. Việc không thực hiện động tác này cũng như để lò hoạt động mà không có thực phẩm có thể làm lò bị quá nóng, gây hư hỏng cho lò và đèn magnetron.

Khắc phục sự cố

Các hiện tượng bình thường	
Lò vi sóng gây nhiễu sóng TV	Bộ tiếp sóng của radio và TV có thể bị nhiễu sóng khi lò hoạt động. Hiện tượng này tương tự những nhiễu gây bởi các thiết bị điện gia dụng khác chẳng hạn như máy xay, máy hút bụi, quạt điện. Hiện tượng này là bình thường.
Đèn sáng mờ mờ	Khi nấu ở công suất thấp, đèn trong lò có thể sáng mờ mờ. Điều này là bình thường.
Hơi nước bị đọng trên cửa, hơi nóng thoát ra ngoài	Khi nấu, hơi nước thoát ra từ thực phẩm. Hầu hết sẽ thoát ra qua lỗ thoát khí, nhưng một số sẽ đọng lại trên những bề mặt lạnh như cửa lò. Điều này là bình thường.
Lò hoạt động mà không có thực phẩm bên trong	Không được để lò hoạt động mà không có thực phẩm bên trong. Điều này rất nguy hiểm.

Sự cố	Nguyên nhân	Cách khắc phục
Lò không hoạt động.	(1) Dây điện không được cắm chắc chắn vào nguồn.	Rút phích cắm rồi cắm lại vào nguồn sau 10 giây
	(2) Cháy cầu chì hoặc aptômát tự ngắt bị nhảy	Thay cầu chì hoặc bật lại aptômát (Việc này cần được thực hiện bởi các nhân viên có trình độ chuyên môn của công ty chúng tôi).
	(3) Ổ cắm điện gặp sự cố	Sử dụng thiết bị điện khác để kiểm tra ổ cắm điện.
Lò không nóng.	(4) Cửa không được đóng kín	Đóng chặt cửa.
Đĩa xoay kêu to khi lò hoạt động.	(5) Rô-lơ xoay và đáy lò bị dơ.	Tham khảo phần “Vệ sinh và bảo dưỡng” để vệ sinh các thiết bị.

Tuân Thủ
ROHS

Thông tin môi trường

Nếu quý khách muốn vứt bỏ sản phẩm này trong tương lai, vui lòng không vứt bỏ cùng rác thải sinh hoạt. Hãy thải loại thiết bị ở nơi tập kết phế thải của địa phương nếu có thể.

Sản phẩm này tuân thủ quy định về Hạn chế vật chất nguy hiểm RoHS

THÔNG SỐ KỸ THUẬT

Mẫu máy	EMM2308X	EMM2318X
Điện áp:	Vui lòng tham khảo bảng ghi thông số kỹ thuật	Vui lòng tham khảo bảng ghi thông số kỹ thuật
Công suất tiêu thụ của vi sóng:	1250W	1250W
Công suất vi sóng	800W	800W
Công suất tiêu thụ của mạch nướng	-	1000W
Dung tích lò:	23L	23L
Chu vi đĩa xoay:	Ø 270mm	Ø 270mm
Kích thước bên ngoài:	485x370x292,5mm	485x370x292,5mm
Trọng lượng tịnh:	Khoảng 13,2 kg	Khoảng 13,7 kg

TRUNG TÂM CHĂM SÓC KHÁCH HÀNG

<p>Thailand Tel: (+66 2) 725 9000 Electrolux Thailand Co., Ltd. 14th Floor, 1910 New Petchburi Road Bangkapi, Huay Kwang Bangkok 10320</p>	<p>Việt Nam Dịch vụ chăm sóc khách hàng (miễn phí): 1800-58-88-99 ĐT: +(84) 8 3910 5465 Công ty TNHH Electrolux Vietnam Tầng 9, tòa nhà A&B, Số 76 đường Lê Lai, Quận 1, Thành phố Hồ Chí Minh, Việt Nam</p>
<p>Indonesia Tel: (+62 21) 522 7180 PT. Electrolux Indonesia Plaza Kuningan Menara Utara Suite 201 Jl. HR. Rasuna Said Kav. C11-14 Jakarta 12940 Depdag No. I.43.EI7.00401.0911</p>	<p>Philippines Domestic Toll Free : 1-800-10-845-care 2273 Customer Care Hotline : (+63 2) 845 care 2273 10th Floor. W5th Avenue Building 5th Avenue Corner 32nd Street Bonifacio Global City, Taguig Philippines 1634 Trunkline: +63 2 737- 4756</p>
<p>Singapore Tel: (+65) 6507 8699 e-mail: customer-care.sin@electrolux.com Electrolux S.E.A Pte. Ltd. 11 Lorong 3 Toa Payoh, Jackson Square Block B, #01-13/14/15 Singapore 319579</p>	<p>Malaysia Toll-Free: 1300-88-11-22 Tel: (+60 3) 7843 5999 e-mail: customer.care@electrolux.com.my Electrolux Home Appliances Sdn. Bhd. 7th floor, Tower 2, Jaya 33, No 3. Jalan Semangat, Seksyen 13, 46100 Petaling Jaya, Selangor</p>

Nhà cải tiến thiết kế chu đáo

Bạn có nhớ lần gần đây nhất mình nhận được một món quà khiến bạn phải thốt lên “Ồi chào! Làm thế nào cậu biết được thế? Đây đúng là thứ mình cần!” Đó chính là thứ cảm xúc mà những nhà thiết kế của Electrolux muốn gọi lên nơi những khách hàng đã chọn lựa hoặc sử dụng bất kỳ sản phẩm nào của chúng tôi. Chúng tôi cố gắng hiến thời gian, hiểu biết cũng như rất nhiều trăn trở nhằm dự đoán và tạo ra các thiết bị mà các khách hàng của chúng tôi thực sự muốn và cần có.

Sự quan tâm sâu sắc này cũng đồng nghĩa với việc cải tiến với tầm nhìn thấu suốt. Không phải thiết kế vì thiết kế, mà phải là thiết kế vì khách hàng. Đối với chúng tôi, những thiết kế sâu sắc có nghĩa tạo ra những thiết bị dễ sử dụng và tạo nên sự thích thú cho khách hàng khi vận hành, tạo điều kiện cho khách hàng tận hưởng mọi sự dễ chịu và xa hoa của thế kỷ 21. Mục tiêu của chúng tôi là mang đến cảm giác thoải mái này đến với nhiều người hơn nữa, trong nhiều lãnh vực hơn nữa của cuộc sống thường ngày trên toàn thế giới. Vì vậy, khi chúng tôi nói rằng chúng tôi đang nghĩ cho bạn, những khách hàng của Electrolux, bạn hiểu đó là lời nói thành tâm của chúng tôi.

Cam kết “luôn quan tâm đến khách hàng” của Electrolux không dừng lại ở việc đáp ứng nhu cầu hiện tại của quý khách hàng, mà còn là sự cam kết tạo ra các sản phẩm thân thiện với môi trường – cho hiện tại và cho thế hệ mai sau.

Electrolux. Thinking of you.

Chia sẻ thêm với chúng tôi tại www.electrolux.vn

DAFTAR ISI

Sebelum menggunakan oven gelombang mikro anda	3
Petunjuk Keselamatan yang Penting	3
Instalasi	5
Panduan peralatan memasak	6
Menyiapkan oven anda	8
Operasi	9
Penelusuran masalah	11
Data teknis	12
Pusat Layanan Konsumen	13

PETUNJUK KESELAMATAN YANG PENTING

Sebelum menggunakan oven gelombang mikro anda, petunjuk-petunjuk berikut telah disiapkan untuk mendapatkan hasil terbaik dari oven gelombang mikro anda. Pastikan anda membacanya dengan seksama. Adalah penting bahwa buku petunjuk ini harus disimpan bersama alat ini untuk rujukan di masa mendatang. Bila oven ini dijual atau berganti pemilik, atau bila anda pindah rumah dan oven ini ditinggalkan, pastikan buku petunjuk tetap berada bersama oven sehingga pemilik barunya bisa membiasakan diri dengan fungsi-fungsi oven dan peringatan-peringatan yang relevan. Pastikan anda telah membaca keseluruhan manual bagi pengguna ini sebelum menggunakan oven dan anda mengikuti rekomendasi-rekomendasi yang diberikan.



peringatan

- Cairan atau makanan lain tidak boleh dipanaskan dalam wadah yang tertutup rapat karena dapat meletus.
- Adalah berbahaya bagi seseorang yang tidak berkompeten untuk melaksanakan tindakan servis atau perbaikan yang melibatkan dilepaskannya tutup yang melindungi terhadap paparan energi gelombang mikro.
- Izinkan anak-anak untuk menggunakan oven tanpa pengawasan hanya bila kepada mereka telah diberikan petunjuk yang cukup sehingga mereka dapat menggunakan oven dengan cara yang aman dan mengerti bahaya dari penggunaan yang tidak tepat.
- Bila oven dioperasikan dalam moda kombinasi, anak-anak hanya boleh menggunakan oven di bawah pengawasan orang dewasa karena temperatur yang dibangkitkan. (hanya untuk seri grill).
- Gunakan hanya peralatan memasak yang sesuai untuk penggunaan dalam oven gelombang mikro.
- Oven harus dibersihkan secara berkala dan endapan makanan manapun harus disingkirkan.
- Baca dan patuhilah petunjuk khusus: "PERINGATAN UNTUK MENGHINDARI KEMUNGKINAN TERPAPAR ENERGI GELOMBANG MIKRO BERLEBIHAN".
- Saat memanaskan makanan dalam wadah plastik atau kertas, awasi oven karena ada kemungkinan wadah terbakar.
- Bila terlihat asap, matikan oven atau cabut stekernya dari stopkontak dan biarkan pintu oven tertutup untuk memadamkan nyala api.
- Jangan memasak makanan hingga terlalu matang.
- Jangan menggunakan ruang oven untuk tempat penyimpanan barang. Jangan menyimpan barang-barang seperti roti, kue dan sebagainya di dalam oven.
- Singkirkan tali pengikat dan gagang logam dari wadah /kantong kertas atau plastik sebelum wadah /kantong tersebut diletakkan di dalam oven.
- Pasang atau tempatkan oven ini hanya sesuai dengan petunjuk instalasi yang terdapat dalam manual ini.
- Telur dalam cangkangnya dan telur rebus utuh matang tidak boleh dipanaskan dalam oven gelombang mikro karena dapat meletus, walaupun pemanasan oleh oven gelombang mikro telah berakhir.
- Gunakan oven untuk tujuan yang dimaksud sebagaimana dijelaskan dalam manual ini. Jangan menggunakan bahan kimia atau uap korosif pada oven ini. Oven ini dirancang khusus untuk memanaskan. Oven ini tidak dirancang untuk pemakaian industri atau laboratorium.
- Bila kabel listrik rusak, kabel hanya boleh diganti oleh Electrolux, agen servisnya, atau orang yang berkualifikasi serupa untuk menghindari bahaya.
- Jangan menyimpan atau menggunakan oven ini di luar ruangan.
- Jangan menggunakan oven ini di dekat air, di ruang bawah tanah yang basah atau di dekat kolam renang.

- Temperatur permukaan yang bisa tersentuh dapat menjadi tinggi saat oven bekerja. Permukaan tersebut bisa menjadi panas saat oven bekerja. Jauhkan kabel listrik oven dari permukaan yang panas, dan jangan menutup lubang ventilasi apapun pada oven.
- Hindarkan kabel menjuntai pada pinggir meja makan atau meja dapur.
- Kegagalan untuk menjaga oven tetap bersih dapat menyebabkan penurunan kualitas permukaan yang dapat memberi pengaruh buruk pada usia oven dan dapat menyebabkan situasi berbahaya.
- Isi botol susu dan wadah makanan bayi harus diaduk atau dikocok dan temperaturnya harus diperiksa sebelum dikonsumsi untuk menghindari luka bakar.
- Pemanasan minuman dengan gelombang mikro dapat menyebabkan pendidihan letus yang tertunda, karena itu berhati-hatilah saat menangani wadahnya.
- Oven ini tidak ditujukan digunakan oleh orang-orang (termasuk anak-anak) yang memiliki kekurangan fisik, sensorik, atau mental atau kurang pengalaman dan pengetahuan, kecuali kepada mereka telah diberikan pengawasan atau petunjuk mengenai penggunaan oven oleh orang yang bertanggung jawab atas keselamatan mereka.
- Anak-anak harus diawasi untuk memastikan mereka tidak bermain-main dengan oven ini.
- Oven ini tidak ditujukan untuk digunakan dengan memakai pengatur waktu eksternal atau sistem kendali jarak jauh terpisah.
- Komponen-komponen yang dapat bisa tersentuh dapat menjadi panas selama penggunaan. Anak-anak kecil harus dijauhkan dari oven.
- Penggunaan pembersih uap tidak diperbolehkan.
- Selama pemakaian, oven ini akan menjadi panas. Hati-hatilah untuk menghindari menyentuh elemen-elemen pemanas di dalam oven.
- Gunakan hanya peraba temperatur yang direkomendasikan untuk oven ini (untuk oven yang dilengkapi dengan fasilitas untuk menggunakan suatu peraba temperatur).
- Permukaan belakang oven ini harus dihadapkan ke dinding.
- Jangan mengizinkan siapapun selain teknisi servis yang berkompeten untuk melaksanakan tindakan servis atau perbaikan yang melibatkan dilepaskannya tutup yang melindungi terhadap paparan energi gelombang mikro.
- Selama pemakaian, oven ini akan menjadi panas. Hati-hatilah untuk menghindari menyentuh elemen-elemen pemanas di dalam oven.
- Oven serta komponennya yang bisa tersentuh akan menjadi panas saat digunakan. Hati-hatilah untuk menghindari menyentuh elemen-elemen pemanas di dalam oven. Anak-anak yang berusia kurang dari 8 tahu harus dijauhkan dari oven ini kecuali diawasi terus-menerus.
- Oven gelombang mikro ini tidak boleh dipasang dalam lemari dapur (kabinet) kecuali telah diuji untuk pemakaian dalam lemari dapur.



peringatan

- Pastikan oven ini telah dimatikan sebelum mengganti lampu untuk menghindari kemungkinan sengatan listrik.



perhatian

Bila kebersihan oven gelombang mikro tidak dijaga dengan baik, kualitas permukaan luar oven bisa berkurang, yang berpengaruh pada usia pakai oven gelombang mikro serta keamanan operasinya.

INSTALASI

Instalasi Pentanahan

BAHAYA

Bahaya Sengatan Listrik Saat Menyentuh beberapa komponen internal dapat menyebabkan cedera diri berat atau kematian. Jangan membongkar oven ini.



peringatan

Bahaya Sengatan Listrik. Penggunaan pentanahan yang tidak tepat dapat menyebabkan sengatan listrik. Jangan memasang steker oven pada stopkontak sebelum oven ini dipasang dan ditanahkan dengan baik.

PEMBERSIHAN

Pastikan untuk mencabut steker oven dari catu daya listrik.

1. Bersihkan bagian dalam oven setelah pemakaian dengan lap yang sedikit lembap.
2. Bersihkan aksesoris oven dengan cara biasa dalam air sabun.
3. Rangka pintu dan komponen-komponen sekitarnya harus dibersihkan dengan seksama menggunakan lap lembap bila kotor.
4. Jangan menggunakan zat pembersih abrasif yang kasar atau pengikis logam yang tajam untuk membersihkan kaca pintu oven karena dapat menggores permukaan, yang dapat menyebabkan kaca pecah.

Oven ini harus ditanahkan. Bila terjadi hubung singkat listrik, pentanahan mengurangi risiko sengatan listrik dengan menyediakan kawat pelarian bagi arus listrik. Oven ini dilengkapi dengan kabel yang memiliki kawat tanah dengan suatu steker dengan saluran pentanahan. Steker tersebut harus dipasangkan pada suatu stopkontak yang dipasang dan ditanahkan dengan baik.

Hubungilah teknisi listrik atau servis bila instalasi pentanahan tidak dipahami dengan baik atau terdapat keraguan mengenai apakah oven ini telah ditanahkan dengan baik. Bila perlu menggunakan kabel tambahan, gunakan hanya kabel tambahan dengan 3 kawat.

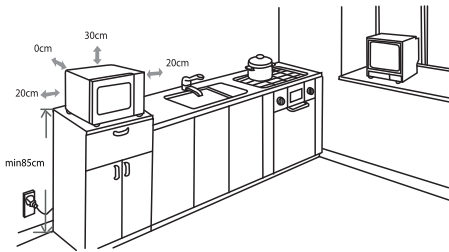
1. Oven ini dilengkapi dengan kabel listrik yang pendek untuk mengurangi risiko terbelit atau tersandung kabel yang lebih panjang.
2. Bila menggunakan kabel atau kabel tambahan yang lebih panjang.
 - 1) Tanda peringkat kelistrikan kabel atau kabel tambahan sekurang-kurangnya harus menunjukkan peringkat yang sama dengan peringkat kelistrikan oven ini.
 - 2) Kabel tambahan tersebut harus berupa kabel 3 kawat dengan pentanahan.
 - 3) Kabel yang panjang harus ditata agar tidak menjuntai dari meja dapur atau permukaan meja sehingga anak-anak dapat menariknya atau tersandung pada kabel.

Instalasi Pada Meja Dapur

Singkirkan semua material dan aksesoris kemasan. Periksa apakah terdapat kerusakan pada oven seperti lekukan atau pintu patah. Jangan dipasang bila oven rusak.

Instalasi

1. Pilihlah permukaan yang menyediakan ruang yang cukup bagi luang ventilasi udara masuk dan /atau keluar.



- (1) Tinggi instalasi minimum adalah 85cm.
- (2) Permukaan belakang oven ini harus dihadapkan ke dinding. Sisakan jarak minimum 30 cm di atas oven, diperlukan jarak minimum 20 cm antara oven dan dinding di sekitarnya.
- (3) Jangan melepaskan kaki-kaki dari bagian bawah oven.

PERALATAN MEMASAK

Lihatlah petunjuk pada bagian "Material yang dapat anda gunakan dalam oven gelombang mikro atau yang harus dihindarkan dari penggunaan dalam oven gelombang mikro". Mungkin terdapat peralatan memasak non-logam yang tidak aman untuk digunakan pada memasak dengan oven gelombang mikro. Bila anda ragu, peralatan memasak tersebut dapat diuji menggunakan prosedur berikut:

Uji Peralatan Memasak:

1. Isilah wadah yang aman untuk gelombang mikro dengan 1 cangkir air dingin (250 ml)

Kabinet: Lepaskan lapisan film pelindung yang ditemukan pada permukaan kabinet oven gelombang mikro. Jangan melepaskan tutup mika berwarna coklat muda yang terpasang pada ruang oven untuk melindungi magnetron.

- (4) Hambatan pada lubang masuk /keluar udara dapat merusak oven.
- (5) Letakkan oven sejauh mungkin dari radio dan TV sebisa mungkin. Operasi gelombang mikro dapat menyebabkan interferensi pada penerimaan radio atau TV anda.
2. Pasang steker oven pada stopkontak listrik standar. Pastikan voltase dan frekuensi yang tersedia sama dengan voltase dan frekuensi pada label oven.

PERINGATAN: Jangan memasang oven di atas kompor atau alat lain yang menghasilkan panas. Bila oven dipasang di atas suatu sumber panas, oven bisa menjadi rusak dan garansinya bisa batal.

Permukaan yang bisa tersentuh dapat menjadi panas saat oven bekerja.



- bersama peralatan memasak yang akan diuji.
2. Masaklah pada daya maksimum selama 1 menit.
 3. Sentuhlah peralatan memasak tersebut dengan hati-hati. Bila peralatan memasak tersebut terasa hangat, jangan gunakan untuk memasak dengan oven gelombang mikro.
 4. Jangan melampaui 1 menit waktu memasak.

Bahan-bahan yang dapat digunakan dalam oven gelombang mikro

Peralatan Memasak	Keterangan
Lembar aluminium.	Hanya untuk penutup. Potongan kecil yang halus dapat digunakan untuk menutup bagian daging atau unggas yang tipis untuk mencegah pemasakan berlebihan. Bunga api bisa terjadi bila lembar aluminium terlalu dekat dengan dinding oven. Lembar aluminium harus berada sekurang-kurangnya 2,5 cm dari dinding oven.
Wadah untuk mematangkan makanan.	Ikuti petunjuk pabrik. Alas wadah pematangan harus berada sekurang-kurangnya 5 mm di atas tadah putar. Penggunaan yang tidak tepat dapat menyebabkan tadah putar pecah.
Wadah keramik	Hanya yang aman untuk oven gelombang mikro. Ikuti petunjuk pabrik. Jangan menggunakan wadah yang retak atau sumbing.
Toples kaca.	Selalu lepaskan tutupnya. Gunakan hanya untuk memanaskan makanan hingga hanya terasa hangat. Sebagian besar toples kaca tidak tahan panas dan dapat pecah.
Wadah kaca.	Hanya gunakan wadah kaca yang tahan panas oven. Pastikan tidak terdapat hiasan logam. Jangan menggunakan wadah yang retak atau sumbing.
Makanan dalam kantong	Ikuti petunjuk pabrik. Jangan mengikat dengan kawat logam. Buat lubang pada kantong agar uap dapat keluar.
Piring dan cangkir kertas	Gunakan hanya untuk memasak /memanaskan untuk waktu singkat. Jangan meninggalkan oven tanpa dijaga saat memasak.
Tisu kertas	Gunakan untuk menutup makanan untuk pemanasan ulang dan menyerap lemak. Gunakan dengan pengawasan hanya untuk memasak jangka pendek.
Kertas perkamen	Gunakan sebagai penutup untuk mencegah cipratan atau sebagai bungkus untuk pengukusan.
Plastik	Hanya yang aman untuk oven gelombang mikro. Ikuti petunjuk pabrik. Seharusnya bertanda " <i>Microwave Safe</i> (Aman untuk Oven Gelombang Mikro)". Beberapa wadah plastik bisa menjadi lunak seiring panasnya makanan di dalamnya. "Kantong untuk merebus" serta kantong plastik kedap harus disayat, ditusuk, atau dilubangi sebagaimana ditunjukkan oleh kemasan.
Bungkus plastik	Hanya yang aman untuk oven gelombang mikro. Gunakan untuk menutup makanan selama memasak untuk mempertahankan kelembapan. Hindarkan bungkus plastik bersentuhan dengan makanan.
Termometer	Hanya yang aman untuk memasak dengan oven gelombang mikro (termometer daging dan termometer gula).
Kertas lilin	Gunakan sebagai penutup untuk mencegah cipratan dan menjaga kelembapan.
Baki aluminium	Dapat menyebabkan lompatan bunga api. Pindahkan makanan ke wadah yang aman bagi oven gelombang mikro.
Karton makanan dengan gagang logam	Dapat menyebabkan lompatan bunga api. Pindahkan makanan ke wadah yang aman bagi oven gelombang mikro.
Logam atau peralatan memasak dari logam	Logam melindungi makanan dari energi gelombang mikro. Hiasan logam dapat menyebabkan lompatan bunga api.
Kawat pengikat logam	Dapat menyebabkan lompatan bunga api dan menyebabkan kebakaran dalam oven.
Kantong kertas	Dapat menyebabkan kebakaran dalam oven.
Busa plastik	Busa plastik dapat mencair dan mengotori cairan di dalam bila terkena temperatur tinggi.
Kayu	Kayu akan menjadi kering bila digunakan dalam oven gelombang mikro dan bisa terbelah atau retak.

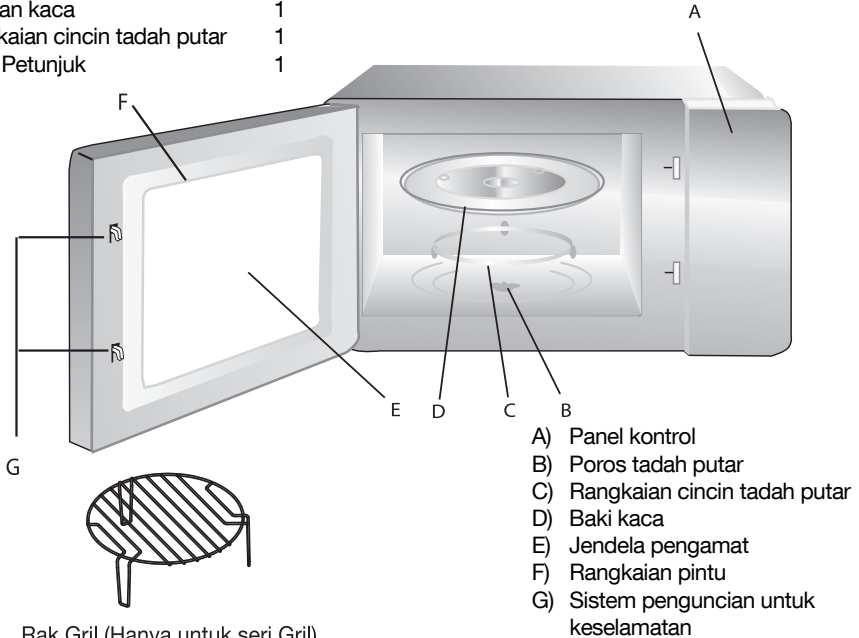
PERSIAPAN OVEN

Nama Komponen-komponen dan Aksesori Oven

Keluarkan oven dan semua material dari karton dan ruang oven.

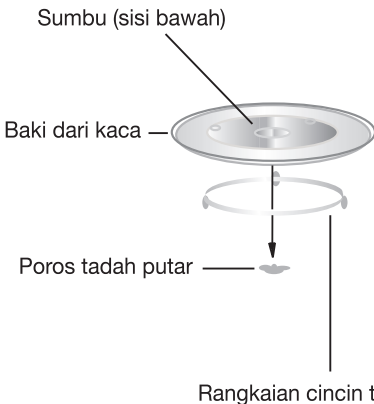
Oven anda dilengkapi dengan aksesori berikut:

Tatakan kaca	1
Rangkaian cincin tadah putar	1
Buku Petunjuk	1



Rak Gril (Hanya untuk seri Gril)

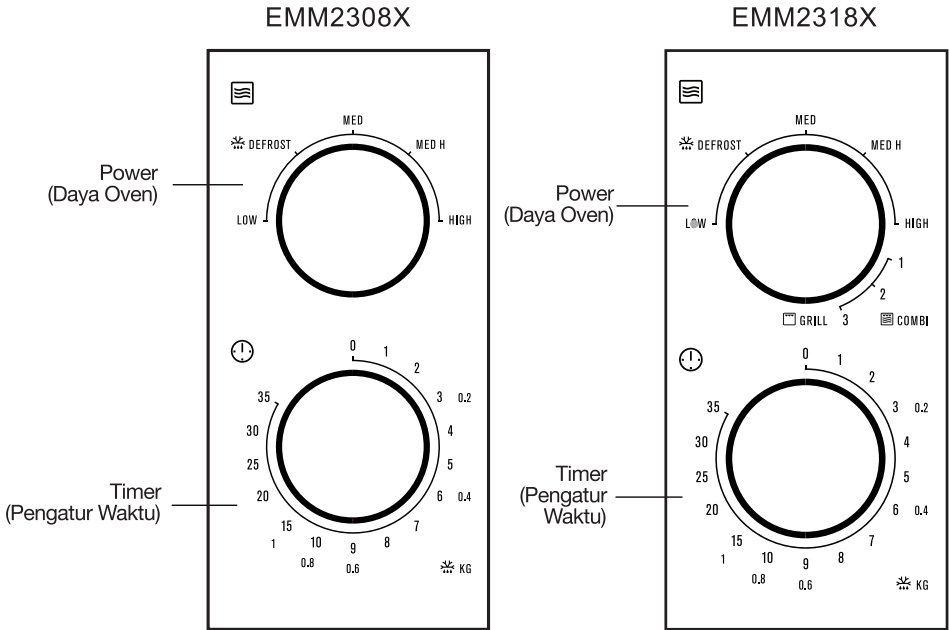
Pemasangan Tadah Putar



- a. Jangan sekali-kali meletakkan baki kaca pada posisi terbalik. Baki kaca tidak boleh terhalang.
- b. Baik baki kaca maupun rangkaian cincin tadah putar harus selalu digunakan selama memasak.
- c. Semua makanan dan wadah makanan harus selalu diletakkan pada baki kaca untuk memasak.
- d. Bila baki kaca atau rangkaian cincin tadah putar retak atau pecah, hubungilah pusat servis resmi terdekat.

OPERASI

Panel Kontrol dan Fitur Petunjuk Operasi



1. Untuk mengatur daya kerja oven, putar tombol daya ke posisi yang diinginkan.
2. Untuk mengatur waktu memasak, putar tombol *timer* (pengatur waktu) sesuai panduan memasak makanan anda.
3. Oven akan mulai memasak secara otomatis setelah tingkat daya dan waktu diatur.
4. Setelah waktu memasak habis, oven akan memberikan nada peringatan untuk berhenti.
5. Bila oven tidak digunakan, selalu atur waktunya ke "0".

Fungsi /Daya	Daya keluaran	Aplikasi
Low (Rendah)	150W	Melunakkan es krim
❄️ (Pencairan makanan beku)	300W	Sup, stew, melunakkan atau mencairkan mentega.
Med. (Sedang)	450W	Stew, ikan
Med. (Sedang) High (tinggi)	600W	Nasi, ikan, ayam, daging giling
High (tinggi)	800W	Memanaskan ulang, susu, mendidihkan air, sayur, minuman

Untuk Seri dengan Gril (EMM2318X)

Fungsi /Daya	Daya keluaran	Aplikasi
Kombi1	80% gril 20% gelombang mikro.	Sosis, Daging Kambing, Kebab, Makanan Laut, Steak
Kombi 2.	70% gril 30% gelombang mikro.	Potongan ayam, dada ayam, potongan daging babi
Combi3	60% gril 40% gelombang mikro.	Ayam utuh
Gril	100% gril	Roti bakar, makanan potongan

Catatan: Saat mengeluarkan makanan dari oven, pastikan daya listrik oven telah dimatikan dengan memutar saklar pengatur waktu ke posisi 0 (nol). Bila hal ini tidak dilakukan dan oven gelombang mikro dinyalakan tanpa ada makanan di dalamnya, dapat terjadi panas berlebih yang dapat merusak magnetron.

Penelusuran masalah

Normal	
Oven gelombang mikro mengganggu penerimaan TV	Penerimaan radio dan TV bisa terganggu saat oven gelombang mikro bekerja. Hal ini serupa dengan interferensi peralatan listrik kecil, seperti <i>mixer</i> , pengisap debu, dan kipas angin. Hal tersebut adalah normal.
Lampu oven redup.	Saat memasak dengan oven gelombang mikro pada daya rendah, lampu oven bisa menjadi redup Hal tersebut adalah normal.
Uap yang terkumpul pada pintu, udara panas keluar dari ventilasi.	Saat memasak, uap bisa muncul dari makanan. Sebagian besar akan keluar melalui ventilasi. Namun sebagian dapat mengumpul pada tempat yang dingin seperti pintu oven. Hal tersebut adalah normal.
Oven menyala secara tidak sengaja tanpa ada makanan di dalam.	Oven tidak boleh dinyalakan bila tidak ada makanan di dalamnya. Hal tersebut sangat berbahaya.

Masalah	Penyebab yang Mungkin	Penyelesaian
Oven tidak bisa dinyalakan.	(1) Steker tidak terpasang erat pada stopkontak.	Cabut steker. Kemudian pasang kembali setelah 10 detik.
	(2) Sekring putus pemutus arus bekerja.	Ganti sekring atau atur ulang pemutus arus (diperbaiki oleh personil profesional dari Electrolux)
	(3) Masalah dengan stopkontak.	Ujilah stopkontak dengan peralatan listrik lainnya.
Oven tidak bisa memanaskan makanan.	(4) Pintu tidak tertutup rapat.	Tutup pintu oven dengan rapat.
Tadah putar kaca akan menimbulkan bunyi saat oven gelombang mikro bekerja.	(5) Sandaran rol dan bagian bawah oven kotor.	Lihat bagian "Perawatan Oven Gelombang Mikro" mengenai cara membersihkan komponen-komponen yang kotor.

RoHS Compliant.

Informasi mengenai Lingkungan Hidup

Bila pada saat apapun di masa mendatang produk ini akan dibuang, JANGAN membuang produk ini bersama limbah rumah tangga. Harap kirimkan produk ini ke titik pengumpulan sampah peralatan listrik dan elektronik bila tersedia.

Produk ini memenuhi aturan RoHS.

DATA TEKNIK

Model:	EMM2308X	EMM2318X
Tegangan Pengenal:	Lihat label oven	Lihat label oven
Daya Masukan Pengenal (Gelombang Mikro):	1250W	1250W
Daya Keluaran Pengenal (Gelombang Mikro):	800W	800W
Daya Masukan Pengenal (Gril):		1000W
Kapasitas Oven:	23L	23L
Diameter Tadah Putar:	Ø 270mm	Ø 270mm
Dimensi Eksternal:	485x370x292,5mm.	485x370x292,5mm.
Berat Bersih:	Sekitar 13,2 kg	Sekitar 13,7 kg

PUSAT LAYANAN PELANGGAN

<p>Thailand Telepon: (+66 2) 725 9000 Electrolux Thailand Co., Ltd. 14th Floor, 1910 New Petchburi Road Bangkapi, Huay Kwang Bangkok 10320</p>	<p>Vietnam Panggilan Bebas Biaya: (1800 -58) -88 -99 Telepon: (+84 8)3910 5465 Electrolux Vietnam Ltd . AB Tower, 9th Floor 76 Le Lai Street, District 1 Ho Chi Minh City</p>
<p>Indonesia Telepon: (+62 21) 522 7180 PT. Electrolux Indonesia Plaza Kuningan Menara Utara Suite 201 Jl. HR. Rasuna Said Kav. C 11-14 Jakarta 12940 Depdag No. I.43.El7.00401.0911</p>	<p>Philippines Panggilan Lokal Bebas Biaya: 1-800-10-845-care 2273 Saluran Langsung Layanan Pelanggan: (+63 2) 845 care 2273 10th Floor. W5th Avenue Building 5th Avenue Corner 32nd Street Bonifacio Global City, Taguig Philippines 1634 Trunkline: +63 2 737- 4756</p>
<p>Singapore Telepon: (+65) 6507 8699 e-mail: customer-care.sin@electrolux.com Electrolux S.E.A Pte. Ltd. 11 Lorong 3 Toa Payoh, Jackson Square Block B, #01-13/14/15 Singapore 319579</p>	<p>Malaysia Panggilan Bebas Biaya: (1300 -88) -11 -22 Telepon: (+60 3) 7843 5999 e-mail: customer.care@electrolux.com.my Electrolux Home Appliances Sdn. Bhd. 7th Floor, Tower 2, Jaya 33, No 3. Jalan Semangat, Seksyen 13, 46100 Petaling Jaya, Selangor</p>

www.electrolux.com

Inovator Desain yang Penuh Perhitungan

Ingatkah anda saat terakhir anda membuka suatu hadiah yang menyebabkan anda berkata, " Oh! Bagaimana anda tahu? Memang ini yang saya inginkan!" Perasaan seperti itulah yang dicari oleh kami di Electrolux untuk dibangkitkan pada setiap orang yang memilih atau menggunakan salah satu produk kami. Kami mendedikasikan waktu, pengetahuan, dan sejumlah besar pemikiran untuk mengantisipasi dan menciptakan jenis peralatan yang benar-benar diperlukan dan diinginkan para pelanggan kami.

Kepedulian penuh pemikiran seperti ini berarti berinovasi dengan wawasan. Bukan desain untuk sekadar desain, namun desain untuk kepentingan pengguna. Bagi kami, desain penuh pemikiran berarti membuat alat lebih mudah digunakan bagi kami dan tugas-tugas lebih menyenangkan untuk dilaksanakan, membebaskan para konsumen kami untuk merasakan kemewahan puncak abad 21: kemapanan. Tujuan kami adalah agar ketenangan pikiran ini makin tersedia bagi lebih banyak orang di berbagai kegiatan hidupnya, di seluruh dunia.

Janji "Thinking of you" dari Electrolux lebih dari sekadar memenuhi kebutuhan pelanggan kami saat ini. Janji tersebut juga berarti kami berkomitmen menjadikan peralatan lebih aman bagi lingkungan - saat ini dan di masa mendatang.

Electrolux. Thinking of you.

Temukan lebih banyak tentang pemikiran kami di

www.electrolux.com

目录

使用微波炉前必读	2
重要安全信息	2
安装	4
餐具导读	5
设定您的微波炉	7
操作	8
故障排除	10
技术参数	11
客户服务中心	12

目录

为了让您体验该 Electrolux 新微波炉的最佳功效，使用前请仔细阅读我们精心为您准备的以下说明。请妥善保管该使用说明书，以备后用。当您将该电器出售或转让给其他人时，或您搬家了将该电器留下时，请将该说明书与微波炉放在一起，以便该电器的新主人可以熟悉该电器的功能及相关的警告信息。在使用该电器前，请仔细阅读本《使用说明书》，并按照说明书中的建议进行操作。

警告

- 液体和其它食物不可放在封闭容器中加热，因为容易引起爆炸。
- 只有专业人员才可以进行与微波炉盖拆卸相关的服务或维修操作，微波炉盖用于防止微波炉内微波能量的泄露。其他任何人进行此操作均有可能导致危险事故的发生。
- 只有在对儿童进行了充分的指导后，才允许其独立使用微波炉，这样才能确保其能够安全使用微波炉并了解不当操作所带来的危险。
- 当该电器在组合模式下操作时，只有成人在场时，儿童才可以操作微波炉，因为微波炉会产生高温（仅适用于烧烤系列）。
- 只可使用适合用于微波炉的餐具。
- 需定期清洗微波炉并将炉腔内储存的食物取出。
- 请阅读并遵守以下的特别说明：“防止可能接触过多微波能量的预防措施”。
- 在塑料容器或纸容器中加热食物时，可能会着火，请注意观察微波炉的情况。
- 若发现冒烟，请关掉该电器或拔出插头，让微波炉的门保持关闭，使火苗熄灭。
- 请勿将食物烘烤过度。
- 请勿将炉腔用于储存食物。请勿在微波炉内储存如面包、饼干之类的东西。
- 将纸质或塑料容器放入微波炉前，请将上面的金属扎线和金属把柄去掉。
- 请按照所附的安装说明来安装或放置该微波炉。
- 带壳的蛋及整个煮熟的蛋不可放在该电器中进行加热，因为即便是在微波加热结束后，也可能会引起爆炸。
- 该电器仅可用于该说明书中列明的用途。请勿将腐蚀性化学制品或蒸汽用在该电器上。该微波炉经特别设计进行加热，但非设计用于工业或实验室使用。
- 若电源线损坏，必须由生产商、生产商的服务代理或类似的专业人员进行更换，以免造成危险。
- 请勿在室外存放或使用该电器。
- 请勿在靠近水源的地方、潮湿的地下室或游泳池旁边使用该电器。

- 当微波炉正在工作时，可触表面的温度可能会比较高。使用期间，微波炉的表面容易变热。电源线请勿靠近热表面，请勿在微波炉上覆盖任何物体。
- 请勿将电源线悬挂在桌子或柜台边缘的上方。
- 若未保持该电器的清洗状态，可能会导致表面质量恶化，从而对该电器的使用寿命造成不良影响，甚至可能会导致危险情况的发生。
- 需将奶瓶或婴儿食品罐中的食物进行搅拌或摇晃，食用前需感觉一下温度，防止婴儿烫伤。
- 微波加热饮料可能会导致延时沸腾，因此拿放饮料容器时需注意安全。
- 身体、知觉或精神方面有缺陷或缺乏经验和知识的人员（包括儿童）需在成人监督或指导或有人负责其安全的情况下方可使用该电器。
- 需看管好孩子们，不让他们玩这台电器。
- 该电器不可与外部计时器或单独的远程控制系統连接操作。
- 使用微波炉期间，可触部件可能会变热。请勿让小孩靠近。
- 无需使用蒸汽清洗装置。
- 该电器使用期间会变热。请注意不要触摸微波炉内的加热元件。
- 仅可使用本微波炉推荐使用的温度探针。（适用于附带了使用热敏探针设备的微波炉。）
- 该电器的后表面需靠墙放置。
- 除专业服务人员外，任何其他人都不允许执行与微波炉盖拆卸相关的服务或维修操作，微波炉盖用于防止微波炉内微波能量的泄露。
- 该电器使用期间会变热。请注意不要触摸微波炉内的加热元件。
- 该电器及可触部件在使用时会变热。请注意不要触摸加热元件。若非全程看管，小于8岁的儿童需远离该电器。
- 若该微波炉未放在橱柜中进行测试，则不可将该微波炉放置在该橱柜中使用。

警告

- 更换微波炉灯前需确保该电器已经关闭，防止触电。

注意

- 若该微波炉未保持良好的清洗状态，其表面可能发生质量恶化，将影响该微波炉的使用寿命及操作安全。

安装

接地安装危险

危险

触电危险，触摸内部元件可能导致严重的人员伤亡。

请勿拆卸该电器。

该电器必须接地。发生短路时，接地可以提供一条电流逃跑路径，从而降低触电的风险。本电器配有一条电源线，上面有一个带接地式插头的接地线。该插头必须插入正确安装且接地的插座中。



触电危险，接地方法不正确可能引起触电。在该电器正确安装和接地前，请勿将插头插入插座中。

若没有完全理解接地说明或不确定该电器是否已经正确接地，请咨询专业电工或服务人员。若需使用延长电源线，仅可使用三线延长线。

清洗

请确保该电器的电源插头已经拔出。

1. 使用后，用一块稍稍潮湿的抹布清洗微波炉的内部。
2. 在肥皂水中清洗配件。
3. 微波炉门框和密封及周围的部件弄脏时，需用一块湿布仔细清洗。
4. 请勿使用强研磨性清洁剂或锋利的金属刮刀清洗玻璃门，因为这些东西可能会擦伤表面，可能会引起玻璃碎裂。

1. 提供的电源线较短，可减低被较长电源线缠住或绊倒的风险。
2. 若使用较长的电源线或延长电源线：
 - 该较长电源线或延长电源线上标记的额定电功率至少与该电器的额定电功率一样大。
 - 延长电源线必须为接地型三线电源线。
 - 布置延长电源线时，需注意不要将其搭在孩子可以触摸到或容易无意中绊倒的柜台上或桌面等地方。

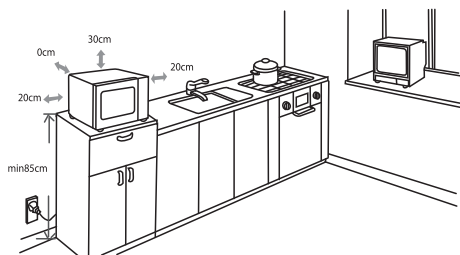
台面安装

取出所有的包装材料及配件。检查微波炉是否有破损，如压痕或微波炉门破损。若微波炉有破损，请勿安装。

橱柜：掀掉微波炉橱柜表面的所有保护膜。请勿去除附在炉腔上的浅褐色云母片，这是用来保护磁控管的。

安装

1. 选择一个具有足够大的开放空间的水平面进行安装，预留进风口和/或出风口的空间。



- 最低安装高度为85cm。
- 该电器的后表面需靠墙放置。微波炉的上方需至少预留30cm的间隔。微波炉与旁边的墙面之间至少需要20cm的间隔。
- 请勿将微波炉底部的支架取出。

- 堵塞进风口和/或出风口会损坏微波炉。
 - 将微波炉放置距收音机和电视越远越好。操作微波炉可能会干涉您的收音机或电视信号的接收。
 - 将您的微波炉插入标准家用插座中。请确保电压和频率与额定值标签上的电压和频率一致。
2. 将您的微波炉插入标准家用插座中。请确保电压和频率与额定值标签上的电压和频率一致。

警告：请勿将微波炉安装在炉灶面范围或发热电器的上方。若将其安装在热源附近或上方，可能会损坏微波炉，不能享受保修。

微波炉操作期间，
可触表面可能会变热。



餐具

请参阅“微波炉内可以使用或避免使用的餐具”。可能有些非金属餐具，在微波炉中使用是不安全的。若有任何疑问，请按照下列步骤检验存在疑问的餐具。

餐具检验：

1. 往适合用于微波炉的容器内注入一杯冷水（250ml），将存在疑问的餐具也放入该容器中。
2. 在最大功率模式下烹饪一分钟。
仔细感觉一下该餐具，若该空餐具是温的，请勿将其用于微波炉中。
3. 烹饪时间请勿超过一分钟。

可以用于微波炉的材料

餐具	备注
铝箔	仅起保护作用。小片的光滑铝箔片可用于包裹小片的肉类或家禽肉类，可防止烘焙过度。若铝箔离微波炉壁太近的话，有可能产生电弧现象。铝箔与微波炉壁之间的距离至少需为2.5cm。
棕色大圆盘	按照生产商的说明进行操作。棕色大圆盘的底部距转盘至少5mm之上。用法不正确可能导致转盘破裂。
整套的餐具	仅使用微波安全的餐具。按照生产商的说明进行操作。请勿使用破裂或有缺口的碟子。
玻璃罐	需要打开盖子。仅使用微波炉将食物加热到温热。大部分玻璃罐不耐热，可能会破裂。
玻璃器皿	仅使用耐热性微波炉玻璃器皿。请确保这些器皿无金属边缘。请勿使用破裂或有缺口的碟子。
微波炉烹饪袋	请按照生产商的说明进行操作。请勿用金属扎带缠住袋口。留一条缝隙让蒸汽跑出来。
纸盘或纸杯	仅使用短时间烹饪模式/加热模式。使用微波炉烹饪食物时，需要有人在场。
纸巾	用于包裹食物加热或吸油。仅在有人在场的情况下使用短时烹饪模式。
烤盘纸	用作盖子，防止液体飞溅或包裹住蒸汽。
塑料	仅使用微波安全型材料。请按照生产商的说明操作。标签上需注有“微波安全”的字样。随着容器内的食物慢慢加热，一些塑料容器会软化。“沸腾袋”及包装严实的塑料袋需按包装上所示的方法留一条缝，刺穿或开一个孔。
保鲜膜	仅使用微波安全型材料。用于包裹食物，烹饪期间锁住水分。请勿让保鲜膜接触食物。
温度计	仅使用微波安全型材料（肉类和糖果温度计）。
蜡纸	用作盖子，防止液体飞溅，锁住水分。
铝盘	可能引起电弧作用。将食物转移到微波安全型碟子中。
带金属手柄的食品纸盒	可能引起电弧作用。将食物转移到微波安全型碟子中。
金属餐具或带金属边饰的餐具	金属保护食物免受微波能量的影响。金属边缘可能引起电弧作用。
金属扎线	可能引起电弧作用，可能导致微波炉内起火。
纸袋	可能导致微波炉内起火。
泡沫塑料	置于高温环境时，保鲜膜可能会融化或沾污里面的液体。
木制品	木制品放在微波炉内使用时会变干，可能会开裂或破裂。

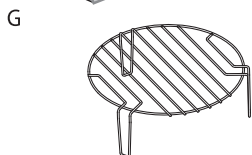
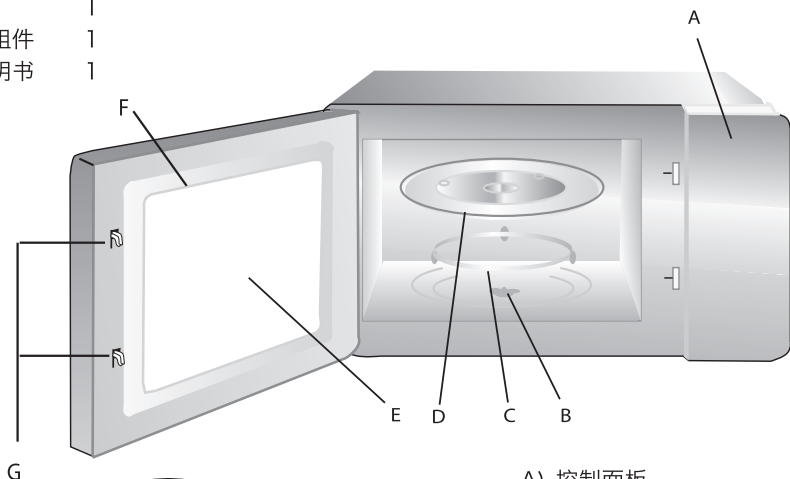
设定您的微波炉

微波炉部件及配件的名称

取出纸板箱和微波炉及炉腔中的所有材料。

您的微波炉配有以下配件：

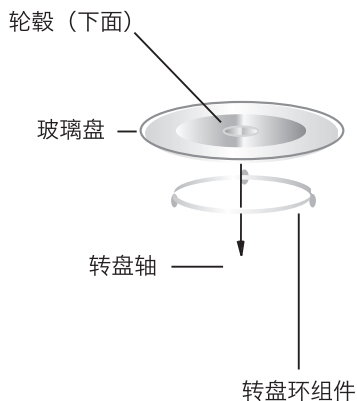
玻璃盘	1
转盘环组件	1
使用说明书	1



烧烤架（仅限烧烤系列）

- A) 控制面板
- B) 转盘轴
- C) 转盘环组件
- D) 玻璃盘
- E) 观察窗
- F) 微波炉门组件
- G) 安全连锁系统

转盘安装

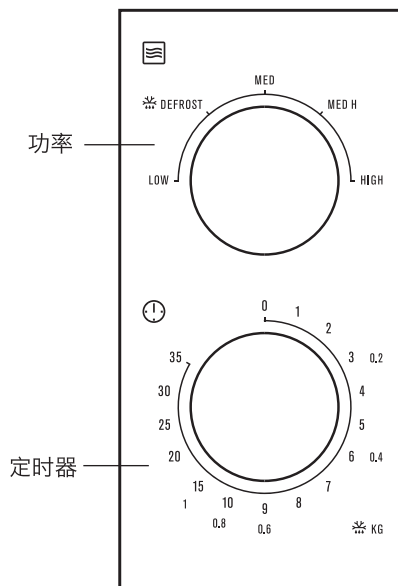


- a. 请勿将玻璃盘倒置。玻璃盘不可受到任何限制。
- b. 烹饪过程中必须使用玻璃盘和转盘环组件。
- c. 烹饪时，通常将所有的食物和食物容器放置在玻璃盘上。
- d. 若玻璃盘或转盘环组件破裂或破损，请联系与您最近的授权服务中心。

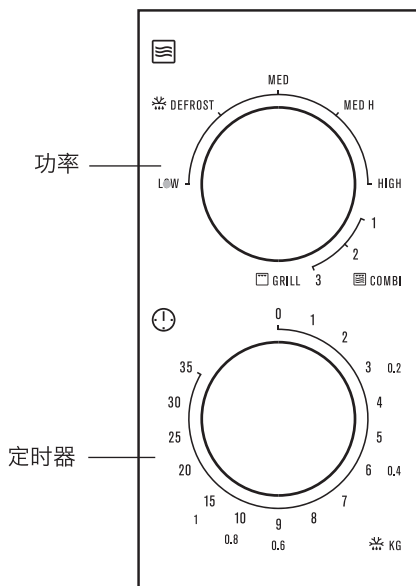
操作

控制面板及特征 操作说明

EMM2308X



EMM2318X



1. 将功率旋钮旋转至您希望选择的档位，设定烹饪功率。
2. 按照食物烹饪指南，将定时器旋钮旋至您想要烹饪的时间，设定烹饪时间。
3. 功率等级和时间设定好了以后，微波炉会自动开始烹饪。
4. 烹饪时间到了以后，该电器会发出“咚”的声音，并停止烹饪。
5. 微波炉不使用时，请将定时器设置为“0”。

功能/功率	输出	应用
低	150W	软化冰激凌
 (解冻)	300W	炖汤、软化黄油或解冻
中	450W	炖鱼
中高	600W	米饭、鱼肉、鸡肉、碎肉
高	800W	重新加热牛奶、开水、蔬菜、饮料

烧烤系列 (EMM2318X)

功能/功率	输出	应用
组合1	80%烧烤20%微波	香肠、羊肉、串烧、海鲜、牛排
组合2	70%烧烤30%微波	鸡块、鸡胸、猪排
组合3	60%烧烤40%微波	整鸡
烧烤	100%烧烤	烤面包、切片食物

注意： 当您从微波炉中取出食物时，请将定时开关旋至0（零），确保切断微波炉的电源。

如果不这样做，在微波炉中无食物时操作微波炉可能导致加热过度，损坏磁控管。

故障排除

正常	
微波炉干涉电视接收	操作微波炉可能会干涉收音机或电视。该原理与如搅拌机、真空吸尘器和电风扇等小电器的干涉类似。这属于正常现象。
微波炉灯昏暗	在低功率微波烹饪状态下，微波炉指示灯可能会变暗。这属于正常现象
蒸汽在微波炉门上聚集，通风孔排出热空气。	烹饪过程中，食物中可能产生蒸汽。大多数蒸汽从通风孔排出，有一些水蒸气可能会在比较凉的地方凝结，如微波炉门。这属于正常现象。
微波炉内无食物时意外启动。	微波炉内无食物时，禁止操作该微波炉。这样做是很危险的。

故障	可能的原因	解决办法
微波炉无法开启	电源线没有插紧	拔出插头。10秒后再插入。
	保险丝熔断或断路器起作用了。	更换保险丝或将断路器复位（由我公司的专业人员修理）
	插座有问题。	用其它电器测试插座。
微波炉无法加热	微波炉门没有关好	将微波炉门关好。
操作微波炉时，玻璃转盘发出噪音	辊架或微波炉底部脏了。	请参阅“微波炉维护”的有关说明来清洗脏的部件。

RoHS
Compliant.

环境信息

若将来您需要处置该电器，请勿将该电器作为家庭垃圾进行处置。请将该电器送至附近的收集点。

本电器符合《电气、电子设备中限制使用某些有害物质指令》标准。

技术参数

型号	EMM2308X	EMM2318X
额定电压	请查看额定值标签	请查看额定值标签
额定输入功率 (微波)	1250W	1250W
额定输出功率 (微波)	800W	800W
额定输入功率 (烧烤)		1000W
微波炉容量	23L	23L
转盘直径	Ø 270mm	Ø 270mm
外径	485 x 370 x 292.5 mm	485 x 370 x 292.5 mm
净重	约13.2kg	约13.7kg

客户服务中心

<p>泰国 电话: (+66 2) 725 9000 泰国 Electrolux 有限公司 14th Floor, 1910 New Petchburi Road Bangkok, Huay Kwang Bangkok 10320</p>	<p>越南 免费电话: 1800-58-88-99 电话: (+84 8) 3910 5465 越南 Electrolux 有限公司 AB Tower, 9th Floor 76 Le Lai Street, District 1 Ho Chi Minh City</p>
<p>印度尼西亚 电话: (+62 21) 522 7180 印度尼西亚 Electrolux 公司 Plaza Kuningan Menara Utara Suite 201 Jl. HR. RasunaSaid Kav. C11-14 Jakarta 12940 Depdag No. I.43.EI7.00401.0911</p>	<p>菲律宾 国内免费电话: 1-800-10-845-转 2273 客户服务热线: (+63 2) 845 转 2273 10th Floor, W5th Avenue Building 5th Avenue Corner 32nd Street Bonifacio Global City, Taguig Philippines 1634 Trunkline: +63 2 737- 4756</p>
<p>新加坡 电话: (+65) 6507 8699 传真: (+65) 63565489 e-mail: customer-care.sin@electrolux.com Electrolux S.E.A私人有限公司 11 Lorong 3 Toa Payoh, Jackson Square Block B, #01-13/14/15 Singapore 319579</p>	<p>马来西亚 国内免费电话: 1300-88-11-22 电话: (+60 3) 7843 5999 e-mail: customer.care@electrolux.com.my Electrolux 家用电器有限公司 7th Floor, Tower 2, Jaya 33, No.3, Jalan Semangat, Seksyen 13, 46100 Petaling Jaya, Selangor, Malaysia.</p>

www.electrolux.com

贴心设计理念的创新先锋

您是否还记得上次您打开一份称心礼物时的喜悦，“噢！你怎么知道这正是我想要的礼物呢！”这正是我们 Electrolux 想要唤起每个选择或使用我们产品的客户的心声。我们投入了大量的时间、精力和创新理念去发明生产我们的客户真正需要的电器产品。

这种贴心的关怀是指洞察力的创新。不是为设计而设计，而是为用户而设计。对于我们来说，贴心设计是指让我们的电器使用起来更加容易，操作起来更令人愉快，让我们的客户可以自由地享受到二十一世纪的终极奢侈体验：省心。我们的目标是让全世界更多的人在日常生活中的方方面面更加省心。

Electrolux “为您着想”的承若不仅仅意味着满足现在的客户的要求，也同时意味着我们将一直致力于让我们的电器满足现在及将来的环境安全的要求。

Electrolux 为您着想

欲了解更多 Electrolux 理念，请访问

www.electrolux.com

